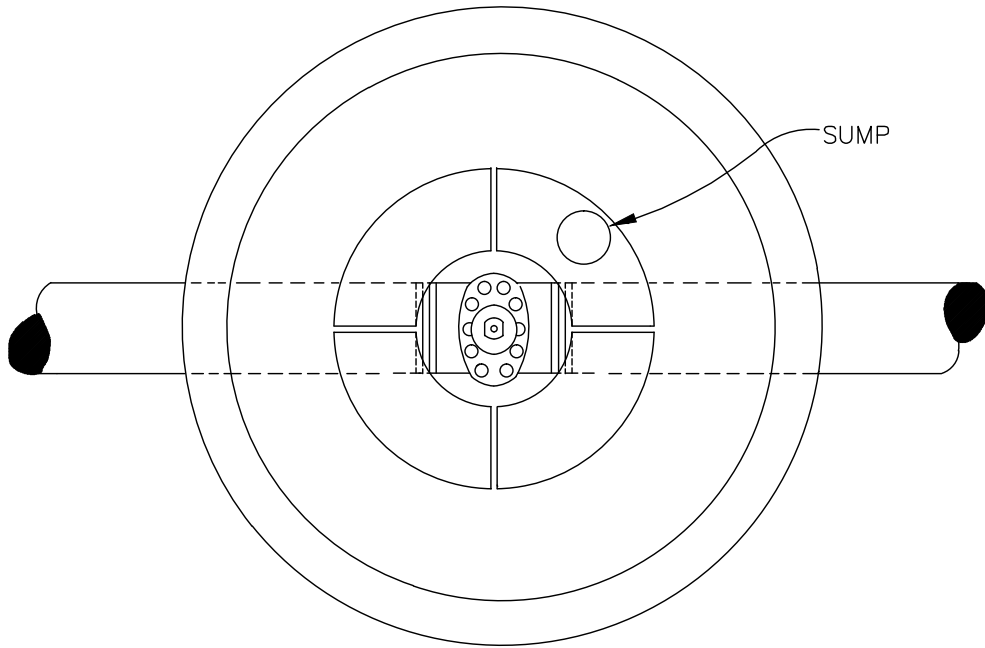
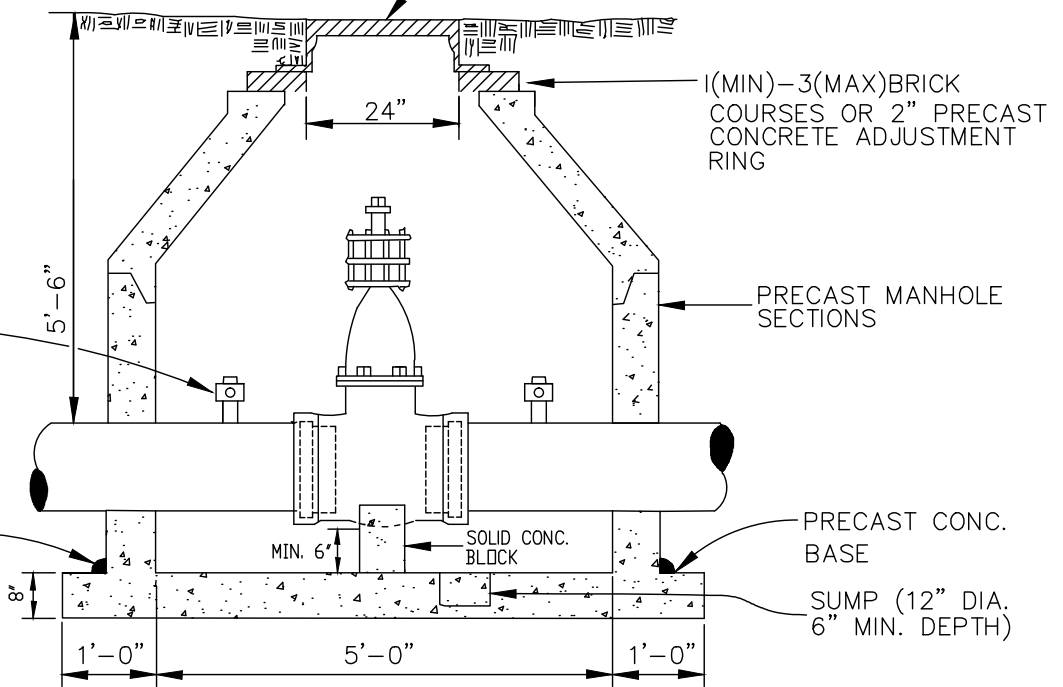


PLAN-VIEW



SUMP

CASTING AS SPECIFIED



1(MIN)-3(MAX)BRICK COURSES OR 2" PRECAST CONCRETE ADJUSTMENT RING

PRECAST MANHOLE SECTIONS

PRECAST CONC. BASE

SUMP (12" DIA. 6" MIN. DEPTH)

1" CORPORATION FOR TESTING PURPOSES(TYP) BY UTILITIES DEPT. AT CONTRACTOR'S EXPENSE

MORTAR FILLET

MIN. 6"

SOLID CONC. BLOCK

NOTE: ALL LIFT HOLES AND JOINTS SHALL BE MORTARED BOTH INSIDE AND OUTSIDE.

NOTE : NO STEPS PERMITTED

VALVE CHANGED TO PUSH-ON	1	NCF	CCS	1-31-94
REVISIONS	REV. NO.	DR. BY	CH. BY	DATE
PUBLIC SERVICES DEPARTMENT CITY OF ANN ARBOR				
GATE WELL FOR MAIN 12" AND SMALLER				
DR. BY	D.F.	CH. BY	C.S.S.	DRAWING NO.
SCALE	NONE	DATE	11-6-92	SD-W-3
INCH	0 1			SHEET NO. ____ OF ____