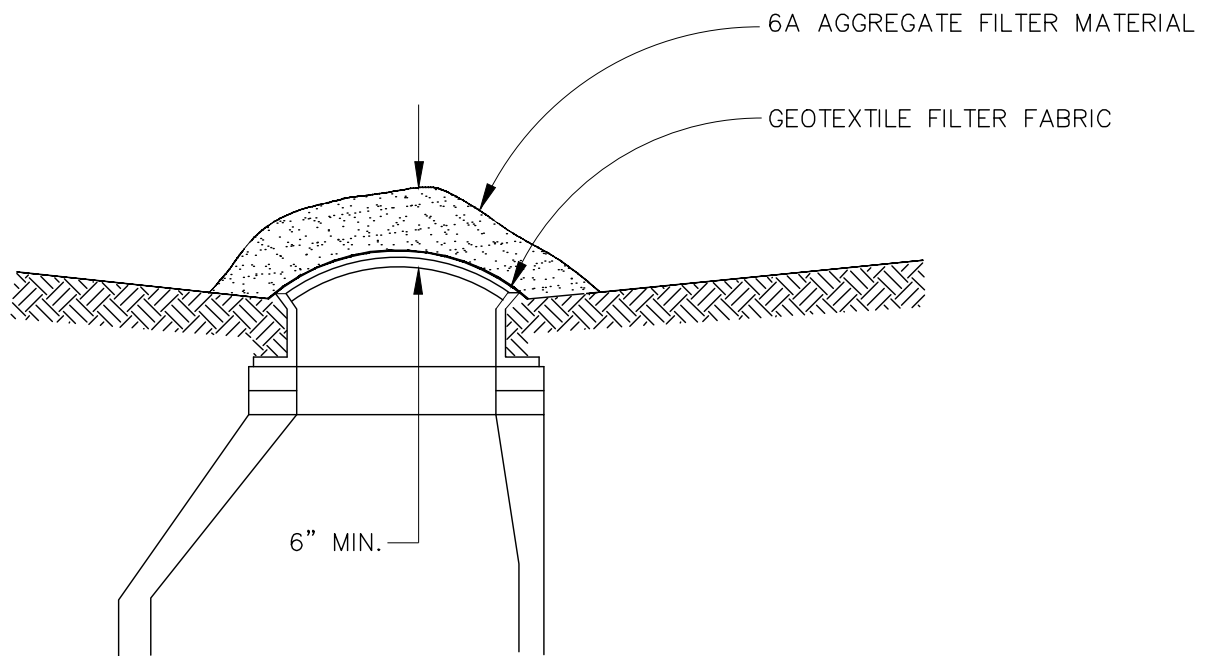


PLAN VIEW



SECTION A-A

REVISIONS				
	REV. NO.	DR. BY	CH. BY	DATE
PUBLIC SERVICES DEPARTMENT				
CITY OF ANN ARBOR				
STONE FILTER				
DR. BY	DF	CH. BY	CSS	DRAWING NO.
SCALE	NONE	DATE	11-6-92	SD-EC-2
INCH				SHEET NO. ____ OF ____