



CITY OF ANN ARBOR PROJECT MANAGEMENT

NOTES

FOR PROTECTION OF UNDERGROUND UTILITIES AND IN CONFORMANCE WITH PUBLIC ACT 174 OF 2013, THE CONTRACTOR SHALL CALL 811 OR 1-800-482-7171 A MINIMUM OF THREE FULL WORKING DAYS, EXCLUDING SATURDAYS, SUNDAYS, AND HOLIDAYS, PRIOR TO BEGINNING EACH EXCAVATION IN AREAS WHERE PUBLIC UTILITIES HAVE NOT BEEN PREVIOUSLY LOCATED. MEMBERS WILL THUS BE ROUTINELY NOTIFIED. THIS DOES NOT RELIEVE THE CONTRACTOR OF THE RESPONSIBILITY OF NOTIFYING UTILITY OWNERS WHO MAY NOT BE A PART OF THE "MISS DIG" ALERT SYSTEM.

THE UNDERGROUND LOCATIONS SHOWN FOR NATURAL GAS, TELEPHONE, ELECTRICAL POWER, CABLE TV AND FIBER OPTIC LINES ARE APPROXIMATE. THE CITY OF ANN ARBOR ASSUMES NO RESPONSIBILITY FOR THEIR ACCURATE REPRESENTATION IN THIS DRAWING. MISS DIG MUST BE CONTACTED PRIOR TO CONSTRUCTION TO LOCATE THESE UTILITIES.

THE IMPROVEMENTS COVERED BY THESE PLANS SHALL BE PERFORMED IN ACCORDANCE WITH THE MICHIGAN DEPARTMENT OF TRANSPORTATION 2012 STANDARD SPECIFICATIONS FOR CONSTRUCTION (INCLUDING REFERENCED M.D.O.T. PUBLICATIONS) AND THIS PROJECT'S CONTRACT DOCUMENT

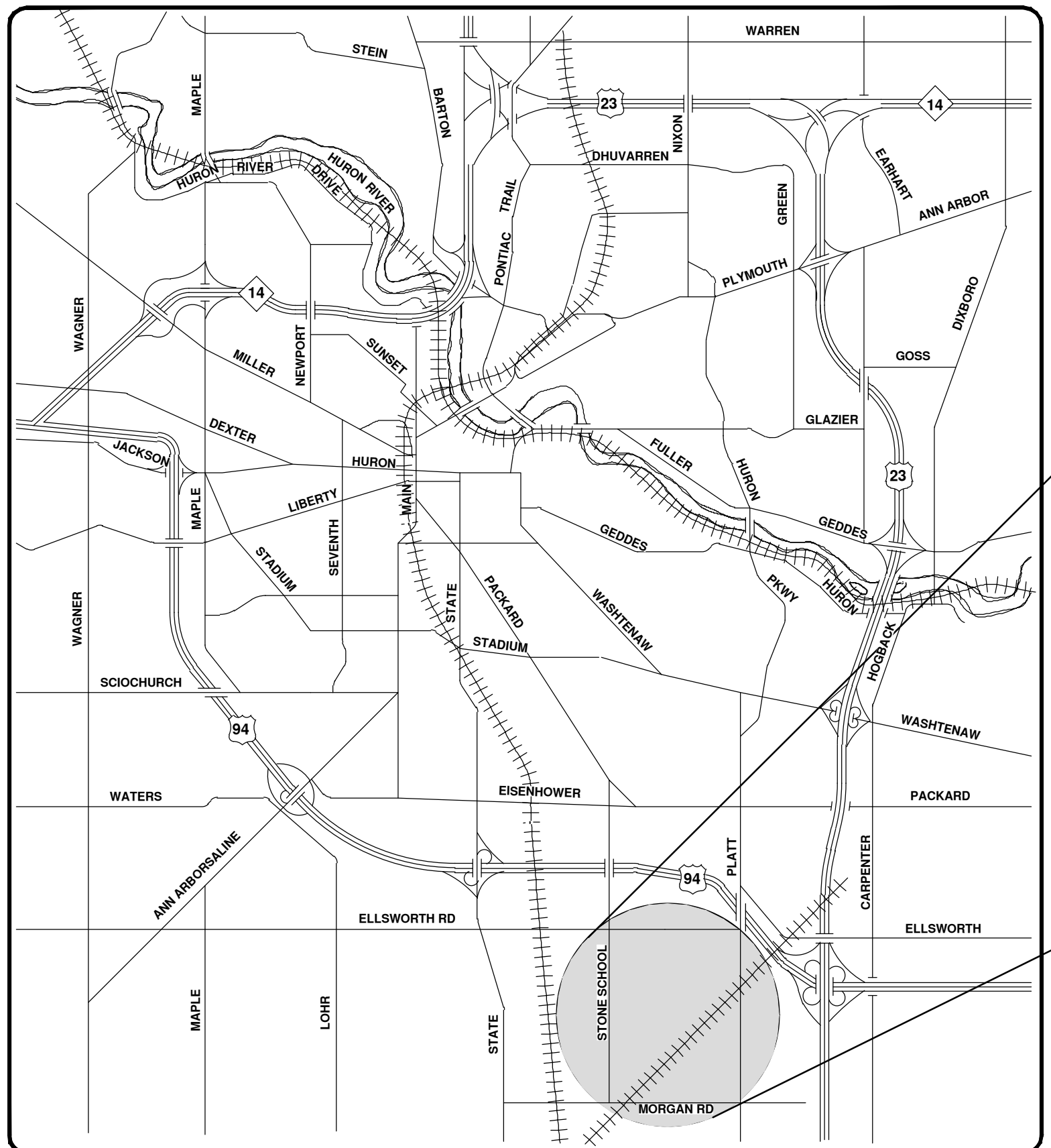
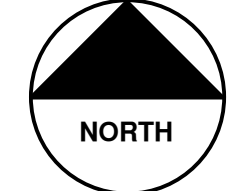
THE PROPOSED IMPROVEMENTS COVERED BY THESE PLANS ARE DESIGNED IN ACCORDANCE WITH THE LOCAL AGENCY PROGRAMS GUIDELINES FOR GEOMETRICS ON LOCAL AGENCY PROJECTS 2017 EDITION, 2012 A.A.S.H.I.O. "GUIDE FOR PLANNING, DESIGN, AND OPERATION OF BICYCLE FACILITIES", AND THE TRAFFIC CONTROL IN ACCORDANCE WITH THE 2011 "MICHIGAN MANUAL OF UNIFORM TRAFFIC CONTROL DEVICES".

PHASE 2 - HMA SHARED USE PATH

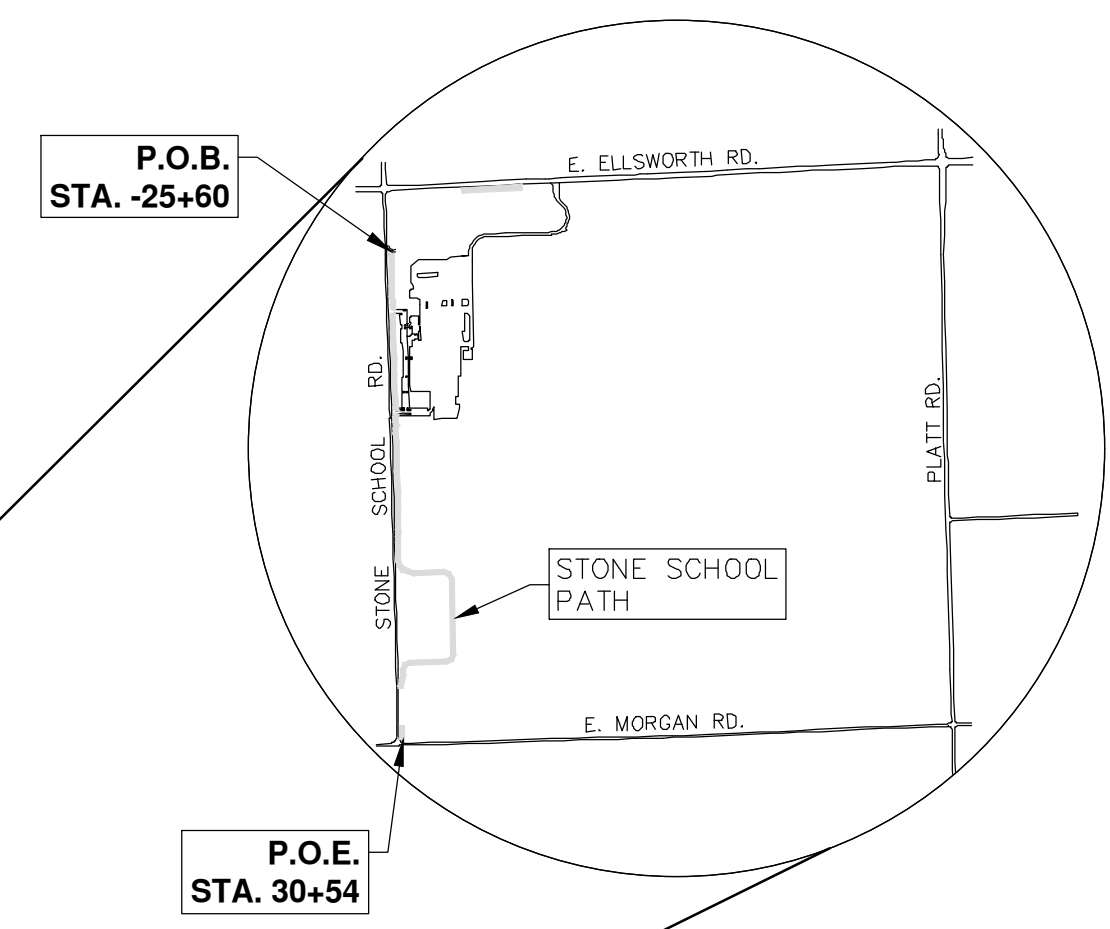
W.R. WHEELER (SWIFT RUN) SERVICE CENTER PUD NON-MOTORIZED IMPROVEMENTS

BID No. 4569, FILE No. 2014031

SHEET LIST TABLE	
SHEET NUMBER	SHEET TITLE
1	COVER SHEET
2	NOTES AND LEGEND
3 - 4	DETAILS
5	SOIL EROSION NOTES AND DETAILS
6 - 13	STONE SCHOOL ROAD SHARED USE PATH
14	PATH DRAINAGE AREA MAP



VICINITY MAP



SITE PLAN FILE NO.: CSPA 15-09

PROJECT MANAGEMENT SERVICE UNIT

PREPARED UNDER THE SUPERVISION OF

DAVID ARTHUR DYKMAN, P.E. - MI LICENSE No. 52912
 PROJECT MANAGER

DATE: 03 / 05 / 2019

CITY OF ANN ARBOR
PUBLIC SERVICES
301 EAST HURON STREET
ANN ARBOR, MI 48106-1000
734.774.4410
www.a2gov.org

811
Know what's below.
Call before you dig.

REV.	DESCRIPTION	DATE	DRAWN	CHECKED
01	MCWRC COMMENTS	3-9-18	CEC	DAD
00	REVIEW SET	1-6-17	CEC	DAD

APPLICATION FOR AMENDMENT TO APPROVED PUD FINAL SITE PLAN FOR THE CITY OF ANN ARBOR SWIFT RUN SERVICE CENTER AREA PLAN (RZ 04-01 & ANN ARBOR MAINTENANCE FACILITY FINAL SITE PLAN CSPA 04-21). RZ 04-01 AND CSPA 04-21 WERE APPROVED BY THE PITTSFIELD TOWNSHIP BOARD IN 2004, UPDATED IN 2008 (RZ08-01)

SCALE: _____ DRAWING No. 2014031-1 SHEET No. 1 OF 14

R: \2014031 Wheeler Center PUD\Plan Production\Construction Set\2014031Cov2.dwg - _a2_standard.bw.stb - Plot Date: 3/5/2019 1:56:50 PM

© PHASE 2 - HMA SHARED USE PATH; BID No. 4569; 2014031

CONSTRUCTION NOTES:

- Driveways and entrances to buildings, real property, and the like shall not be blocked except for short durations and only when approved by the Engineer. Vehicular and pedestrian access shall be maintained at all times. It shall be the Contractor's responsibility to coordinate all necessary driveway closures with the property owner(s) and resident(s) in the areas of construction.
- The location and depth of all existing utilities and service leads are to be field verified by the Contractor prior to construction.
- Location and depth of utilities as depicted on the plans is approximate and shown according to the best information available. It is the Contractor's responsibility to excavate ahead and adjust depth of conflict utilities accordingly. Any damage to utilities is the Contractor's responsibility to avoid and/or repair as necessary.
- During non-working hours no trench shall remain open; any open trench shall be properly secured with protective fencing. This work shall be included in the item of work "General Conditions".
- Postal delivery and refuse pickup service shall be maintained at all times by the Contractor.
- Where street curbs are undermined due to construction activities, they shall be removed and replaced as directed by the Engineer.
- The Contractor shall be responsible for the continuous maintenance of the soil erosion control measures within the construction area until the full completion of the project. This work shall be included in the item of work "General Conditions".
- All curb, sidewalk, driveway approach removals shall be approved by Engineer before the work is done.
- Sawed sewer pipe connections shall be coupled with a Fernco flexible coupling and a stainless steel shear ring.
- The location of material stock piles and on-site staging areas to be approved by the Engineer.
- All City of Ann Arbor structures shall receive new castings as directed by the Engineer, as specified on the standard casting schedule. The existing castings are the property of the City of Ann Arbor. The Contractor shall deliver to City of Ann Arbor Field Operations and Maintenance Facility at the W.R. Wheeler Service Center located at 4251 Stone School Road.
- Drainage structure sumps, where specified, shall be included in the payment for the various drainage structure sizes and or types.
- Where sewer pipes of different sizes or materials are joined, Fernco flexible couplings with stainless steel shear rings shall be used. The Contractor's purchase price for these devices, including shipping, shall be paid as an extra. Prior to payment for this item, the Contractor shall submit receipts for the Engineer's review and approval. All other costs associated with the installation of these devices shall be included in the payment for the sewer.
- Where sewer and water main are to be removed & replaced or added, all pipe shall be installed using Trench Detail detailed in the specifications or shown on Plans. Backfill for sewer and water construction shall be MDTOT Granular Material, Class II, Modified.
- Existing street name, guide, and regulatory signs, and mailboxes which conflict with the proposed construction shall be removed prior to construction, stored in a manner which will prevent damage, and re-set in locations as directed by the Engineer. This work will not be paid for separately, but shall be included in "Machine Grading, Modified"
- In areas where edge drain cannot be installed in accordance with City of Ann Arbor Detail SD-TD-11, the edge drain shall be installed at the depth as indicated on the plans, or as directed by Engineer. In no case shall the edge drain be installed at a grade less than 0.50% or at a depth of less than 2' below top of proposed pavement.

PERMITS REQUIRED TO BE OBTAINED PRIOR TO THE BEGINNING OF CONSTRUCTION.	
PERMIT	ISSUING AUTHORITY
RIGHT-OF-WAY PERMIT*	WASHTENAW COUNTY ROAD COMMISSION
SOIL EROSION AND SEDIMENTATION CONTROL*	PITTSFIELD CHARTER TOWNSHIP
* OBTAINED BY CITY OF ANN ARBOR AT NO COST TO CONTRACTOR	

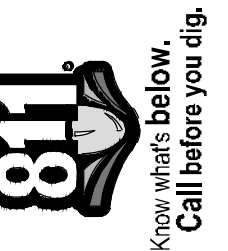
CONTACT INFORMATION		
PUBLIC UTILITIES	OWNER	CONTACT
WATER		
SANITARY		
STORM	CITY OF ANN ARBOR PUBLIC WORKS W.R. WHEELER SERVICE CENTER 4251 STONE SCHOOL ROAD ANN ARBOR, MI 48108	(734) 794-6350
FORESTRY		
SIGNS SIGNALS STREET LIGHTS		(734) 794-6361
PRIVATE UTILITIES	OWNER	CONTACT
GAS	DTE ENERGY 3150 E. MICHIGAN AVE, YPSILANTI TOWNSHIP, MI 48198	ROBERT CZAPIEWSKI (734) 544-7818
ELECTRIC	DTE ENERGY WESTERN WAYNE SERVICE CENTER 8001 HAGGERTY ROAD BELLEVILLE, MI 48111	CLAY COMBEE (734) 397-4112
CABLE	COMCAST 27800 FRANKLIN ROAD SOUTHFIELD, MI 48034	RON SUTHERLAND (313) 999-8300
PHONE	AT&T 550 S. MAPLE ROAD ANN ARBOR, MI 48103	(734) 996-2135
FIBER OPTIC	MCI 2800 N. GLENFILLE ROAD RICHARDSON, TX 75082	DEAN BOYERS (972) 729-6016

EXISTING LEGEND

⊕ FIRE HYDRANT	--- W --- WATER MAIN
I GATE VALVE IN BOX	--- W --- WATER MAIN ABANDONED
⊗ GATE VALVE IN WELL	--- R --- STORM SEWER
⊙ STOP BOX	--- S --- STORM SEWER ABANDONED
⊠ WATER VAULT	--- FO --- SANITARY SEWER
⊙ WELL	--- E --- SANITARY SEWER ABANDONED
□ CATCH BASIN (SQ)	--- G --- GAS MAIN
⊙ CATCH BASIN (RD)	--- G (DEAD) --- GAS MAIN (DEAD)
○ STORM MANHOLE	--- OH --- ELECTRICAL OVER HEAD
□ NON-CURB CATCH BASIN (SQ)	--- UG --- ELECTRICAL UNDER GROUND
) END SECTION	--- e duct bank --- ELECTRICAL DUCT BANK
○ SANITARY MANHOLE	--- oht --- TELEPHONE OVER HEAD
○ CLEAN-OUT	--- t --- TELEPHONE UNDER GROUND
● POST	--- t duct bank --- TELEPHONE DUCT BANK
⊕ PEDESTRIAN SIGNAL	--- ohtv --- CABLE TV OVER HEAD
⊕ SIGN	--- tv --- CABLE TV UNDER GROUND
□ HAND HOLE	--- fo --- FIBER OPTIC
⊕ ORNAMENTAL LIGHT	--- fo duct bank --- FIBER OPTIC DUCT BANK
⊕ FLOOD LIGHT	--- --- BOUNDARY
⊙ UNKNOWN MANHOLE	/// /// /// BUILDING
⊙ TELEPHONE MANHOLE	--- --- CENTERLINE OF DITCH
⊕ TELEPHONE RISER	--- --- CENTERLINE/CROWN OF ROAD
⊙ GAS VALVE	--- 800 --- CONTOUR MAJOR
○ GAS VENT	--- 799 --- CONTOUR MINOR
⊠ GAS BOX	--- --- EDGE OF WATER
⊕ ELECTRICAL RISER	⊠ --- FLOODPLAIN
⊕ TRANSFORMER	/// /// /// FENCE
⊕ UTILITY POLE	⊕ --- GRAVEL
○ LAMP POLE	⊕ --- GUARDRAIL
⊕ GUY ANCHOR	⊕ --- STONE WALL
○ GUY POLE	⊕ --- R.O.W.
⊕ MONITORING WELL	⊕ --- TREELINE
⊕ MAILBOX	⊕ --- WETLAND
⊕ SOIL BORING	⊕ --- EDGE OF BRUSH
⊕ TRAVERSE POINT	⊕ --- HEDGE
⊕ BENCH MARK	⊕ --- TREE (DECIDUOUS)
○ IRON PIPE	⊕ --- TREE (CONIFEROUS)
⊕ MON BOX	⊕ --- SHRUB (DECIDUOUS)
	⊕ --- STUMP
	⊕ --- TREE TO REMAIN & PROTECT (DECIDUOUS) CRITICAL ROOT ZONE (C.R.Z.) = DIAMETER BREST HEIGHT (INCHES) X 10
	⊕ --- TREE TO REMAIN & PROTECT (CONIFEROUS) CRITICAL ROOT ZONE (C.R.Z.) = DIAMETER BREST HEIGHT (INCHES) X 10

PROPOSED LEGEND

⊕ HYDRANT (PLAN)	--- W --- WATER MAIN
⊗ WATER GATE WELL	--- R --- STORM SEWER
⊕ REDUCER	--- S --- SANITARY SEWER
⊕ WATER GATE VALVE	--- FO --- FIBER OPTIC
⊙ WATER STOP BOX	--- E --- ELECTRICAL
⊠ WATER VAULT	--- --- CENTERLINE OF DITCH
⊙ INLET	--- --- CENTERLINE OF ROAD
⊕ DOUBLE INLET	--- // --- FENCE
⊕ INLET JUNCTION CHAMBER	⊕ --- GRAVEL
⊕ ROUND CATCH BASIN	⊕ --- SILT FENCE
⊕ STORM MANHOLE	⊕ --- PROTECTIVE FENCE
⊕ DRAIN ARROW	⊕ --- GUARDRAIL
⊕ FLARED END SECTION	⊕ --- LOT/UNIT
⊕ SANITARY MANHOLE	⊕ --- CURB
⊙ CLEAN-OUT	⊕ --- TEMPORARY GRADING PERMIT
⊕ BARREL	⊕ --- CONTOUR MAJOR
⊕ SIGN	⊕ --- CONTOUR MINOR
⊕ PUSH BUTTON	⊕ --- WATER EASMENT
⊕ HAND HOLE	⊕ --- STORM EASEMENT
	⊕ --- SANITARY EASEMENT
	⊕ --- R.O.W.
	⊕ --- LIMITS OF CONSTRUCTION
	⊕ --- LIMIT OF GRADING
	⊕ --- STONE WALL
	⊕ --- DETECTABLE WARNING
	⊕ --- ASPHALT
	⊕ --- CONCRETE
	⊕ --- SIDEWALK
	⊕ --- TREE (DECIDUOUS)
	⊕ --- TREE (CONIFEROUS)
	⊕ --- TREE TO BE REMOVED (DECIDUOUS)
	⊕ --- TREE TO BE REMOVED (CONIFEROUS)
	⊕ --- STUMP TO BE REMOVED

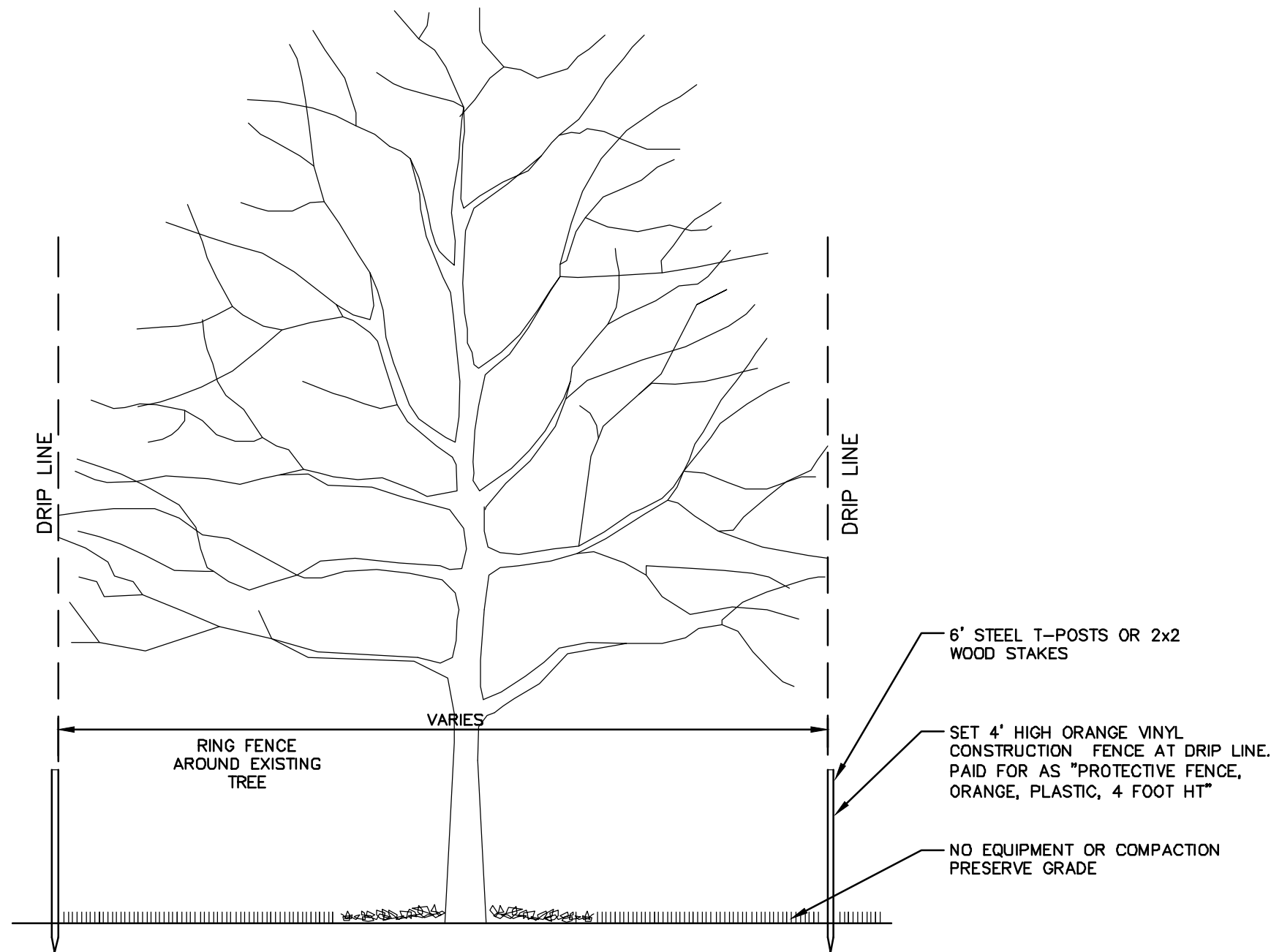


NO.	DATE	DESCRIPTION
01	3-9-18	WRC COMMENTS
02	1-6-17	REVIEW SET
		DRAWN
		CHECKED

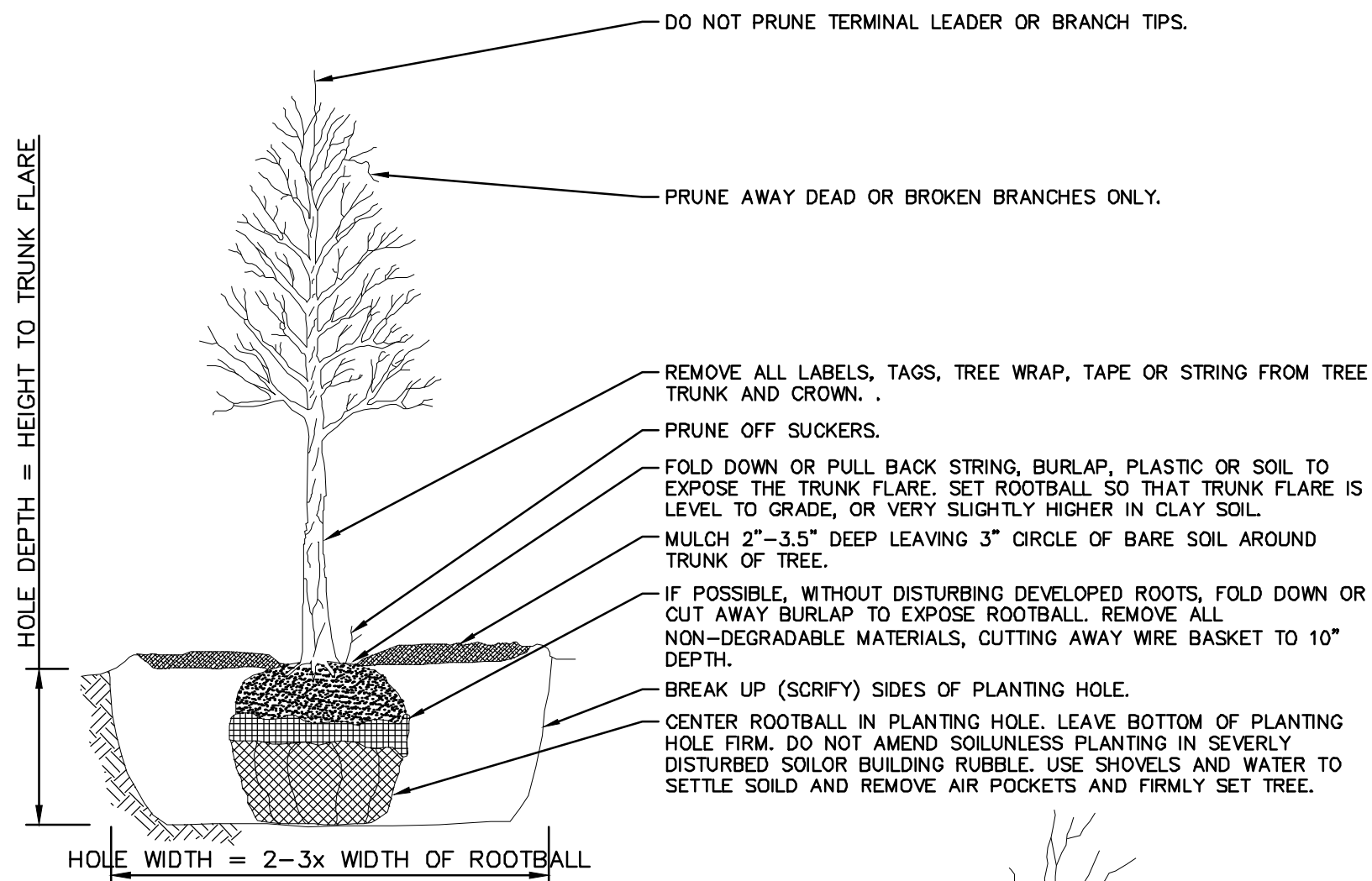
CITY OF ANN ARBOR
PUBLIC SERVICES
301 EAST HURON STREET
ANN ARBOR, MI 48106
734-794-4410
www.a3gov.org

PROJECT MANAGEMENT - PUBLIC SERVICES - CITY OF ANN ARBOR
PHASE 2 - HMA SHARED USE PATH
NOTES AND LEGEND

R:\2014031 Wheeler Center_PUD\Plan_Production\Construction Set\2014031 DTL1a.dwg Dwg Created: 13-Mar-18 -- _a2 standard bw.stb -- Plot Date: 5-Mar-19

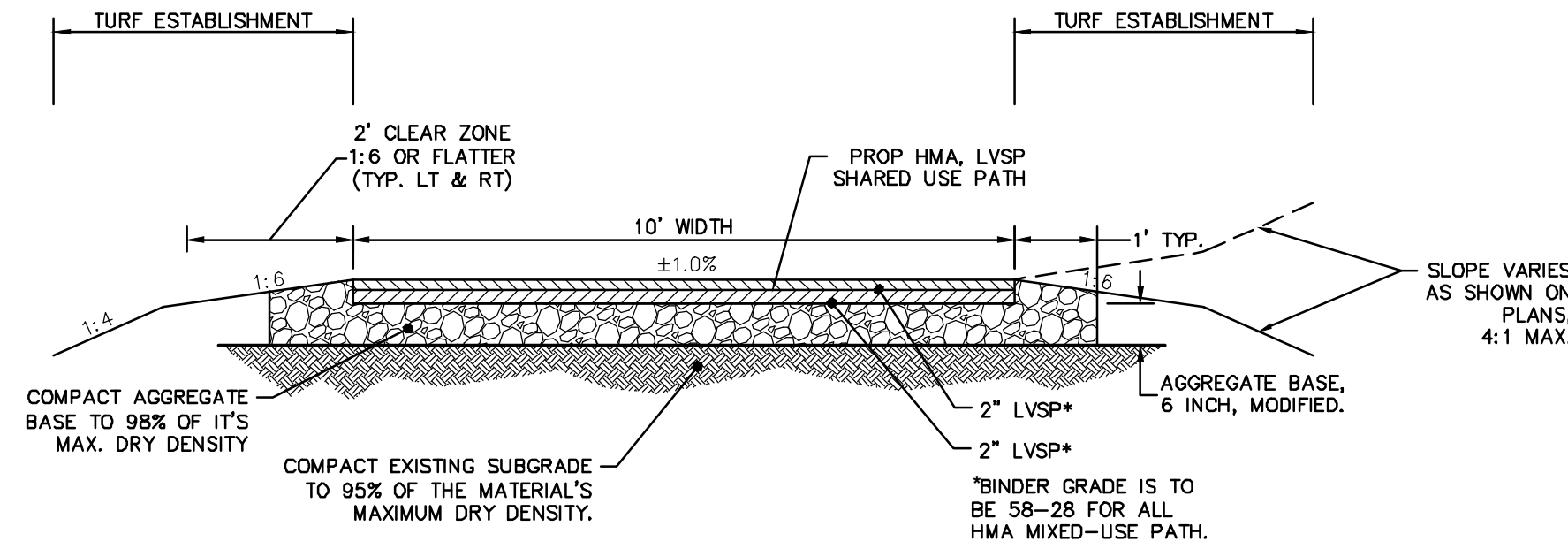
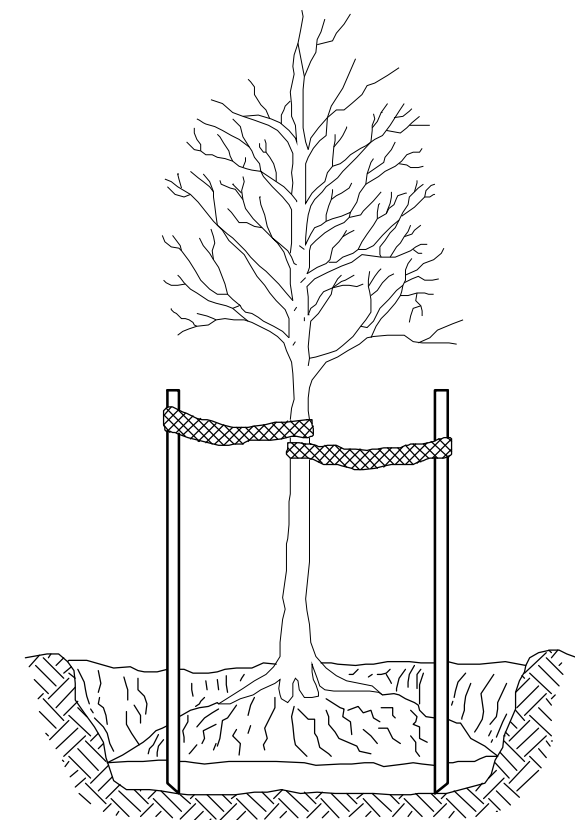


TREE PROTECTION DETAIL



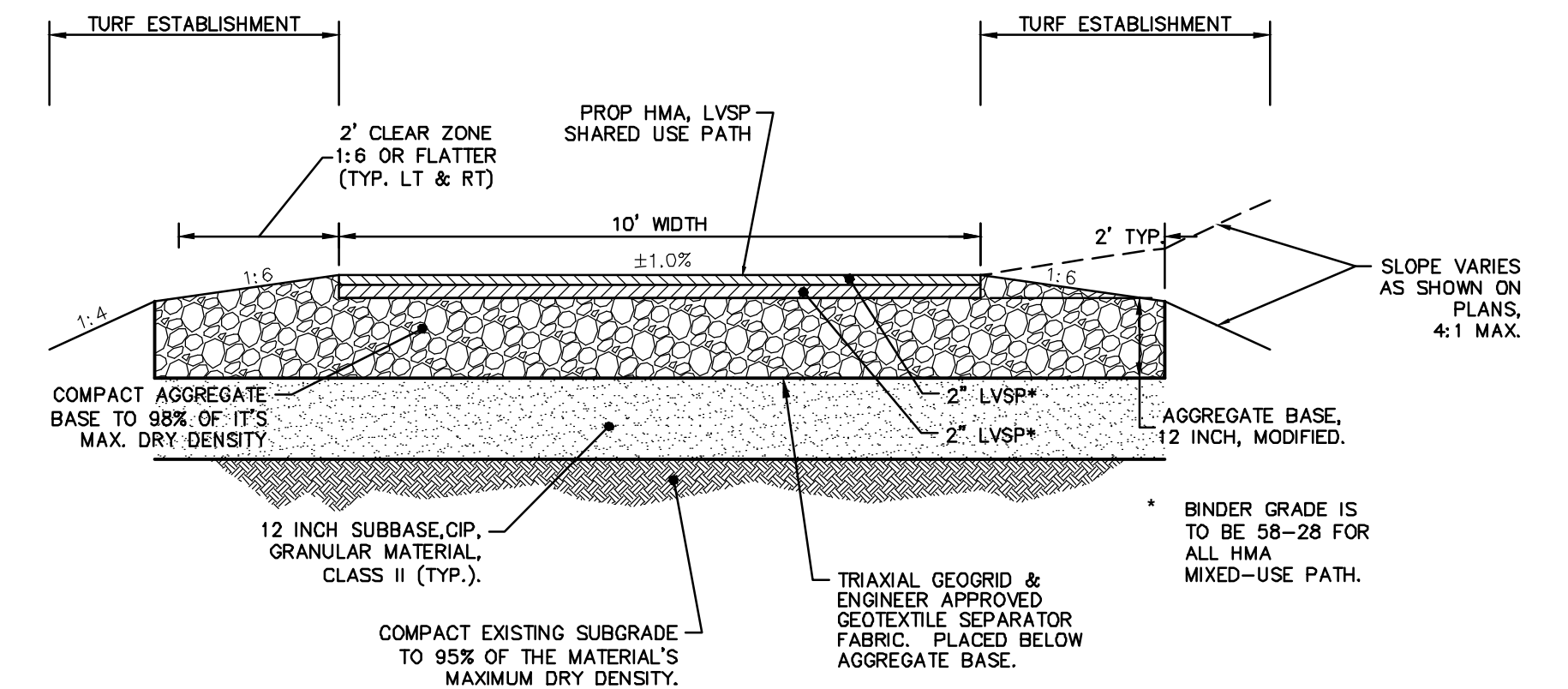
TREE PLANTING SD-L-3

- DO NOT STAKE UNLESS IN HEAVY CLAY SOIL, WINDY CONDITIONS, 3\"/>
 - STAKE WITH 2 x 2 HARDWOOD STAKES, OR APPROVED EQUAL, DRIVEN 6\"/>
 - LOOSELY STAKE TREE TRUNK TO ALLOW FOR TRUNK FLEXING.
 - STAKE TREES JUST BELOW FIRST BRANCH WITH 2\"/>
 - REMOVE ALL STAKING MATERIALS AFTER 1 YEAR.

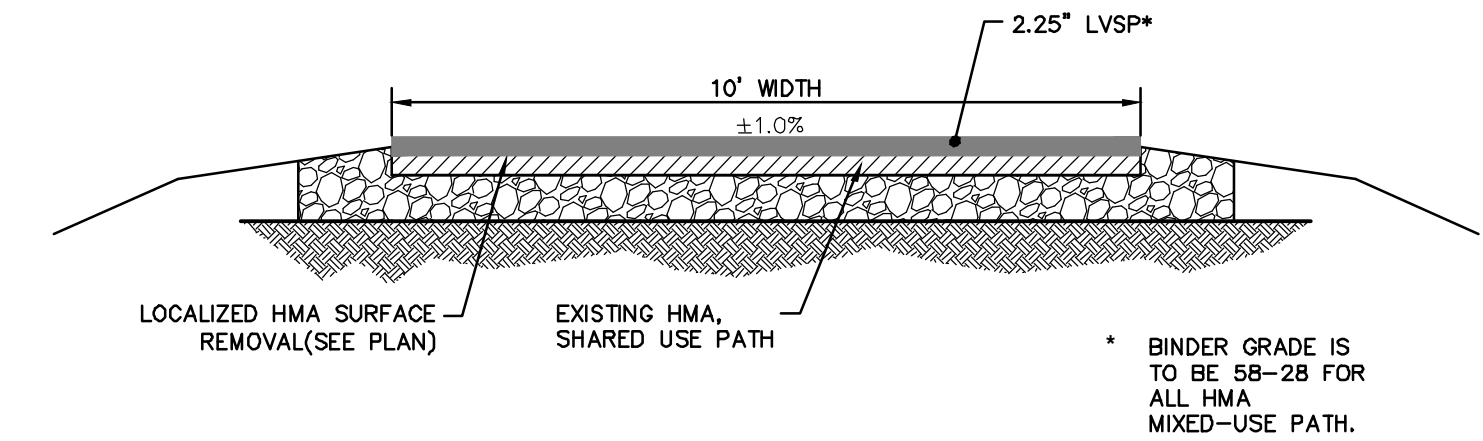


HMA SHARED USE PATH TYPICAL SECTION

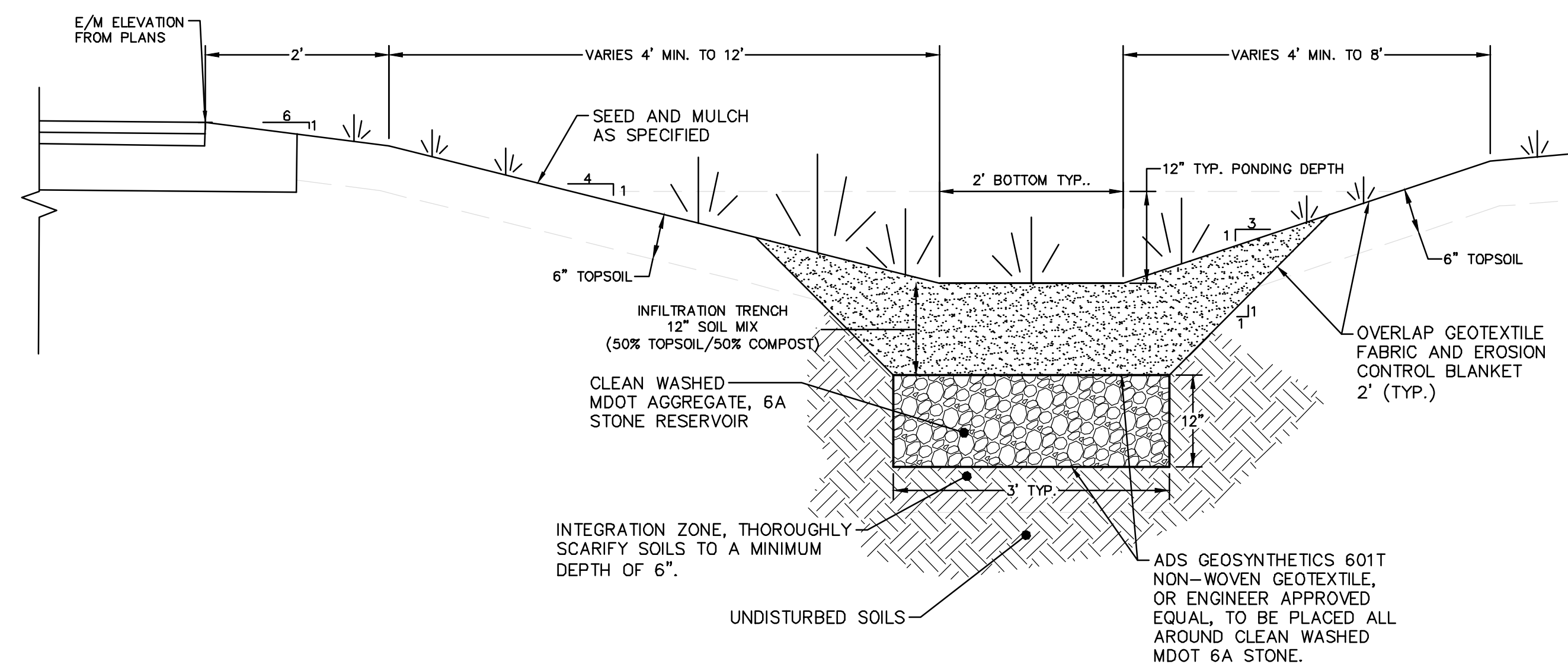
SHARED USE PATH - HMA APPLICATION ESTIMATE					
HMA MIX	RATE OF APPLICATION	THICKNESS (INCHES)	AWI (MIN.)	BINDER	LOCATION/NOTES
LVSP	220 - 250 LB/SYD	2.0 - 2.25	220	PG 58-28	TOP COURSE
LVSP	220 LB/SYD	2.0	220	PG 58-28	LEVELING COURSE
Bond Coat SS-1h	0.05 - 0.10 GAL/SYD	-	-	-	INCLUDE IN COST OF HMA ITEM(S)



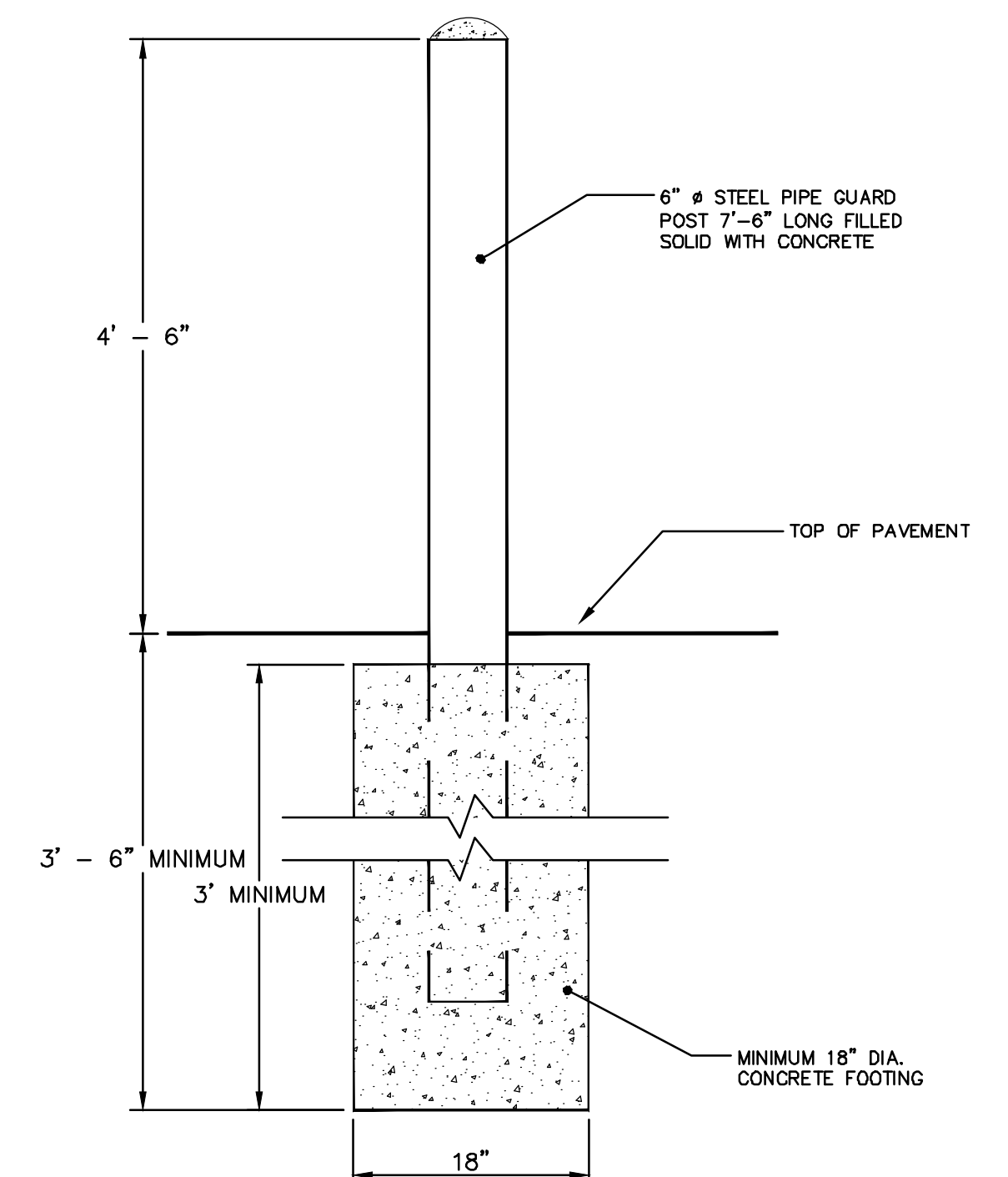
HMA SHARED USE PATH SECTION, STA. 6+25 TO 7+25



EXISTING HMA SHARED USE PATH TYPICAL SECTION



INFILTRATION TRENCH TYPICAL SECTION

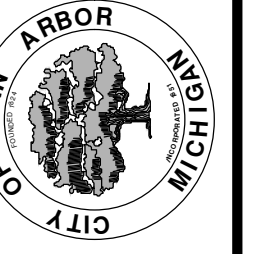


STEEL PIPE BOLLARD SD-M-4



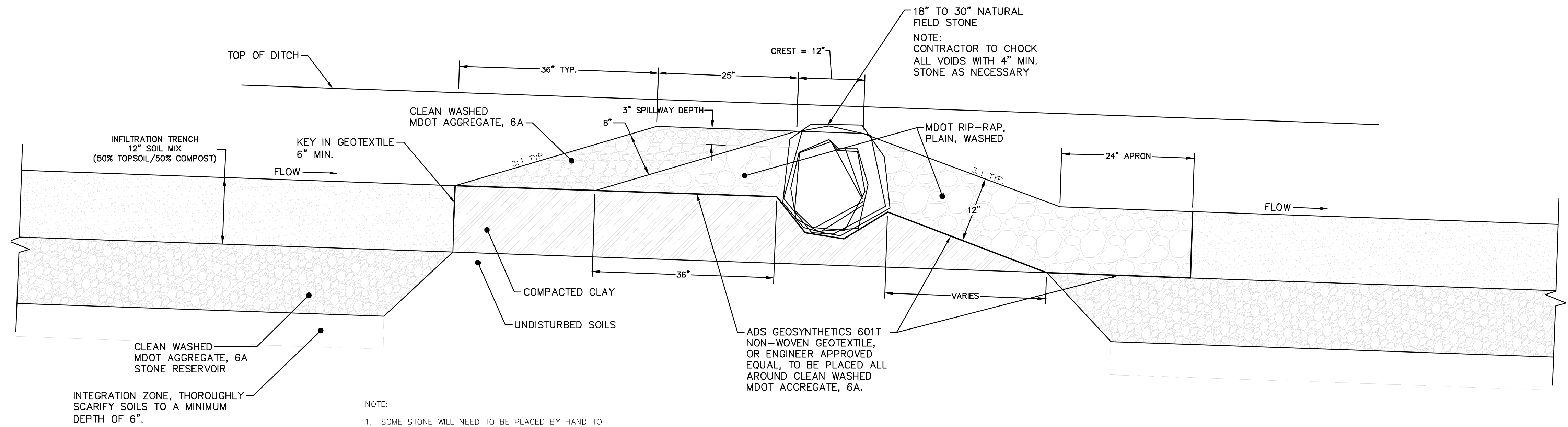
NO.	DATE	DESCRIPTION	REV.
01	3-9-18	W/CARC COMMENTS	
00	1-6-17	REVIEW SET	
		DRAWN	CHECKED
		DATE	
		CCC	
		CEC	
		DAD	

CITY OF ANN ARBOR
PUBLIC SERVICES
301 EAST HURON STREET
ANN ARBOR, MI 48106-0647
ANN ARBOR FAX 734.764.4410
www.a2gov.org



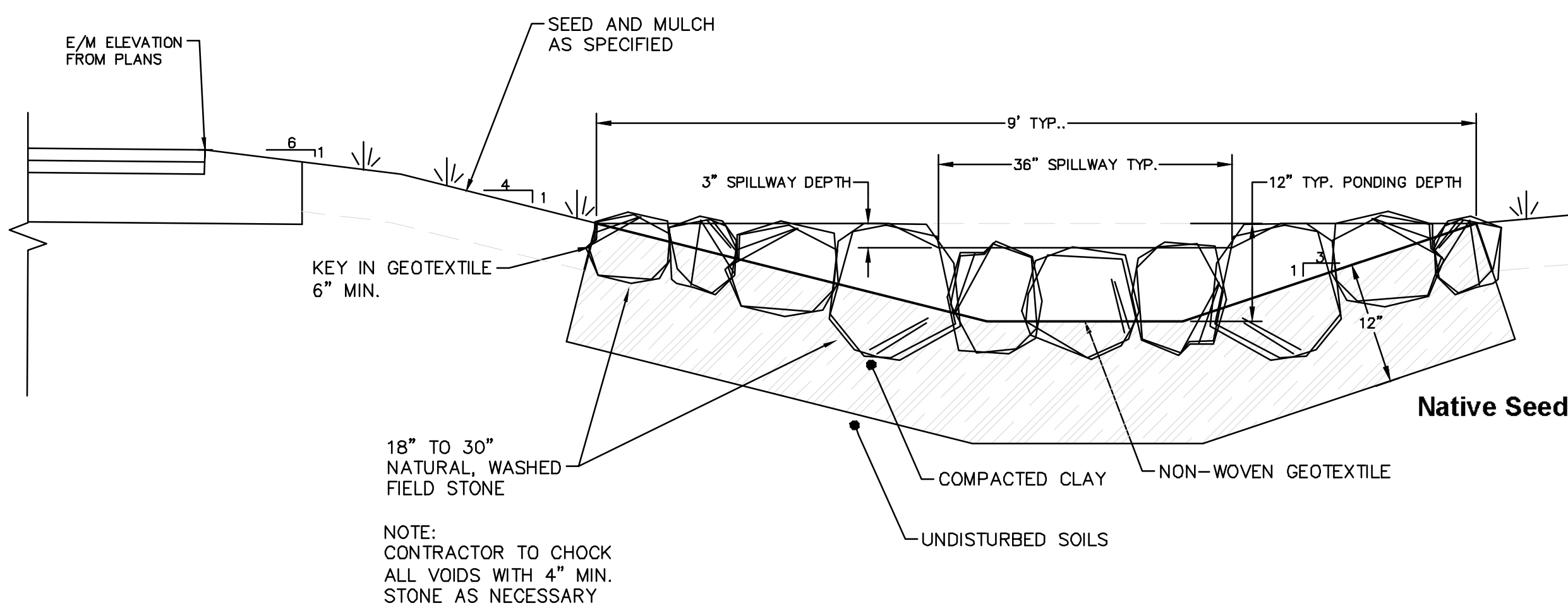
PROJECT MANAGEMENT - PUBLIC SERVICES - CITY OF ANN ARBOR
PHASE 2 - HMA SHARED USE PATH
SCALE: N.T.S.
DRAWING No. 2014031-3
SHEET No.

R:\2014031 Wheeler Center_PUD\Plan_Production\Construction Set\2014031 DTL1a.dwg Dwg Created: 13-Mar-18 - a2 standard bw.stb - Plot Date: 5-Mar-19



- NOTE:**
1. SOME STONE WILL NEED TO BE PLACED BY HAND TO ACHIEVE DESIRED RESULTS
 2. PERMANENT CHECK DAMS AND DITCH BOTTOM, USE CLEAN, NATURAL STONE AS DIRECTED BY ENGINEER
 3. TEMPORARY CHECK DAMS, USE PLAIN RIP-RAP, OR AS DIRECTED BY ENGINEER
 4. REFER TO PLANS FOR LOCATION OF BOTH TEMPORARY AND PERMANENT CHECK DAMS. FINAL LOCATIONS TO BE AS APPROVED, OR AS DIRECTED, BY ENGINEER.

CHECK DAM TYPICAL PROFILE
NTS



Native Seeding Mixture

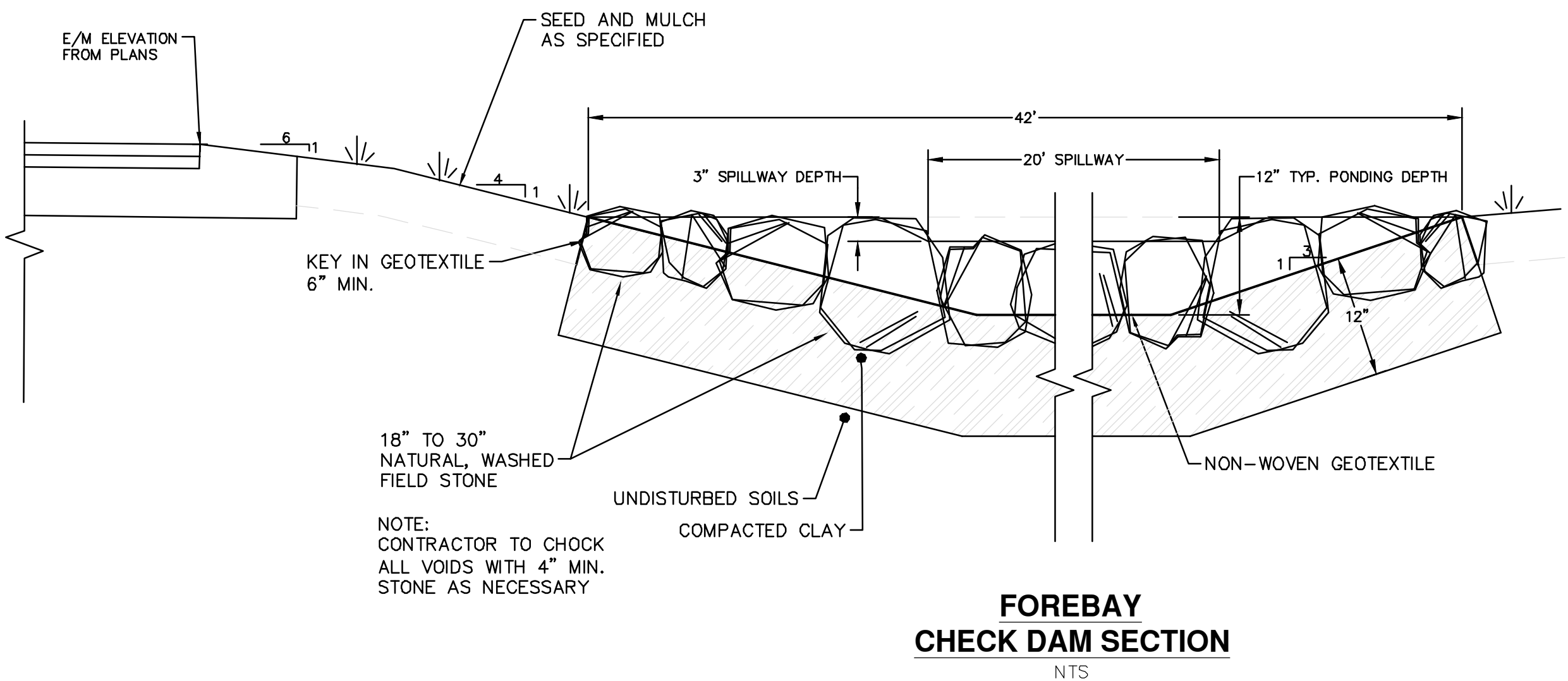
Botanical Name	Common Name	Amt /Rate
<i>Andropogon gerardii</i>	Big Bluestem	8 oz./acre
<i>Elymus canadensis</i>	Canada Wild Rye	48 oz./acre
<i>Hystrix patula</i>	Bottlebrush Grass	16 oz./acre
<i>Panicum virgatum</i>	Switch Grass	32 oz./acre
<i>Schizachyrium scoparium</i>	Little Bluestem	16 oz./acre
		112 total oz./ac. or 7.00 total lbs./ac.

<i>Lolium multiflorum</i>	Annual Rye	200 lb./acre
---------------------------	------------	--------------

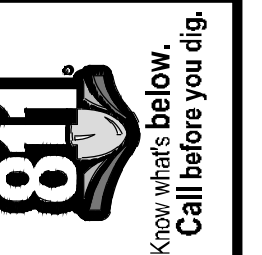
Forb Seed

Botanical Name	Common Name	Amt /Rate
<i>Allium cernuum</i>	Nodding Wild Onion	6 oz./acre
<i>Asclepias tuberosa</i>	Butterflyweed	10 oz./acre
<i>Aster novae-angliae</i>	New England Aster	1 oz./acre
<i>Campanula americana</i>	Tall Bellflower	0.25 oz./acre
<i>Clematis virginiana</i>	Virgin's Bower	3 oz./acre
<i>Eupatorium maculatum</i>	Spotted Joe-Pye Weed	0.5 oz./acre
<i>Euphorbia corollata</i>	Flowering Spurge	0.5 oz./acre
<i>Helenium autumnale</i>	Sneezeweed	0.25 oz./acre
<i>Monarda fistulosa</i>	Bee-balm	2 oz./acre
<i>Monarda punctata</i>	Horsemint	1 oz./acre
<i>Penstemon digitalis</i>	Foxglove Beardstongu	0.5 oz./acre
<i>Penstemon hirsutus</i>	Hairy Beardstondue	0.25 oz./acre
<i>Pycnanthemum tenuifolium</i>	Mountain-Mint	0.25 oz./acre
<i>Pycnanthemum virginianum</i>	Common Mountain Mii	0.25 oz./acre
<i>Ratibida pinnata</i>	Yellow Coneflower	2 oz./acre
<i>Rudbeckia hirta</i>	Black-Eyed Susan	2 oz./acre
<i>Rudbeckia laciniata</i>	Cutleaf Coneflower	4 oz./acre
<i>Solidago gigantea</i>	Late Goldenrod	0.25 oz./acre
<i>Solidago patula</i>	Swamp Goldenrod	0.5 oz./acre
<i>Tradescantia ohioensis</i>	Spiderwort	8 oz./acre
<i>Verbena stricta</i>	Hoary Vervain	5 oz./acre
<i>Vernonia missurica</i>	Ironweed	2 oz./acre
<i>Veronicastrum virginicum</i>	Culver's Root	0.25 oz./acre
		49.75 total oz./ac. or 3.11 total lbs./ac.

CHECK DAM TYPICAL SECTION
NTS

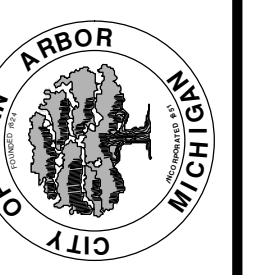


FOREBAY CHECK DAM SECTION
NTS



REV.	DATE	DESCRIPTION
01	3-9-18	WCWRC COMMENTS
00	1-6-17	REVIEW SET
		DRAWN
		CHECKED

CITY OF ANN ARBOR
PUBLIC SERVICE
301 EAST HURON STREET
ANN ARBOR, MI 48106-0647
734.764.4410
www.a2gov.org



PROJECT MANAGEMENT - PUBLIC SERVICES - CITY OF ANN ARBOR
PHASE 2 - HMA SHARED USE PATH
SCALE: N.T.S.
DRAWING No. 2014031-4

GENERAL
NOTIFY THE CITY OF ANN ARBOR SOIL EROSION CONTROL OFFICE 48 HOURS PRIOR TO BEGINNING WORK ON THE PROJECT. PHONE: 734-794-6265.

- THE CONTRACTOR SHALL IMPLEMENT AND MAINTAIN THE SOIL EROSION CONTROL MEASURES AS SHOWN ON THE PLANS AND AS DIRECTED BY THE ENGINEER AT ALL TIMES DURING CONSTRUCTION. ANY MODIFICATIONS OR ADDITIONS TO THE SOIL EROSION CONTROL MEASURES DUE TO CONSTRUCTION OR CHANGED CONDITIONS SHALL BE AS DIRECTED AND APPROVED BY THE ENGINEER.
- ALL SOIL EROSION AND SEDIMENTATION CONTROL WORK SHALL CONFORM TO THE PERMIT REQUIREMENTS OF THE CITY OF ANN ARBOR, CITY ORDINANCE CHAPTER 63, CITY OF ANN ARBOR STANDARDS DIVISION VII, THE LAWS OF THE STATE OF MICHIGAN, AND THE REQUIREMENTS OF THE CONTRACT DOCUMENTS.
- DAILY, OR AFTER ANY STORM EVENT, INSPECTIONS OF EROSION CONTROL MEASURES SHALL BE MADE BY THE CONTRACTOR. PERIODIC INSPECTIONS MAY BE MADE BY THE ENGINEER TO DETERMINE THE EFFECTIVENESS OF EROSION AND SEDIMENTATION CONTROL MEASURES. ANY NECESSARY CORRECTIONS SHALL BE MADE WITHOUT DELAY, AND WITHOUT ADDITIONAL COST TO THE CITY OF ANN ARBOR.
- EROSION AND SEDIMENTATION FROM WORK ON THE SITE SHALL BE CONTAINED ON THE SITE AND NOT BE ALLOWED TO COLLECT ON ANY OFF-SITE AREAS, ROADWAYS OR WATERWAYS.
- ALL MUD/SOIL TRACKED ONTO ROADWAYS FROM THE SITE DUE TO CONSTRUCTION, SHALL BE PROMPTLY REMOVED BY THE CONTRACTOR. IF SO ORDERED, THE CONTRACTOR SHALL PROVIDE AND OPERATE A VACUUM-TYPE STREET SWEEPER, AT NO ADDITIONAL COST TO THE CITY OF ANN ARBOR, WITHIN FOUR (4) HOURS OF BEING SO ORDERED.
- RESTORATION OF ALL DISTURBED AREAS, INCLUDING PLACEMENT OF TOPSOIL, SEED, FERTILIZER AND MULCH AND/OR SOD SHALL BE PERFORMED WITHIN FIVE (5) DAYS OF THE COMPLETION OF FINAL GRADE.
- CONSTRUCTION OPERATIONS SHALL BE SCHEDULED AND PERFORMED SO THAT PREVENTATIVE SOIL EROSION CONTROL MEASURES ARE IN PLACE PRIOR TO EXCAVATION IN CRITICAL AREAS AND TEMPORARY STABILIZATION MEASURES ARE IN PLACE IMMEDIATELY FOLLOWING BACKFILLING OPERATIONS.

- SPECIAL PRECAUTIONS WILL BE TAKEN IN THE USE OF CONSTRUCTION EQUIPMENT TO PREVENT SITUATIONS THAT PROMOTE EROSION.
- PROPER DUST CONTROL SHALL BE MAINTAINED DURING CONSTRUCTION BY USE OF WATER TRUCKS AND/OR DUST PALLIATIVE AS REQUIRED.
- THE CONTRACTOR SHALL BE RESPONSIBLE FOR MAINTAINING ALL TEMPORARY SOIL EROSION CONTROL MEASURES AND REMOVAL OF SOME MEASURES UPON AUTHORIZED COMPLETION OF THE PROJECT. FINAL COMPLETION OF PROJECT WILL NOT BE AUTHORIZED UNTIL ALL SITE WORK AND UTILITY CONSTRUCTION IS COMPLETE AND ALL SOILS ARE STABILIZED.
- THE CONTRACTOR SHALL NOT GRADE INTO ADJACENT PROPERTIES. SILT AND PROTECTIVE FENCE SHALL BE INSTALLED AND MAINTAINED TO PREVENT GRADING, EROSION AND SEDIMENTATION INTO THE ADJACENT PROPERTIES.
- TREE PROTECTION FENCING MUST REMAIN INTACT UNTIL RESTORATION OF THE SITE IS COMPLETE.

SEQUENCE OF EROSION CONTROL MEASURES:

- THE CONTRACTOR IS TO SUBMIT TO THE ENGINEER, A SEQUENCE OF CONSTRUCTION WITH RESPECT TO THE SOIL EROSION CONTROL MEASURES FOR REVIEW, COMMENT AND APPROVAL. THIS SCHEDULE IS TO INCLUDE INSPECTION AND REPAIR OF ALL TEMPORARY EROSION CONTROL MEASURES DAILY AND WITHIN 24 HOURS OF A STORM EVENT.

SAMPLE SOIL EROSION AND SEDIMENTATION CONTROL INSTALLATION MINIMUM REQUIREMENTS:

- INSTALL SILT FENCE, TREE PROTECTION FENCING, MUD MATS, INLET FILTERS ON EXISTING DRAINAGE FEATURES, AND ALL OTHER TEMPORARY SOIL EROSION CONTROLS, PRIOR TO ANY CLEARING OR EARTH MOVING OPERATION.
- STRIP AND STOCKPILE TOPSOIL. STABILIZE STOCKPILE AS REQUIRED.
- INSTALL WATER MAINS, STORM AND SANITARY SEWERS, AND OTHER ENCLOSED DRAINAGE FEATURES. NEW INLET FILTERS SHALL BE INSTALLED IMMEDIATELY FOLLOWING INSTALLATION OF NEW DRAINAGE INLETS.

- PERFORM MACHINE GRADING OPERATIONS AND CONSTRUCT PAVEMENTS (MAINLINE, SIDEWALKS, DRIVES, ETC.).
- CONTINUALLY MAINTAIN EROSION AND SEDIMENTATION CONTROL MEASURES, AS REQUIRED TO ALLOW DRAINAGE AND SEDIMENT REMOVAL. REMOVE ANY ACCUMULATED SEDIMENT IMMEDIATELY.
- COMPLETE ALL FINE GRADING.
- TEMPORARY SEED AND INSTALL EROSION CONTROL BLANKET IN ALL DISTURBED AREAS.
- REFER TO LANDSCAPE PLANTING PLANS FOR PERMANENT SITE STABILIZATION.
- CLEAN OUT STORM SEWER SYSTEMS.
- REMEDY ANY NOTED DEFECTS TO THE SATISFACTION OF THE CITY OF ANN ARBOR'S SOIL EROSION AND SEDIMENTATION CONTROL OFFICIAL.
- ALL TEMP. SOIL EROSION CONTROL MEASURES MUST BE REMOVED, WITH ENGINEERS APPROVAL, PRIOR TO FINAL INSPECTION

NOTE: THIS SEQUENCE IS FOR INFORMATION ONLY. IT IS INTENDED TO SHOW THE SEQUENCE OF CONSTRUCTION WITH RESPECT TO THE SOIL EROSION AND SEDIMENTATION CONTROL MEASURES. THE CONTRACTOR IS RESPONSIBLE FOR SUBMITTING THEIR OWN DETAILED CONSTRUCTION SEQUENCE AND SCHEDULE TO THE ENGINEER FOR REVIEW, COMMENT, AND APPROVAL.

TEMPORARY SEEDING:

- SEED IN ACCORDANCE WITH PROJECT DRAWINGS AND SPECIFICATIONS.
- ANY DISTURBED AREA NOT PAVED, SEEDED, MULCHED, SODDED OR BUILT UPON BY NOVEMBER 15TH OR JUNE 30TH IS TO BE TEMPORARILY STABILIZED PER SPECIFICATIONS.

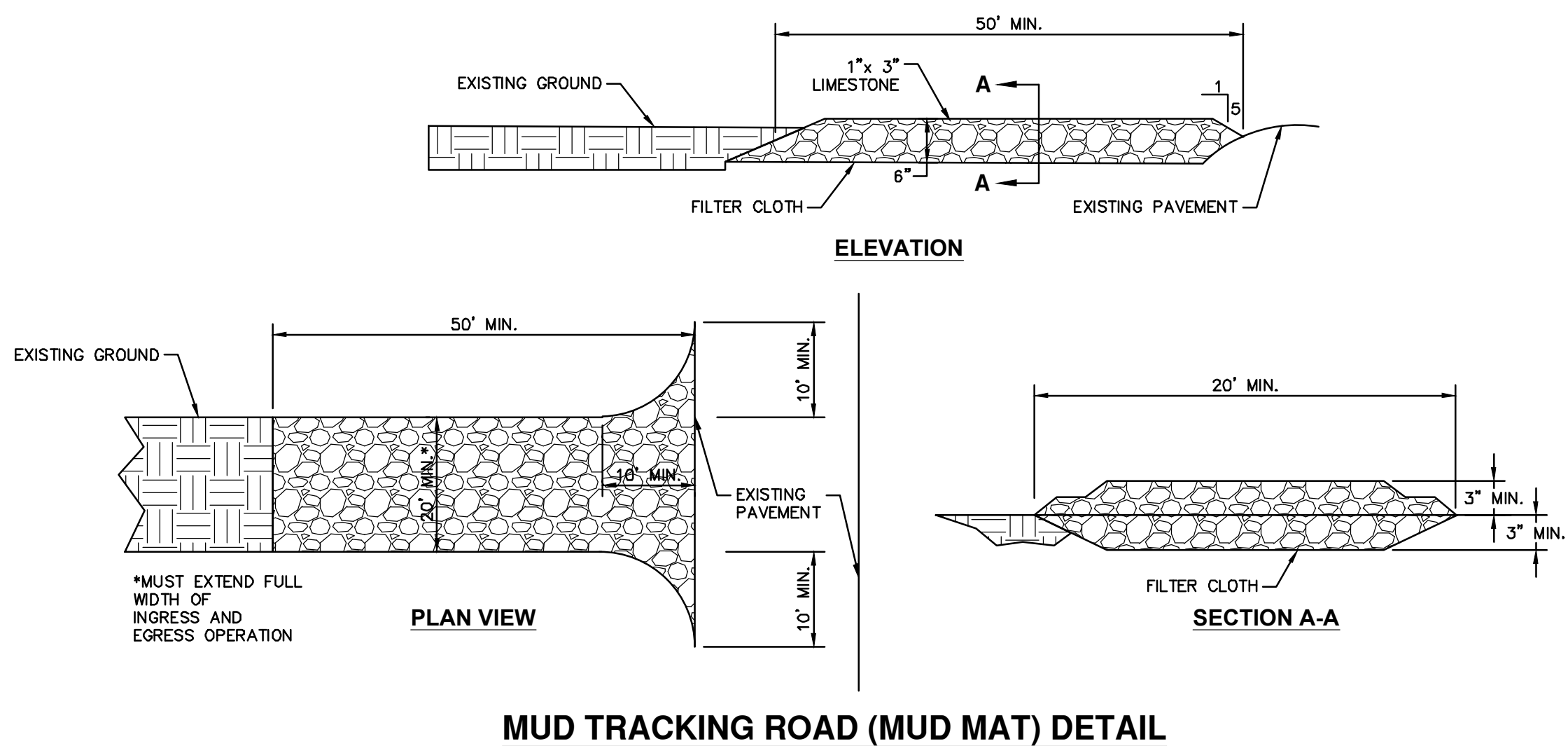
THE ESTIMATED COST OF SOIL EROSION AND SEDIMENTATION CONTROL MEASURES, TOPSOIL, SEEDING, AND MULCH = \$xxx,xxx

ESTIMATE OF EXCAVATION AND FILL FROM EXISTING TO FINAL GRADE:
• EXCAVATION = 1252 CY, FILL = 3161 CY

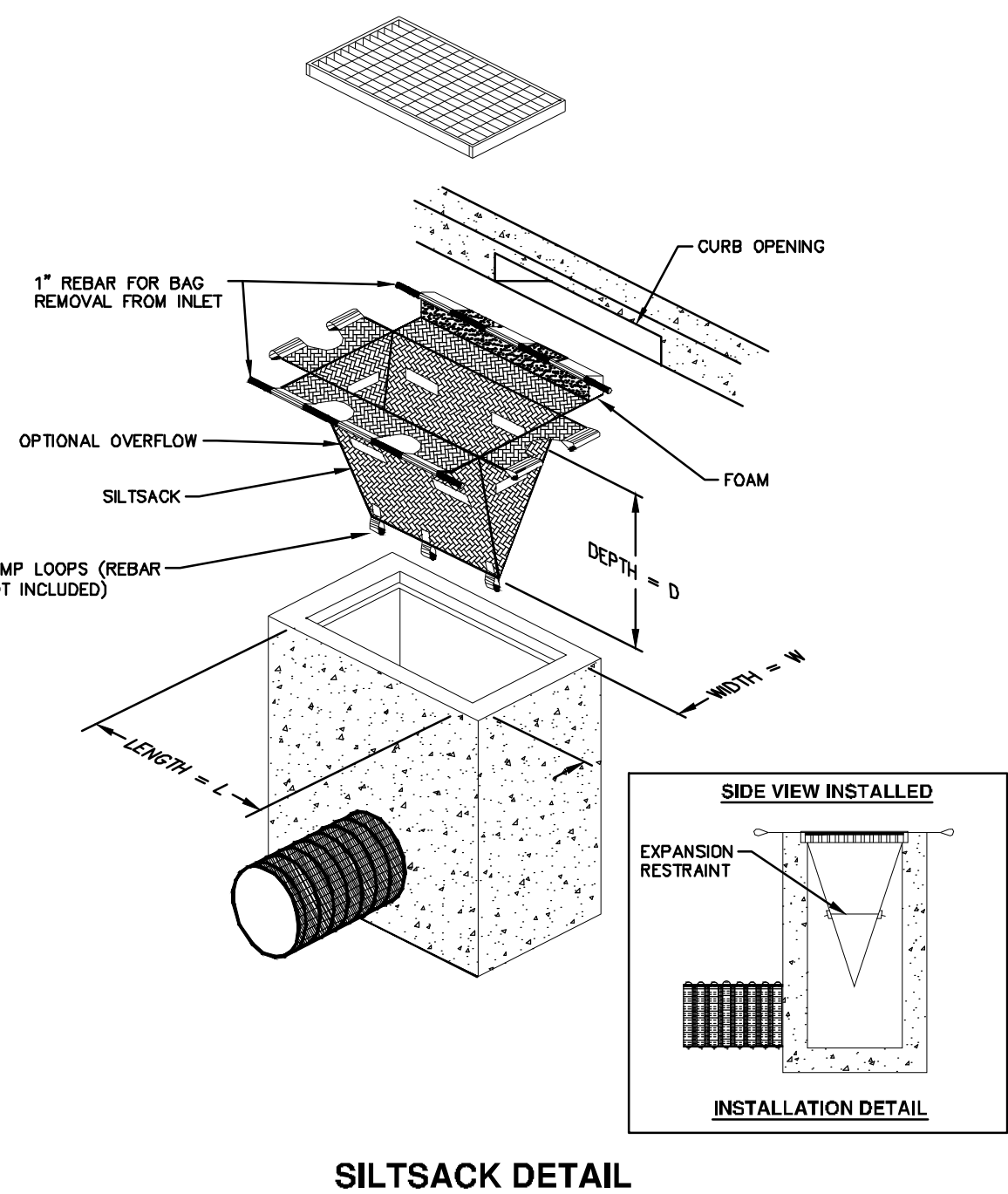
- ON SITE SOILS PER THE USDA SOIL SURVEY OF WASHTENAW COUNTY, MICHIGAN:
- S1b - SEBEWA LOAM - IN DEPRESSION AREAS, BROAD LOW-LYING AREA, AND DRAINAGEWAYS OF OUTWASH PLAINS, VALLEY TRAINS, AND TERRACES. SLOPE IS 0% TO 2%.
 - NaB - NAPPANEE SILTY CLAY LOAM - ON FOOT SLOPES AND ALONG DRAINAGEWAYS OF TILL PLAINS, MORAINES, AND LAKE PLAINS. NEARLY LEVEL TO GENTLY SLOPING.

IMPERVIOUS PROJECT AREA
21,320 ft² - PATH = 0.5 AC

TOTAL AREA OF PROPOSED DISTURBANCE =
2.6 AC - STONE SCHOOL ROAD PATH



MUD TRACKING ROAD (MUD MAT) DETAIL



NOTE: THE SILTSACK WILL BE MANUFACTURED FROM A WOVEN POLYPROPYLENE FABRIC THAT MEETS OR EXCEEDS THE FOLLOWING SPECIFICATIONS.

REGULAR FLOW SILTSACK

(FOR AREAS OF LOW TO MODERATE PRECIPITATION AND RUN-OFF)

PROPERTIES	REQUIRED VALUE	TEST METHOD
GRAB TENSILE STRENGTH	ASTM D-4632	300 LBS
GRAB TENSILE ELONGATION	ASTM D-4632	20%
PUNCTURE	ASTM D-4833	120 LBS
MULLEN BURST	ASTM D-3786	800 PSF
TRAPEZOID TEAR	ASTM D-4533	120 LBS
UV RESISTANCE	ASTM D-4365	80%
APPARENT OPENING SIZE	ASTM D-4751	40 US SIEVE
FLOW RATE	ASTM D-4491	40 GAL/MIN/SQ FT
PERMITTIVITY	ASTM D-4491	0.55 SEC -1

HI-FLOW SILTSACK

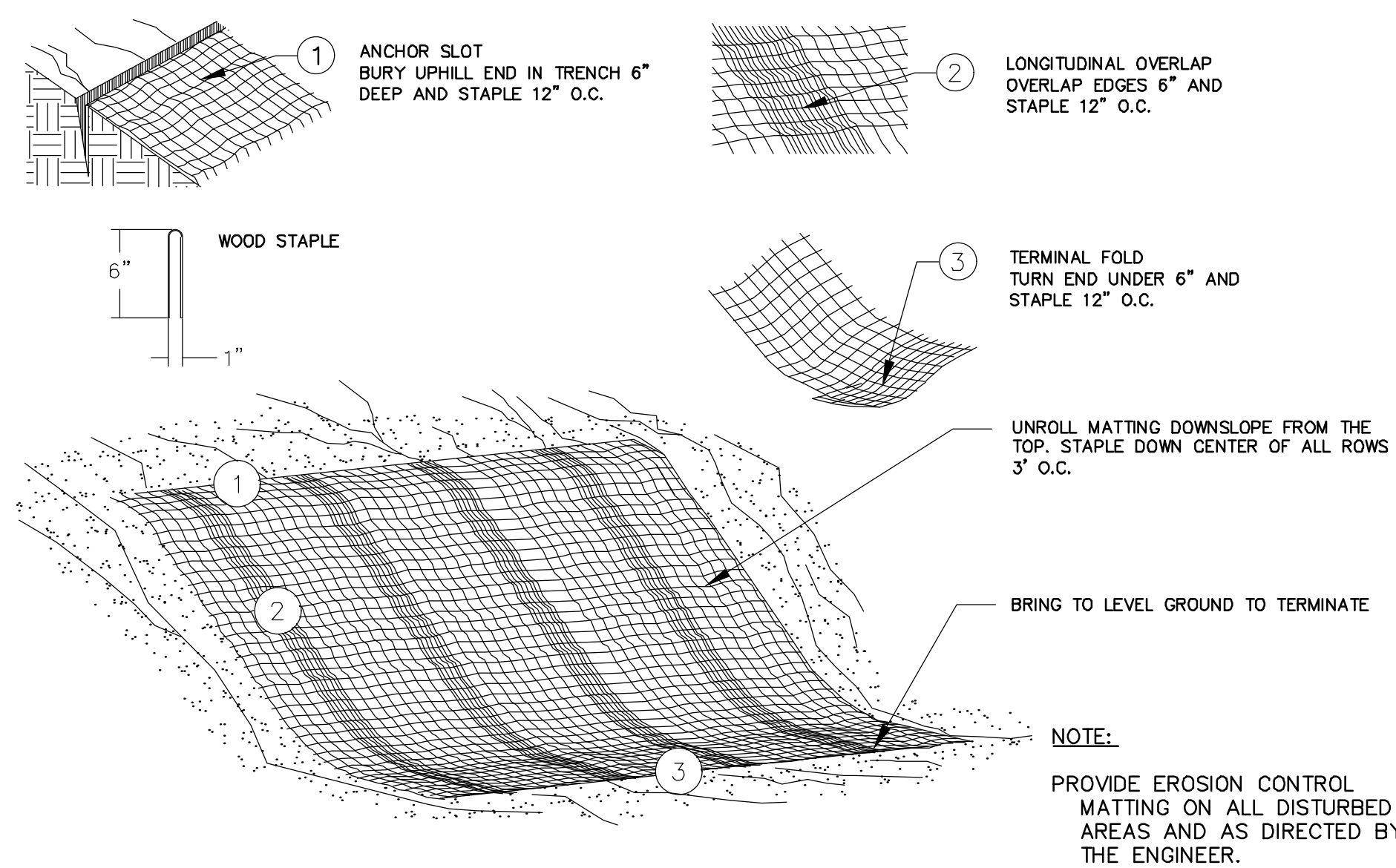
(FOR AREAS OF MODERATE TO HEAVY PRECIPITATION AND RUN-OFF)

PROPERTIES	REQUIRED VALUE	TEST METHOD
GRAB TENSILE STRENGTH	ASTM D-4632	285 LBS
GRAB TENSILE ELONGATION	ASTM D-4632	20%
PUNCTURE	ASTM D-4833	135 LBS
MULLEN BURST	ASTM D-3786	420 PSF
TRAPEZOID TEAR	ASTM D-4533	45 LBS
UV RESISTANCE	ASTM D-4365	90%
APPARENT OPENING SIZE	ASTM D-4751	20 US SIEVE
FLOW RATE	ASTM D-4491	200 GAL/MIN/SQ FT
PERMITTIVITY	ASTM D-4491	1.5 SEC-1

OIL-ABSORBANT SILTSACK

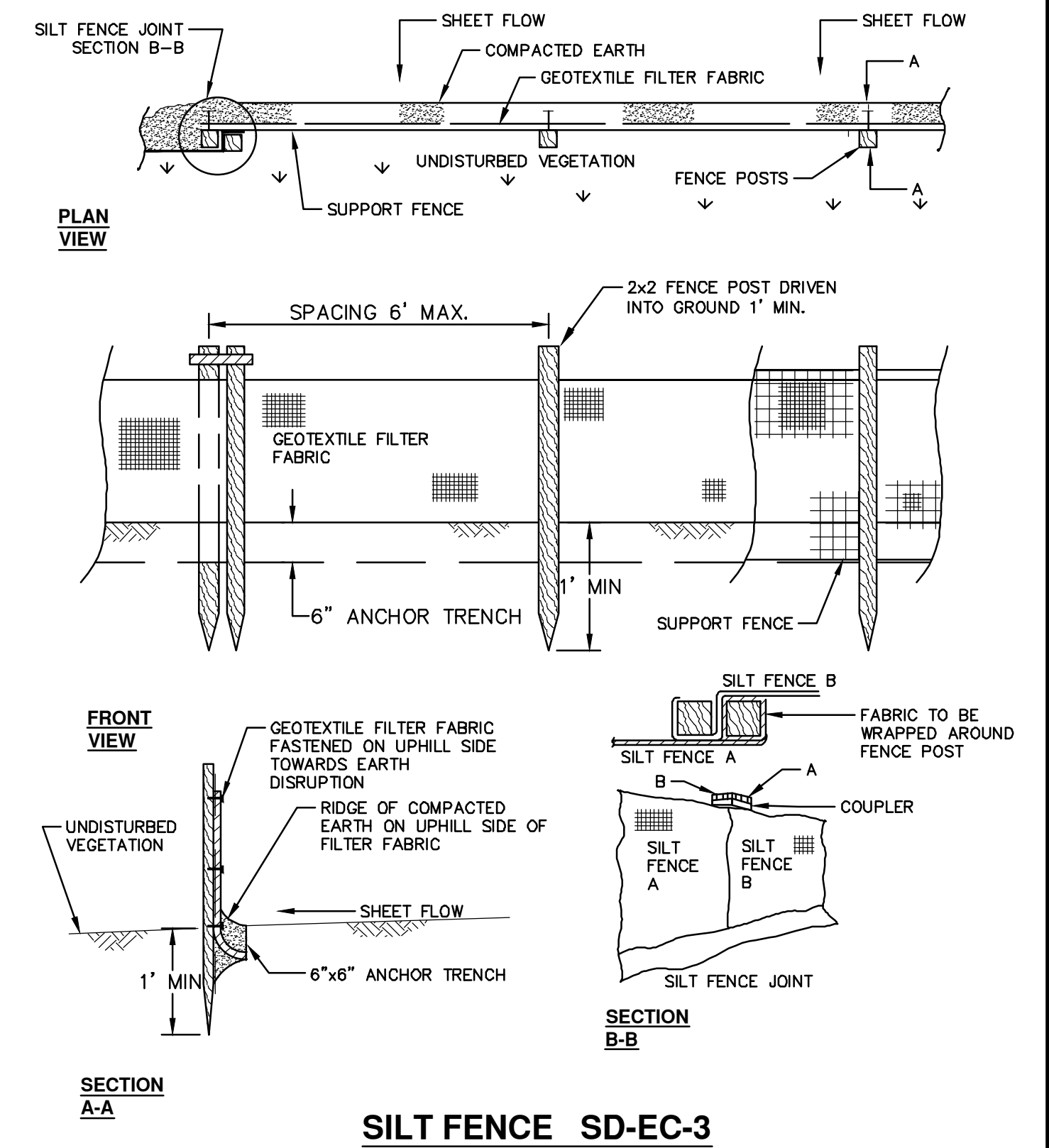
(FOR AREAS WHERE THERE IS A CONCERN FOR OIL RUN-OFF OR SPLILLS)

IT IS THE INTENT OF THE PLANS AND SPECIFICATIONS THAT THE CONTRACTOR INSTALL THE REBAR AS SHOWN IN THIS DETAIL TO PROVIDE A FULLY FUNCTIONING UNIT. ALL COSTS ASSOCIATED WITH FURNISHING, CLEANING AS MANY TIMES AS REQUIRED, DISPOSAL OF SEDIMENT, AND REMOVING THE INLET FILTER WHEN NO LONGER NEEDED IS INCLUDED IN THE ITEM OF WORK AND WILL NOT BE PAID FOR SEPARATELY.



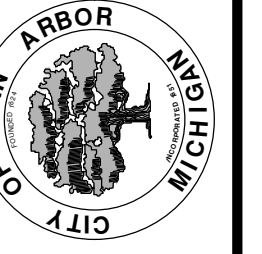
MULCH BLANKET DETAIL

APPLIES TO ALL AREAS TO BE PERMANENTLY RESTORED WITH GRASS. SEE LANDSCAPE PLANS FOR MORE DETAILS.

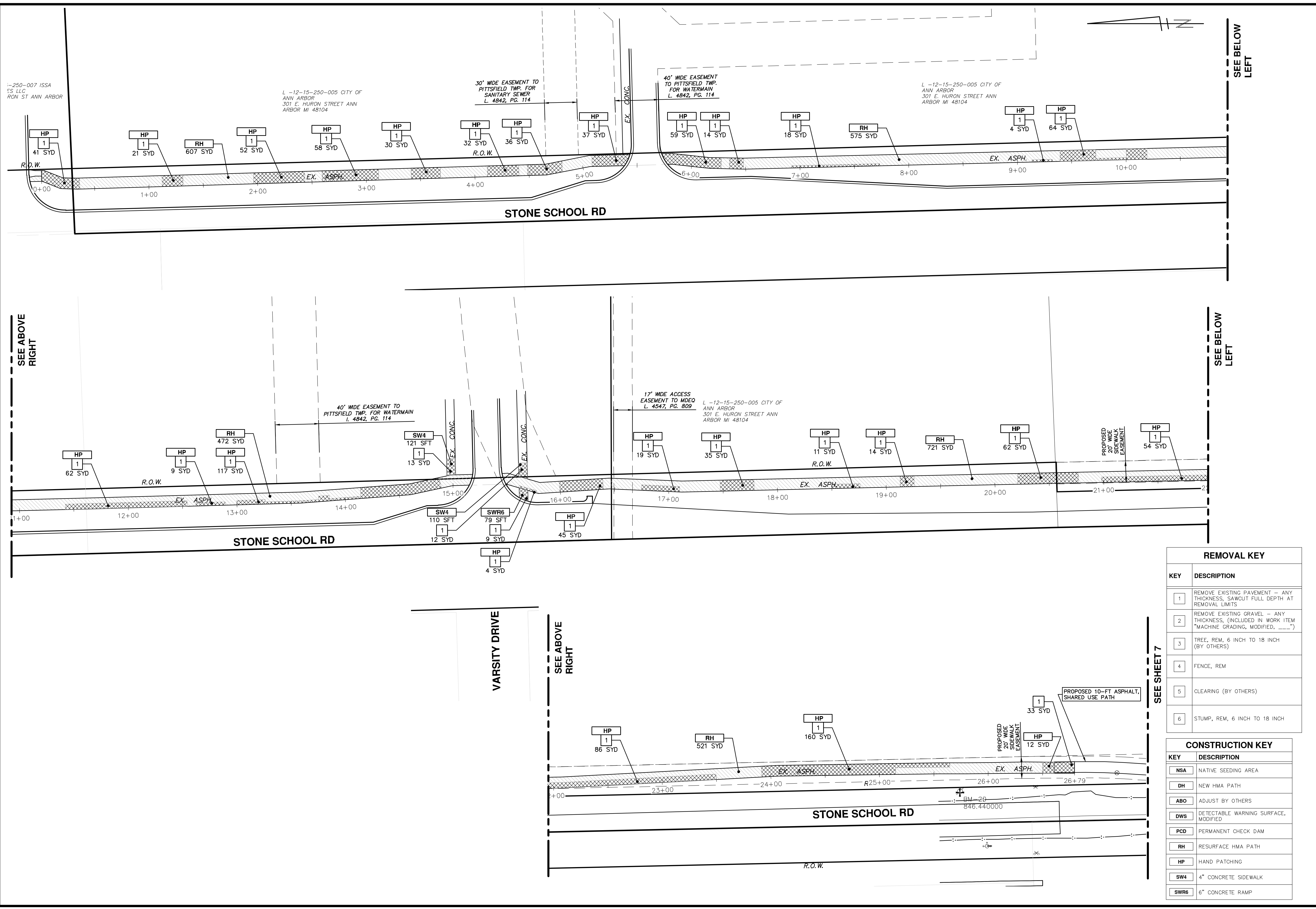


REV.	DATE	DESCRIPTION
01	3-9-18	W/CARC COMMENTS
00	1-6-17	REVIEW SET
		DRAWN
		CHECKED
		DAD
		DAD

CITY OF ANN ARBOR
PUBLIC SERVICE
301 EAST HURON STREET
ANN ARBOR, MI 48106-0847
734-794-4410
www.a2gov.org



R:\2014031 Wheeler Center PUD\Plan Production\Construction Set\2014031PPSW2-2.dwg Dwg Created: 17-Apr-18 - a2_standard bw.stb - Plot Date: 5-Mar-19



REMOVAL KEY	
KEY	DESCRIPTION
1	REMOVE EXISTING PAVEMENT - ANY THICKNESS, SAWCUT FULL DEPTH AT REMOVAL LIMITS
2	REMOVE EXISTING GRAVEL - ANY THICKNESS, (INCLUDED IN WORK ITEM "MACHINE GRADING, MODIFIED, ____")
3	TREE, REM, 6 INCH TO 18 INCH (BY OTHERS)
4	FENCE, REM
5	CLEARING (BY OTHERS)
6	STUMP, REM, 6 INCH TO 18 INCH

CONSTRUCTION KEY	
KEY	DESCRIPTION
NSA	NATIVE SEEDING AREA
DH	NEW HMA PATH
ABO	ADJUST BY OTHERS
DWS	DETECTABLE WARNING SURFACE, MODIFIED
PCD	PERMANENT CHECK DAM
RH	RESURFACE HMA PATH
HP	HAND PATCHING
SW4	4" CONCRETE SIDEWALK
SWR6	6" CONCRETE RAMP

CITY OF ANN ARBOR - PUBLIC SERVICES - ENGINEERING

PHASE 2 - HMA SHARED USE PATH


STONE SCHOOL ROAD SHARED USE PATH

WHEELER PATH RENOVATION

SCALE PLAN: 1" = 40'

DRAWING No. 2014031-6

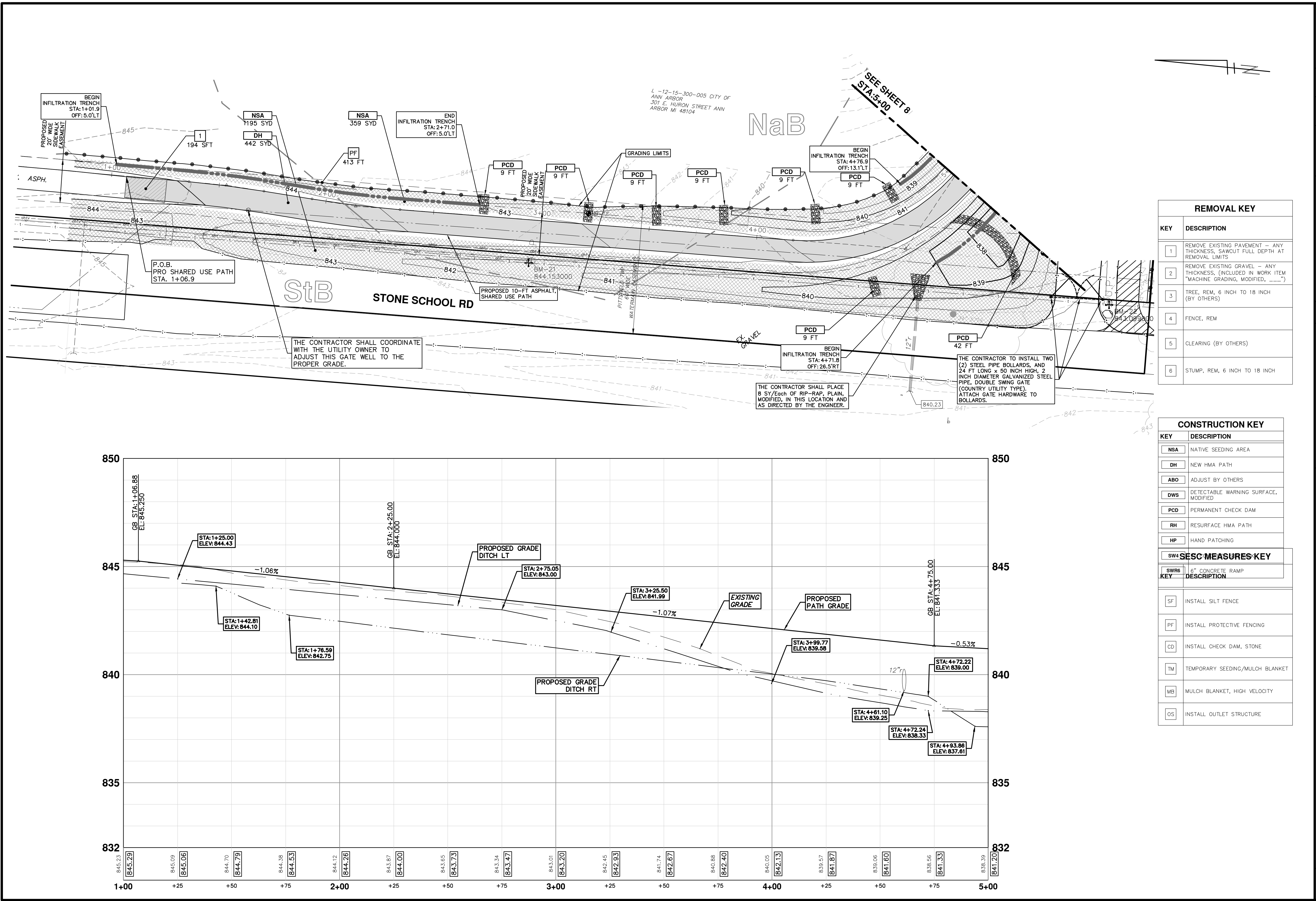
SHEET No. 6 OF 14



CITY OF ANN ARBOR
PUBLIC SERVICES
301 EAST HURON STREET
ANN ARBOR, MI 48106
734.784.4410
www.a2gov.org

REV.	DESCRIPTION	DATE	BY	CHECKED

R:\2014031-Wheeler-Center-PUD-Plan-Production\Construction-Set\2014031PPSW2.dwg Created: 13-Mar-18 - _a2_standard_bw.stb - Plot Date: 5-Mar-19



REMOVAL KEY

KEY	DESCRIPTION
1	REMOVE EXISTING PAVEMENT - ANY THICKNESS, SAWCUT FULL DEPTH AT REMOVAL LIMITS
2	REMOVE EXISTING GRAVEL - ANY THICKNESS, (INCLUDED IN WORK ITEM "MACHINE GRADING, MODIFIED, ...")
3	TREE, REM, 6 INCH TO 18 INCH (BY OTHERS)
4	FENCE, REM
5	CLEARING (BY OTHERS)
6	STUMP, REM, 6 INCH TO 18 INCH

CONSTRUCTION KEY

KEY	DESCRIPTION
NSA	NATIVE SEEDING AREA
DH	NEW HMA PATH
ABO	ADJUST BY OTHERS
DWS	DETECTABLE WARNING SURFACE, MODIFIED
PCD	PERMANENT CHECK DAM
RH	RESURFACE HMA PATH
HP	HAND PATCHING

SESC MEASURES KEY

KEY	DESCRIPTION
SW6	6" CONCRETE RAMP
SF	INSTALL SILT FENCE
PF	INSTALL PROTECTIVE FENCING
CD	INSTALL CHECK DAM, STONE
TM	TEMPORARY SEEDING/MULCH BLANKET
MB	MULCH BLANKET, HIGH VELOCITY
OS	INSTALL OUTLET STRUCTURE

Know what's below.
Call before you dig.

PROJECT MANAGEMENT - PUBLIC SERVICES - CITY OF ANN ARBOR

PHASE 2 - HMA SHARED USE PATH

STONE SCHOOL ROAD SHARED USE PATH

STA. 0+00 TO STA. 5+00

SCALE PLAN: 1" = 20'

PROFILE: 1" = 2'

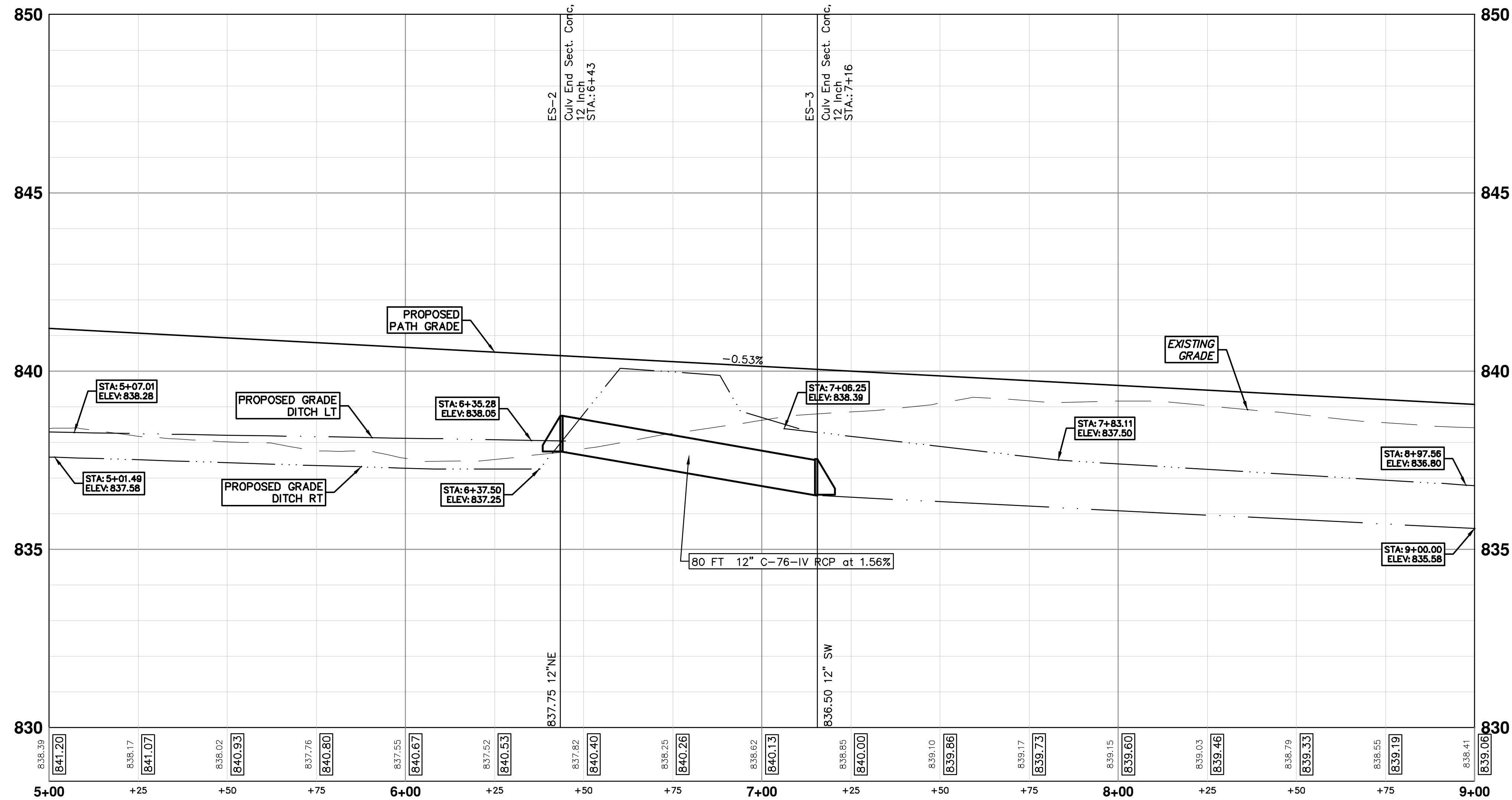
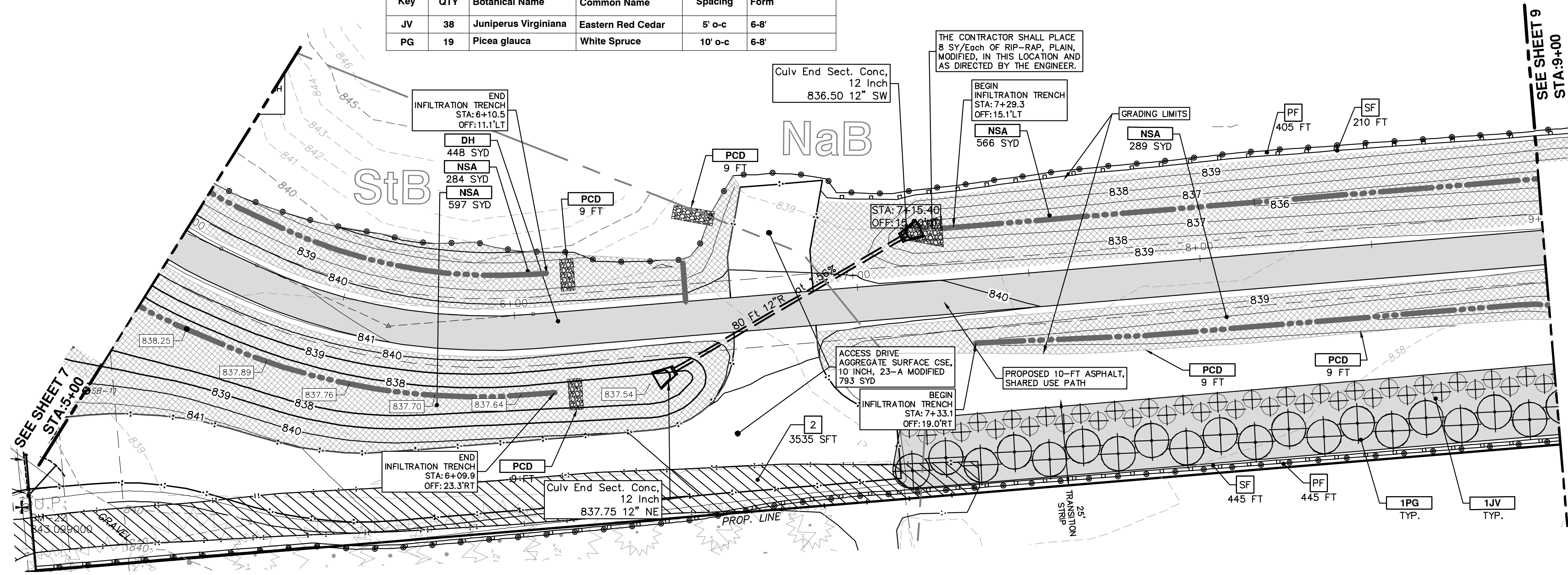
DRAWING No. **2014031-7**

SHEET No. **7 OF 14**

R:\2014031 Wheeler Center PUD\Plan Production\Construction Set\2014031PPSW2.dwg Dwg Created: 13-Mar-18 - _a2 standard bw.stb - Plot Date: 5-Mar-19

Plant Schedule

Key	QTY	Botanical Name	Common Name	Spacing	Form
JV	38	Juniperus Virginiana	Eastern Red Cedar	5' o-c	6-8'
PG	19	Picea glauca	White Spruce	10' o-c	6-8'



REMOVAL KEY	
KEY	DESCRIPTION
1	REMOVE EXISTING PAVEMENT - ANY THICKNESS, SAWCUT FULL DEPTH AT REMOVAL LIMITS
2	REMOVE EXISTING GRAVEL - ANY THICKNESS, (INCLUDED IN WORK ITEM "MACHINE GRADING, MODIFIED, _____")
3	TREE, REM, 6 INCH TO 18 INCH (BY OTHERS)
4	FENCE, REM
5	CLEARING (BY OTHERS)
6	STUMP, REM, 6 INCH TO 18 INCH

CONSTRUCTION KEY	
KEY	DESCRIPTION
NSA	NATIVE SEEDING AREA
DH	NEW HMA PATH
ABO	ADJUST BY OTHERS
DWS	DETECTABLE WARNING SURFACE, MODIFIED
PCD	PERMANENT CHECK DAM
RH	RESURFACE HMA PATH
HP	HAND PATCHING
SW4	4" CONCRETE SIDEWALK
SWR6	6" CONCRETE RAMP

SESC MEASURES KEY	
KEY	DESCRIPTION
SF	INSTALL SILT FENCE
PF	INSTALL PROTECTIVE FENCING
CD	INSTALL CHECK DAM, STONE
TM	TEMPORARY SEEDING/MULCH BLANKET
MB	MULCH BLANKET, HIGH VELOCITY
OS	INSTALL OUTLET STRUCTURE

811
Know what's below.
Call Before you dig.

01 MWRRC COMMENTS
3-9-18
1-6-17
DATE
DRAWN
CHECKED

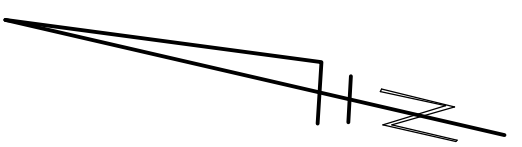
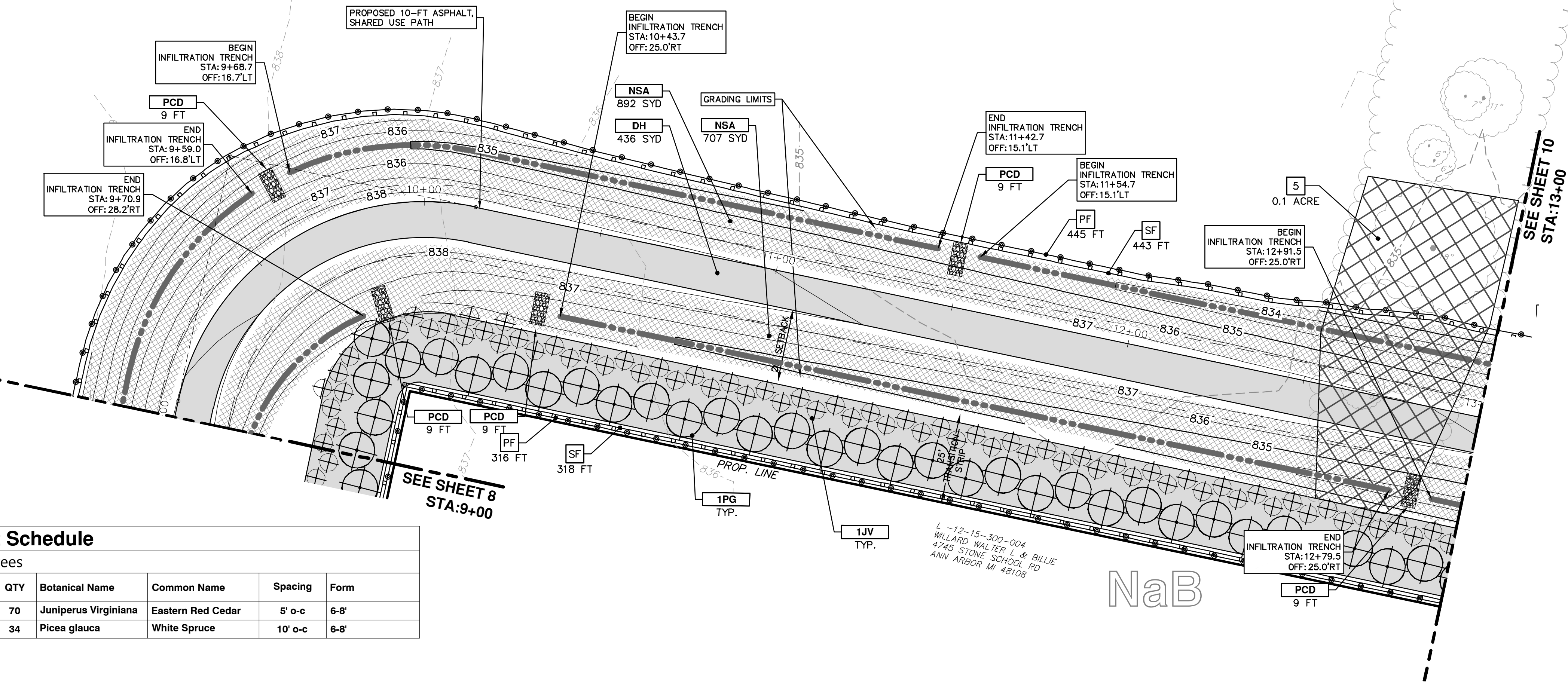
CITY OF ANN ARBOR
PUBLIC SERVICES
301 EAST HURON STREET
ANN ARBOR, MI 48106-8647
ANN ARBOR PHONE: 734.764.4410
WWW.A2GOV.ORG

PROJECT MANAGEMENT - PUBLIC SERVICES - CITY OF ANN ARBOR
PHASE 2 - HMA SHARED USE PATH
STONE SCHOOL ROAD SHARED USE PATH
STA. 5+00 TO STA. 9+00

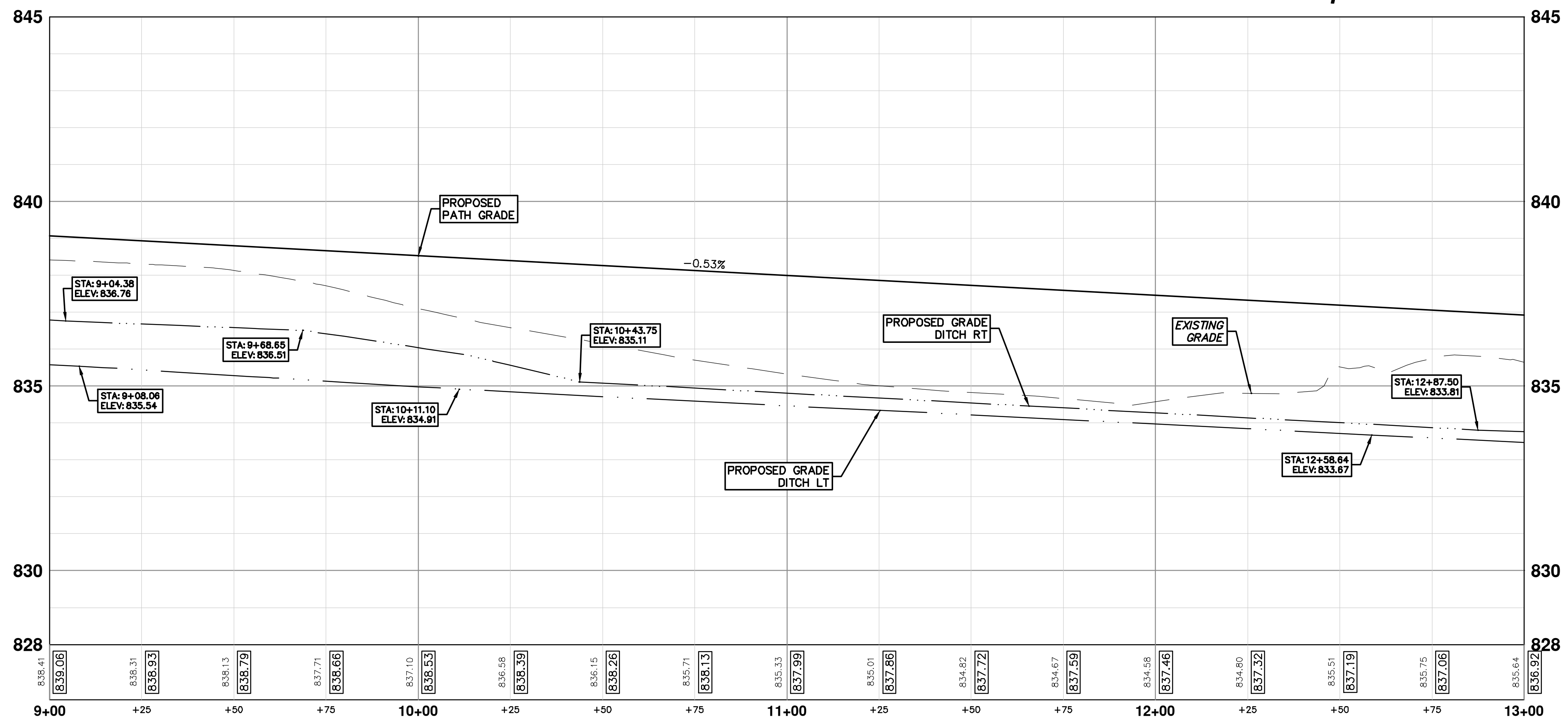
SHEET No. **8 OF 14**

SCALE PLAN: 1" = 20'
PROFILE: 1" = 2'
DRAWING No. **2014031-8**

R:\2014031 Wheeler Center PUD\Plan Production\Construction Set\2014031PPSW2.dwg Dwg Created: 13-Mar-18 - _o2 standard bw.stb - Plot Date: 5-Mar-19



Plant Schedule					
B&B Trees					
Key	QTY	Botanical Name	Common Name	Spacing	Form
JV	70	Juniperus Virginiana	Eastern Red Cedar	5' o-c	6-8'
PG	34	Picea glauca	White Spruce	10' o-c	6-8'



REMOVAL KEY	
KEY	DESCRIPTION
1	REMOVE EXISTING PAVEMENT - ANY THICKNESS, SAWCUT FULL DEPTH AT REMOVAL LIMITS
2	REMOVE EXISTING GRAVEL - ANY THICKNESS, (INCLUDED IN WORK ITEM "MACHINE GRADING, MODIFIED, ___")
3	TREE, REM, 6 INCH TO 18 INCH (BY OTHERS)
4	FENCE, REM
5	CLEARING (BY OTHERS)
6	STUMP, REM, 6 INCH TO 18 INCH

CONSTRUCTION KEY	
KEY	DESCRIPTION
NSA	NATIVE SEEDING AREA
DH	NEW HMA PATH
ABO	ADJUST BY OTHERS
DWS	DETECTABLE WARNING SURFACE, MODIFIED
PCD	PERMANENT CHECK DAM
RH	RESURFACE HMA PATH
HP	HAND PATCHING
SW4	4" CONCRETE SIDEWALK
SWR6	6" CONCRETE RAMP

SESC MEASURES KEY	
KEY	DESCRIPTION
SF	INSTALL SILT FENCE
PF	INSTALL PROTECTIVE FENCING
CD	INSTALL CHECK DAM, STONE
TM	TEMPORARY SEEDING/MULCH BLANKET
MB	MULCH BLANKET, HIGH VELOCITY
OS	INSTALL OUTLET STRUCTURE

DATE	1-6-17	DRAWN	CED
REVIEW SET	3-9-18	CEC	DAD
DESCRIPTION	01	NCWRC COMMENTS	01
REV.			

CITY OF ANN ARBOR
PUBLIC SERVICES
301 EAST HURON STREET
ANN ARBOR, MI 48106-0647
734.764.4410
www.a2gov.org

PROJECT MANAGEMENT - PUBLIC SERVICES - CITY OF ANN ARBOR

SCALE PLAN: 1" = 20'
PROFILE: 1" = 2'

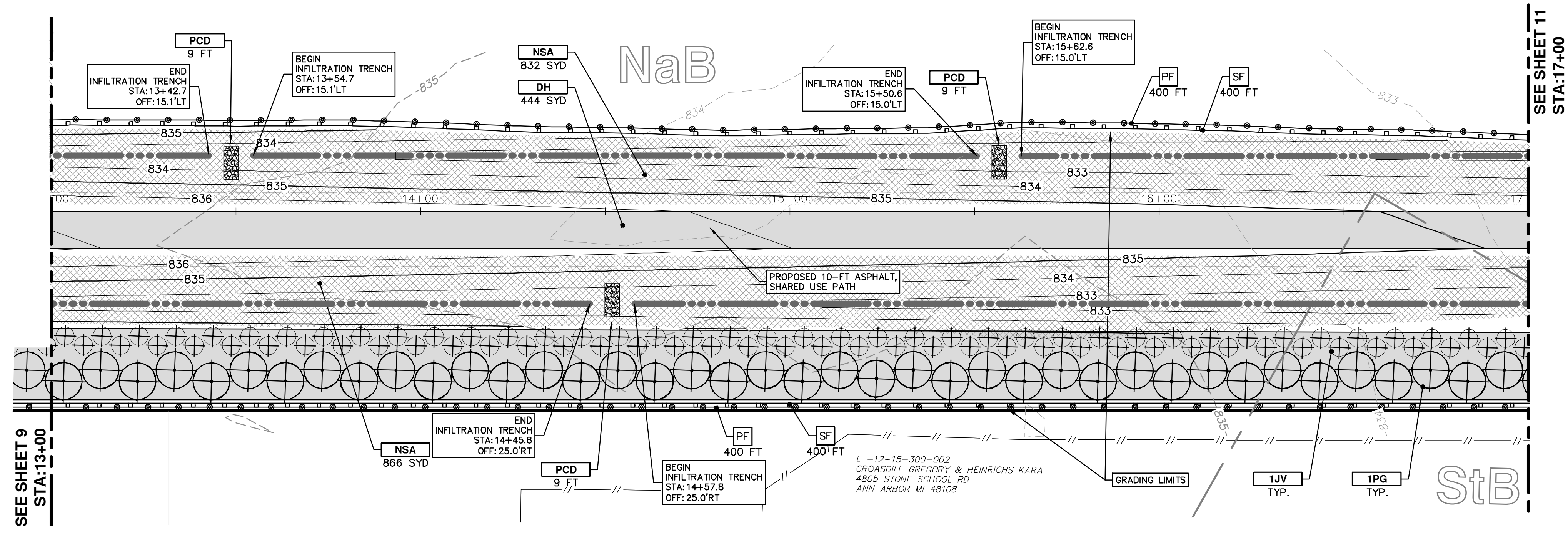
PHASE 2 - HMA SHARED USE PATH
STONE SCHOOL ROAD SHARED USE PATH

STA. 9+00 TO STA. 13+00

SHEET No. **9 OF 14**

DRAWING No. **2014031-9**

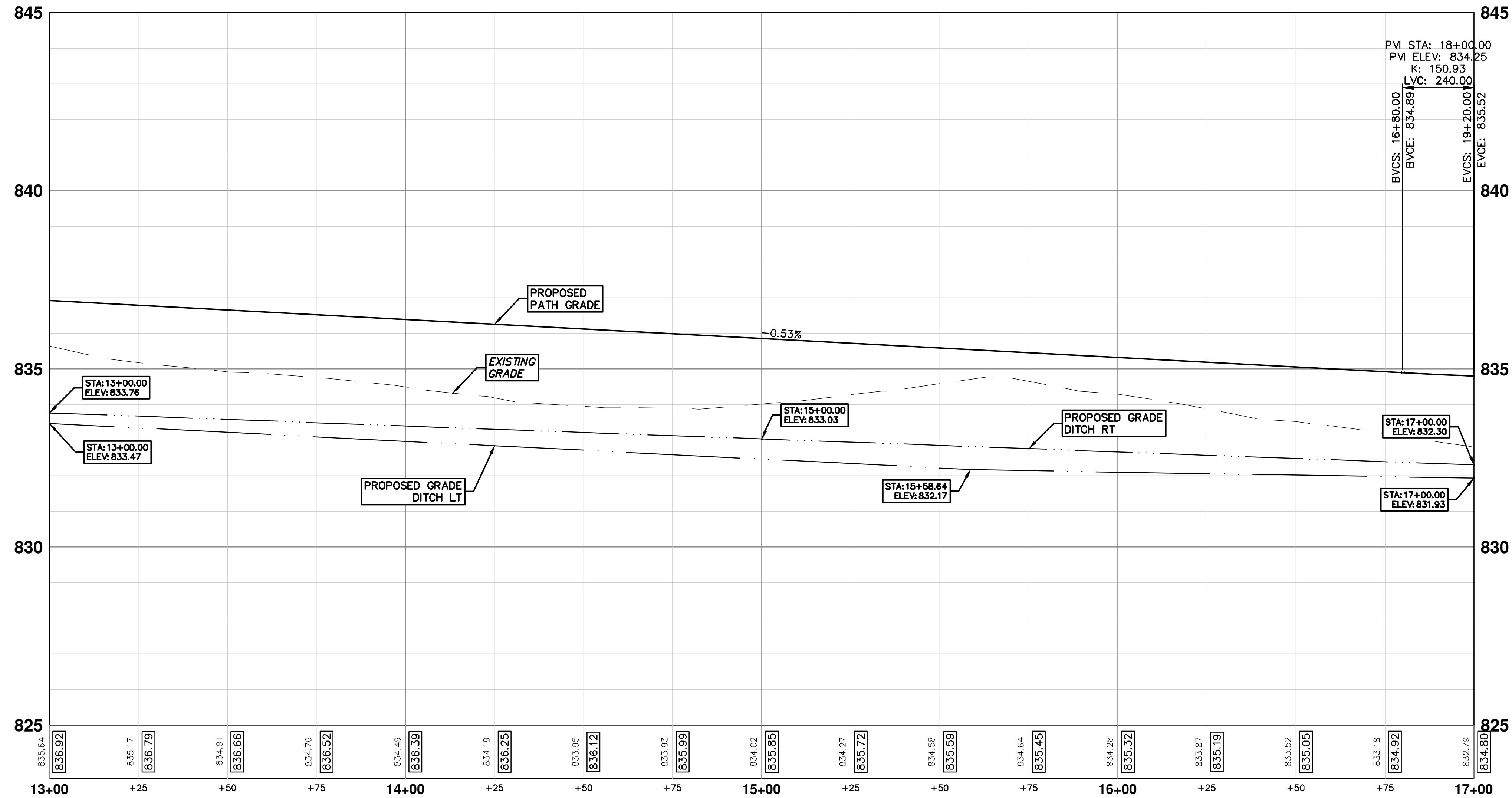
R: \2014031 - Wheeler Center - PUD - Plan - Production - Construction - Set\2014031PPSW2.dwg Dwg Created: 13-Mar-18 - _a2 standard bw.stb - Plot Date: 5-Mar-19



Plant Schedule

B&B Trees

Key	QTY	Botanical Name	Common Name	Spacing	Form
JV	80	Juniperus Virginiana	Eastern Red Cedar	5' o-c	6-8'
PG	40	Picea glauca	White Spruce	10' o-c	6-8'



REMOVAL KEY

KEY	DESCRIPTION
1	REMOVE EXISTING PAVEMENT - ANY THICKNESS, SAWCUT FULL DEPTH AT REMOVAL LIMITS
2	REMOVE EXISTING GRAVEL - ANY THICKNESS, (INCLUDED IN WORK ITEM "MACHINE GRADING, MODIFIED, ____")
3	TREE, REM, 6 INCH TO 18 INCH (BY OTHERS)
4	FENCE, REM
5	CLEARING (BY OTHERS)
6	STUMP, REM, 6 INCH TO 18 INCH

CONSTRUCTION KEY

KEY	DESCRIPTION
NSA	NATIVE SEEDING AREA
DH	NEW HMA PATH
ABO	ADJUST BY OTHERS
DWS	DETECTABLE WARNING SURFACE, MODIFIED
PCD	PERMANENT CHECK DAM
RH	RESURFACE HMA PATH
HP	HAND PATCHING
SW4	4" CONCRETE SIDEWALK
SW6	6" CONCRETE RAMP

SESC MEASURES KEY

KEY	DESCRIPTION
SF	INSTALL SILT FENCE
PF	INSTALL PROTECTIVE FENCING
CD	INSTALL CHECK DAM, STONE
TM	TEMPORARY SEEDING/MULCH BLANKET
MB	MULCH BLANKET, HIGH VELOCITY
OS	INSTALL OUTLET STRUCTURE

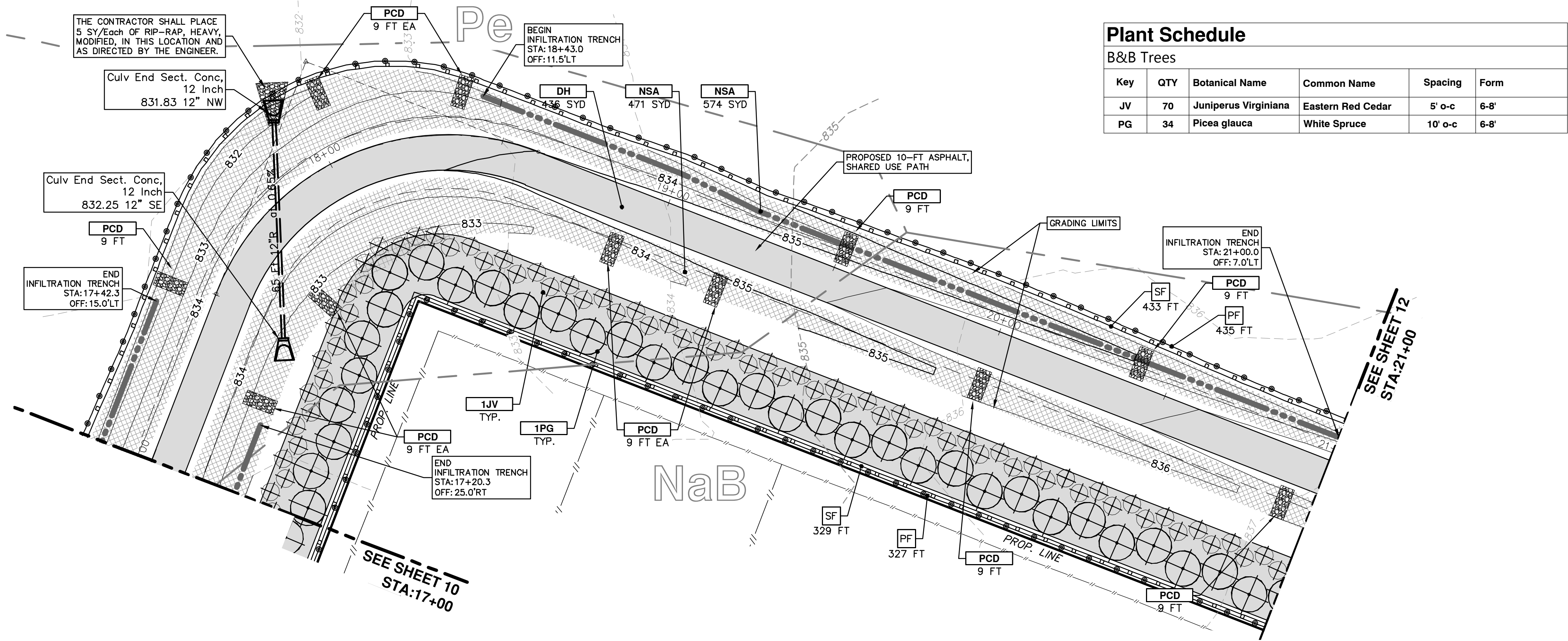


CITY OF ANN ARBOR
PUBLIC SERVICES
301 EAST HURON STREET
ANN ARBOR, MI 48106-1800
734.784.4410
www.a2gov.org

PROJECT MANAGEMENT - PUBLIC SERVICES - CITY OF ANN ARBOR
PHASE 2 - HMA SHARED USE PATH
STONE SCHOOL ROAD SHARED USE PATH
STA. 13+00 TO STA. 17+00

SHEET No. 10 OF 14
SCALE PLAN: 1" = 20'
PROFILE: 1" = 2'
DRAWING No. 2014031-10

REV.	DATE	DESCRIPTION
01	3-9-18	MCWRC COMMENTS
00	1-6-17	REVIEW SET
		DRAWN
		CHECKED



Plant Schedule

B&B Trees

Key	QTY	Botanical Name	Common Name	Spacing	Form
JV	70	Juniperus Virginiana	Eastern Red Cedar	5' o-c	6-8'
PG	34	Picea glauca	White Spruce	10' o-c	6-8'

REMOVAL KEY

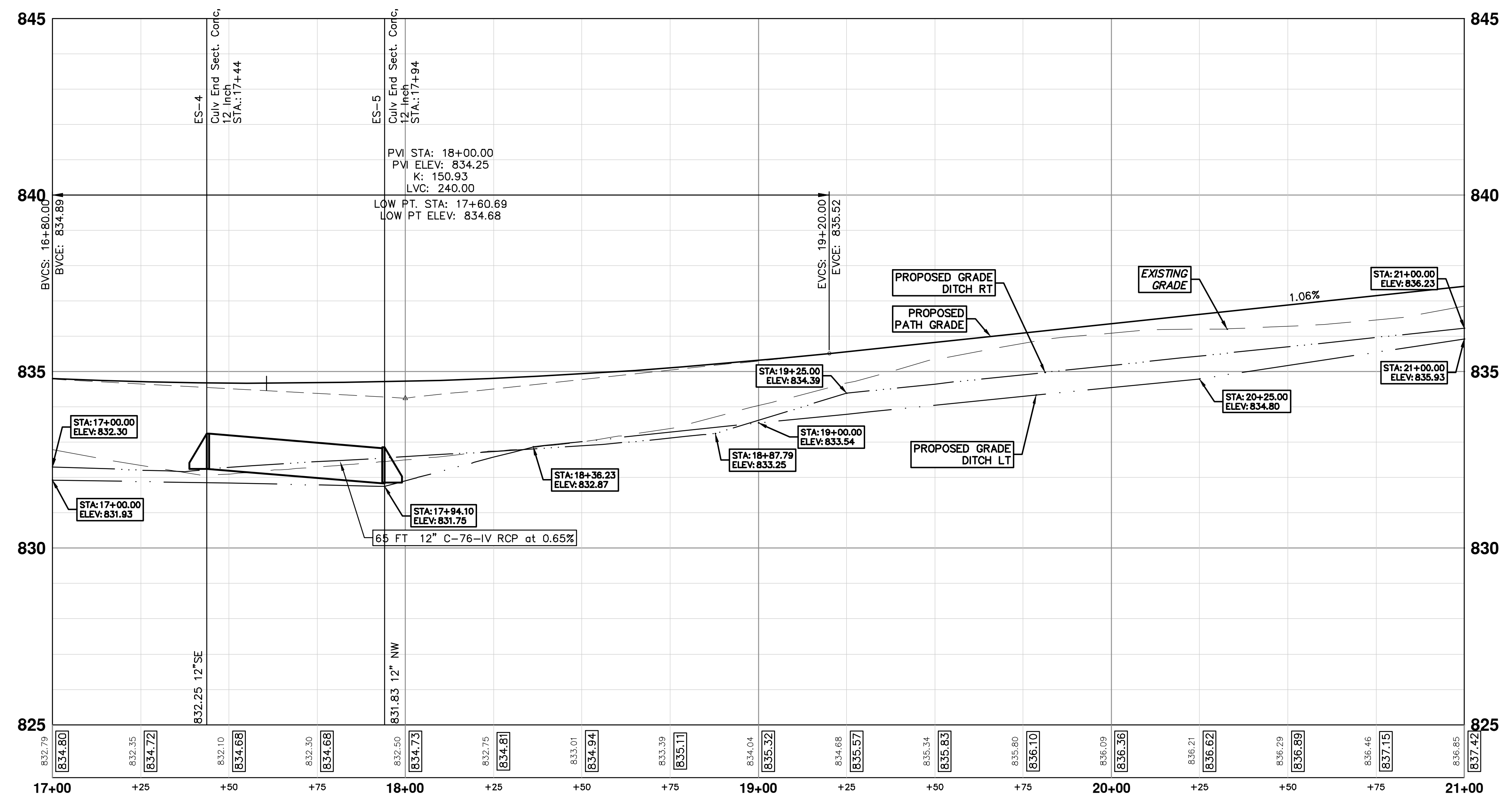
KEY	DESCRIPTION
1	REMOVE EXISTING PAVEMENT - ANY THICKNESS, SAWCUT FULL DEPTH AT REMOVAL LIMITS
2	REMOVE EXISTING GRAVEL - ANY THICKNESS, (INCLUDED IN WORK ITEM "MACHINE GRADING, MODIFIED, ...")
3	TREE, REM, 6 INCH TO 18 INCH (BY OTHERS)
4	FENCE, REM
5	CLEARING (BY OTHERS)
6	STUMP, REM, 6 INCH TO 18 INCH

CONSTRUCTION KEY

KEY	DESCRIPTION
NSA	NATIVE SEEDING AREA
DH	NEW HMA PATH
ABO	ADJUST BY OTHERS
DWS	DETECTABLE WARNING SURFACE, MODIFIED
PCD	PERMANENT CHECK DAM
RH	RESURFACE HMA PATH
HP	HAND PATCHING
SW4	4" CONCRETE SIDEWALK
SWR6	6" CONCRETE RAMP

SECS MEASURES KEY

KEY	DESCRIPTION
SF	INSTALL SILT FENCE
PF	INSTALL PROTECTIVE FENCING
CD	INSTALL CHECK DAM, STONE
TM	TEMPORARY SEEDING/MULCH BLANKET
MB	MULCH BLANKET, HIGH VELOCITY
OS	INSTALL OUTLET STRUCTURE



Know what's below.
Call before you dig.

DAD	DAD	DAD	DAD	DAD
3-9-18	3-9-18	1-6-17	DATE	DESCRIPTION
01	01	00	REV.	REV.

CITY OF ANN ARBOR
 PUBLIC SERVICES
 301 EAST HURON STREET
 ANN ARBOR, MI 48106-8647
 ANN ARBOR FAX 810-9647
 734-764-6410
 www.a2gov.org

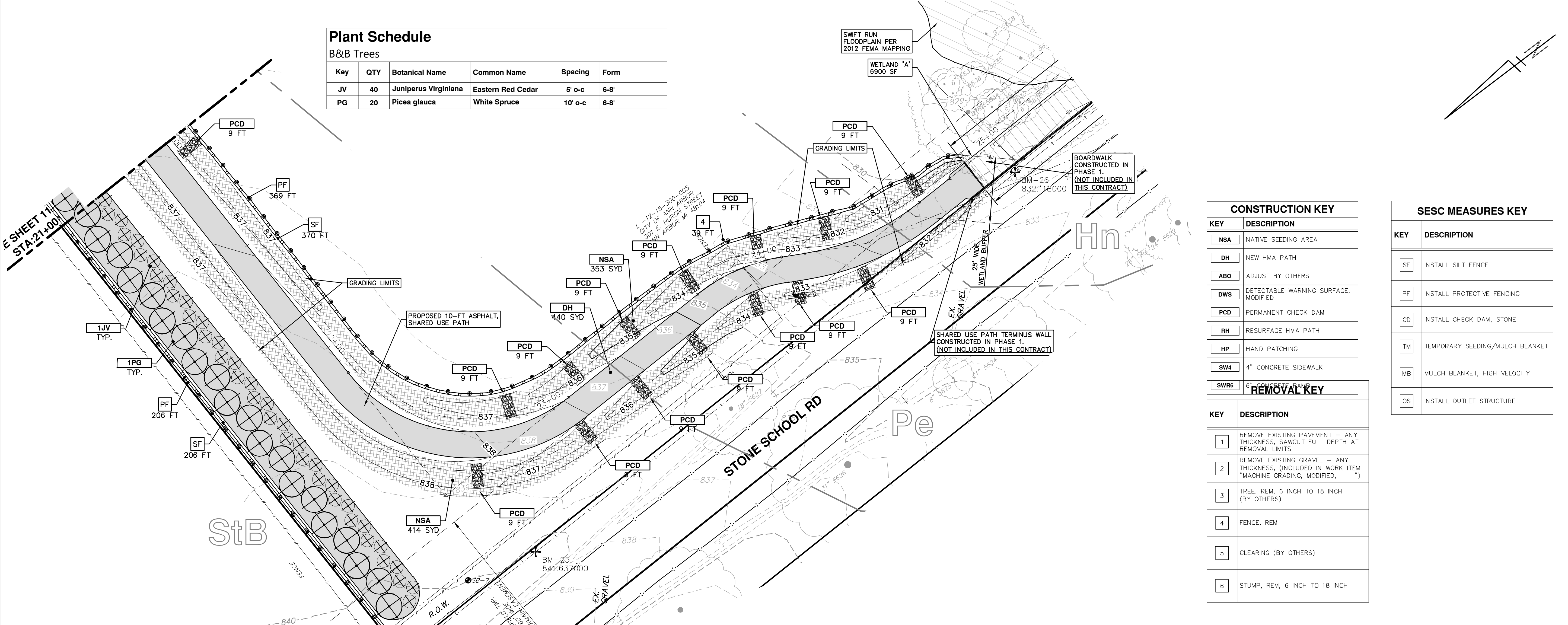
PROJECT MANAGEMENT - PUBLIC SERVICES - CITY OF ANN ARBOR
PHASE 2 - HMA SHARED USE PATH
 STONE SCHOOL ROAD SHARED USE PATH
 STA. 17+00 TO STA. 21+00

SCALE PLAN: 1" = 20'
 PROFILE: 1" = 2'
 SHEET No. **11 OF 14**
 DRAWING No. **2014031-11**

R:\2014031\Wheeler Center_PUD\Plan_Production\Construction Set\2014031PPSW2.dwg Dwg Created: 13-Mar-18 --_a2_standard_bw.stb -- Plot Date: 5-Mar-19

Plant Schedule

B&B Trees					
Key	QTY	Botanical Name	Common Name	Spacing	Form
JV	40	Juniperus Virginiana	Eastern Red Cedar	5' o-c	6-8'
PG	20	Picea glauca	White Spruce	10' o-c	6-8'



CONSTRUCTION KEY

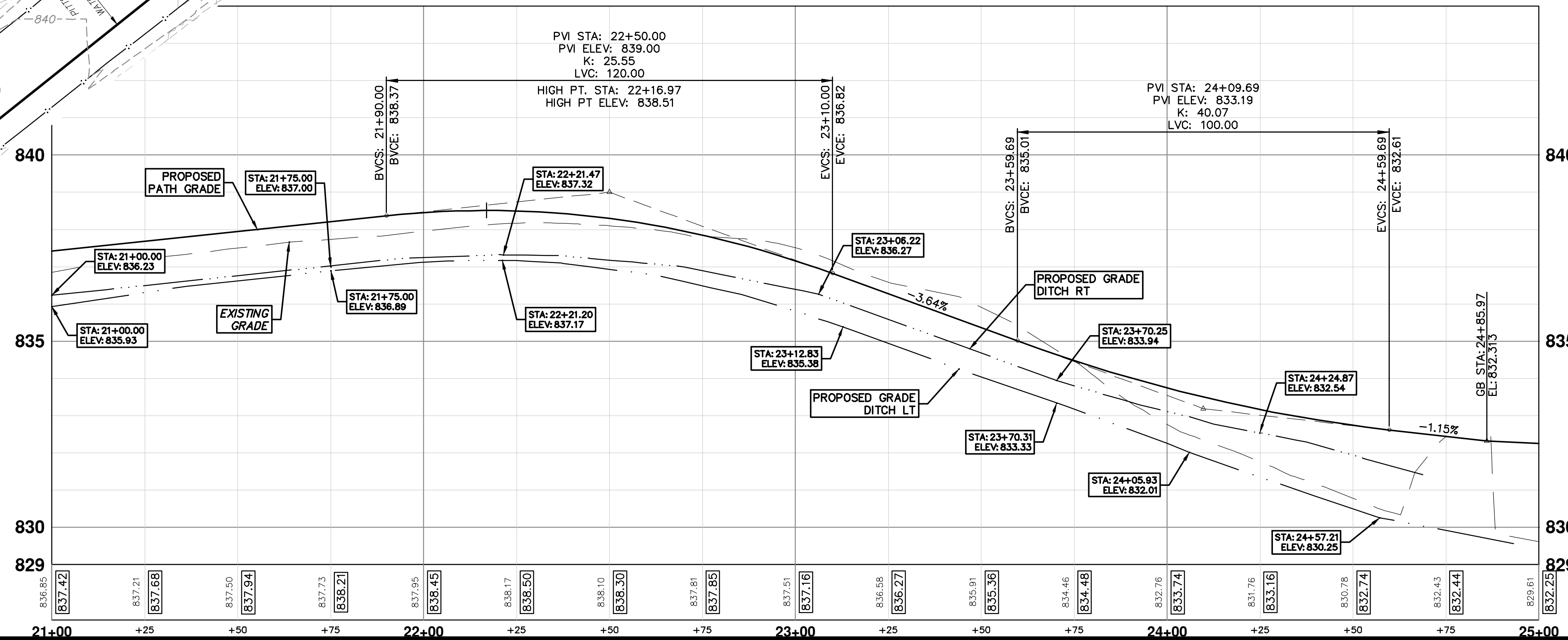
KEY	DESCRIPTION
NSA	NATIVE SEEDING AREA
DH	NEW HMA PATH
ABO	ADJUST BY OTHERS
DWS	DETECTABLE WARNING SURFACE, MODIFIED
PCD	PERMANENT CHECK DAM
RH	RESURFACE HMA PATH
HP	HAND PATCHING
SW4	4" CONCRETE SIDEWALK
SWR6	6" CONCRETE BAND

REMOVAL KEY

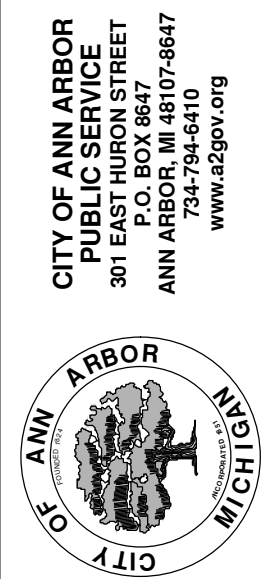
KEY	DESCRIPTION
1	REMOVE EXISTING PAVEMENT - ANY THICKNESS, SAWCUT FULL DEPTH AT REMOVAL LIMITS
2	REMOVE EXISTING GRAVEL - ANY THICKNESS, (INCLUDED IN WORK ITEM "MACHINE GRADING, MODIFIED, ...")
3	TREE, REM, 6 INCH TO 18 INCH (BY OTHERS)
4	FENCE, REM
5	CLEARING (BY OTHERS)
6	STUMP, REM, 6 INCH TO 18 INCH

SESC MEASURES KEY

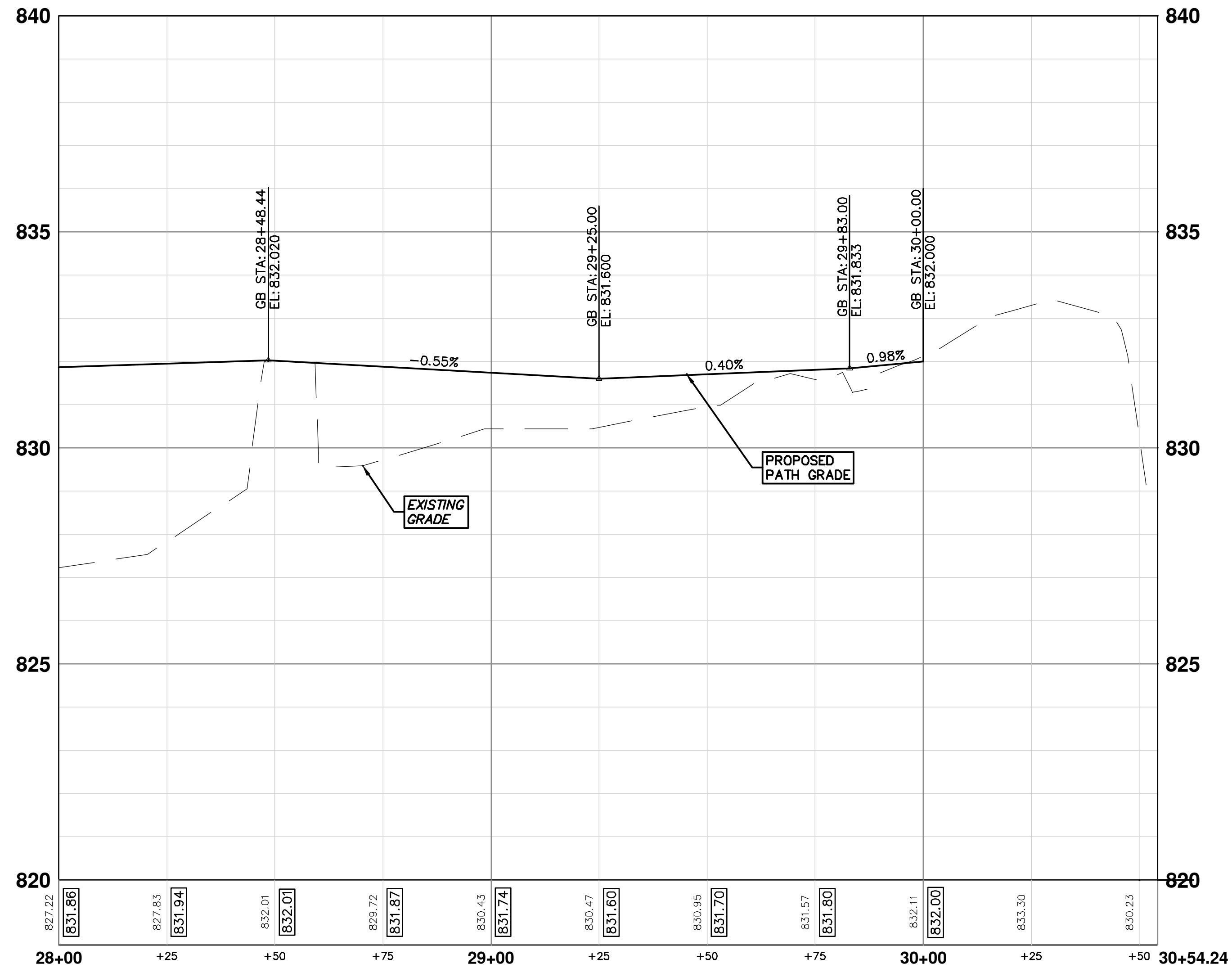
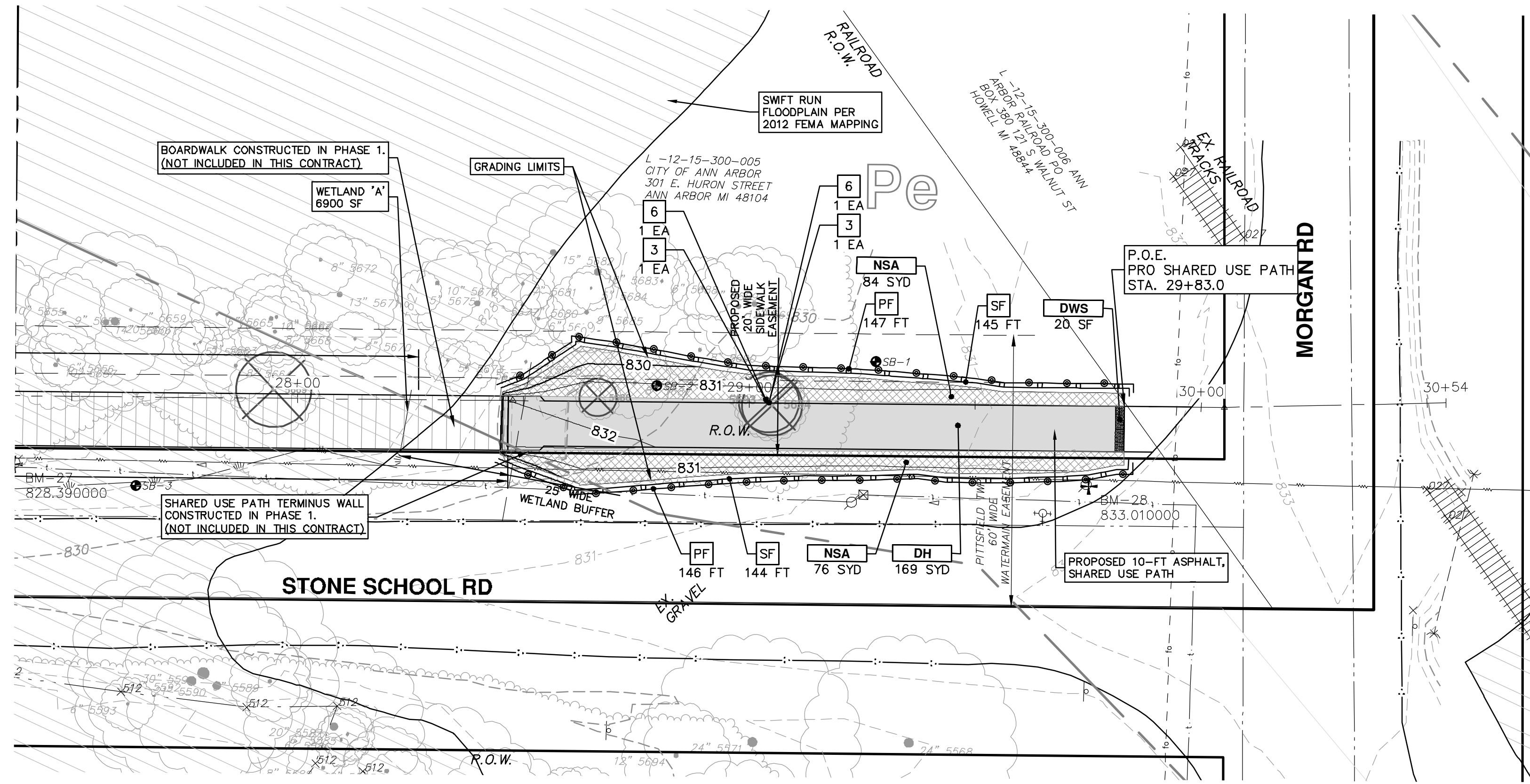
KEY	DESCRIPTION
SF	INSTALL SILT FENCE
PF	INSTALL PROTECTIVE FENCING
CD	INSTALL CHECK DAM, STONE
TM	TEMPORARY SEEDING/MULCH BLANKET
MB	MULCH BLANKET, HIGH VELOCITY
OS	INSTALL OUTLET STRUCTURE



REV.	DATE	DESCRIPTION
01	3-9-18	WRC COMMENTS
00	1-6-17	REVIEW SET



PROJECT MANAGEMENT - PUBLIC SERVICES - CITY OF ANN ARBOR
PHASE 2 - HMA SHARED USE PATH
 STONE SCHOOL ROAD SHARED USE PATH
 STA. 21+00 TO STA. 25+40
 SCALE PLAN: 1" = 20'
 PROFILE: 1" = 2'
 SHEET No. 12 OF 14
 DRAWING No. 2014031-12



REMOVAL KEY	
KEY	DESCRIPTION
1	REMOVE EXISTING PAVEMENT - ANY THICKNESS, SAWCUT FULL DEPTH AT REMOVAL LIMITS
2	REMOVE EXISTING GRAVEL - ANY THICKNESS, (INCLUDED IN WORK ITEM "MACHINE GRADING, MODIFIED, ...")
3	TREE, REM. 6 INCH TO 18 INCH (BY OTHERS)
4	FENCE, REM
5	CLEARING (BY OTHERS)
6	STUMP, REM. 6 INCH TO 18 INCH

CONSTRUCTION KEY	
KEY	DESCRIPTION
NSA	NATIVE SEEDING AREA
DH	NEW HMA PATH
ABO	ADJUST BY OTHERS
DWS	DETECTABLE WARNING SURFACE, MODIFIED
PCD	PERMANENT CHECK DAM
RH	RESURFACE HMA PATH
HP	HAND PATCHING
SW4	4" CONCRETE SIDEWALK
SW6	6" CONCRETE RAMP

SESC MEASURES KEY	
KEY	DESCRIPTION
SF	INSTALL SILT FENCE
PF	INSTALL PROTECTIVE FENCING
CD	INSTALL CHECK DAM, STONE
TM	TEMPORARY SEEDING/MULCH BLANKET
MB	MULCH BLANKET, HIGH VELOCITY
OS	INSTALL OUTLET STRUCTURE



REV.	DESCRIPTION	DATE	DRAWN	CHECKED
01	NCWRC COMMENTS	3-9-18	CEC	DAD
00	REVIEW SET	1-6-17	CEC	DAD

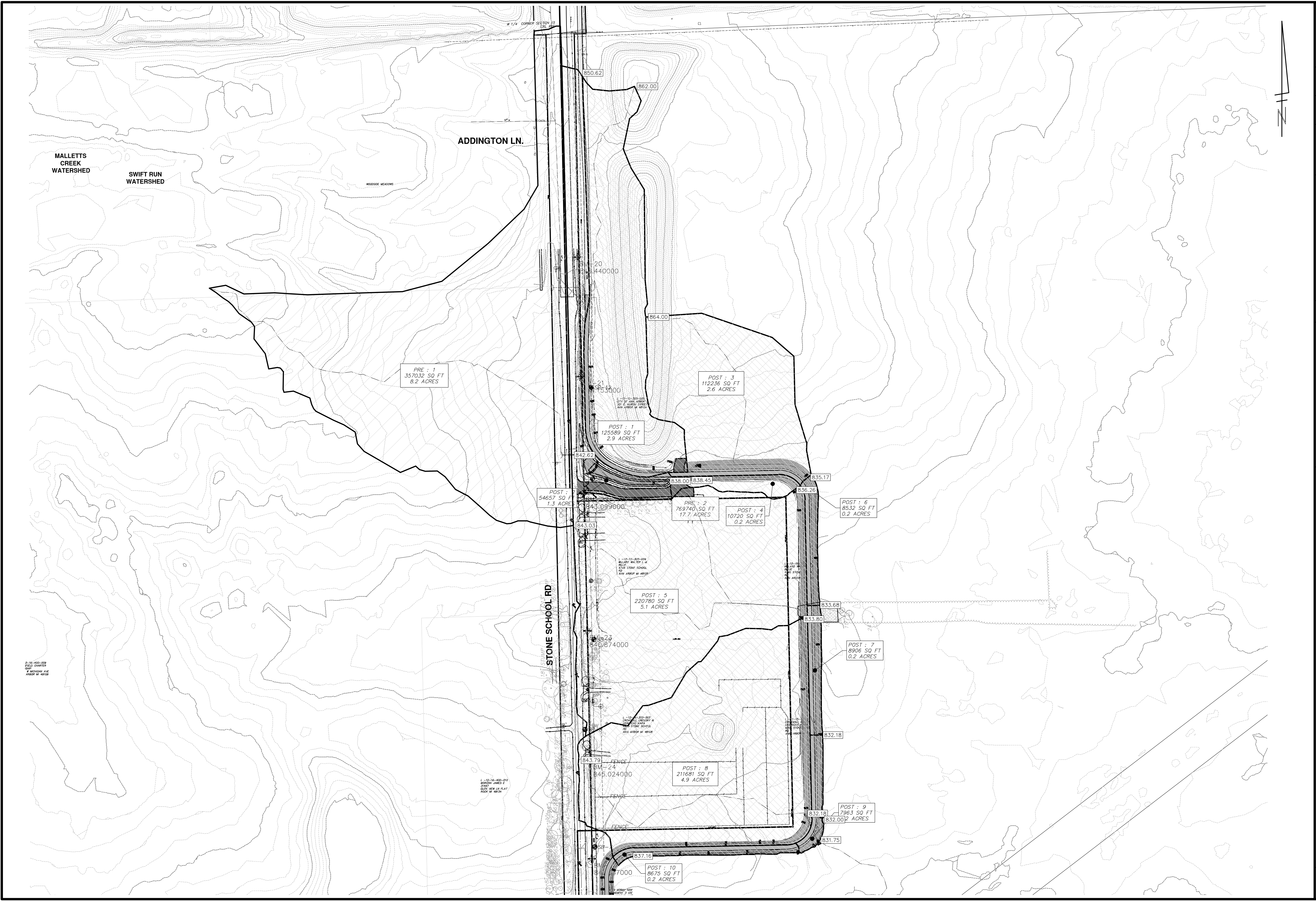
CITY OF ANN ARBOR
PUBLIC SERVICES
301 EAST HURON STREET
ANN ARBOR MI 48106-1800
734.754.4410
www.a2gov.org



PROJECT MANAGEMENT - PUBLIC SERVICES - CITY OF ANN ARBOR
PHASE 2 - HMA SHARED USE PATH
STONE SCHOOL ROAD SHARED USE PATH
STA. 28+00 TO STA. 30+54

SHEET No. **13 OF 14**
SCALE PLAN: 1" = 20'
PROFILE: 1" = 2'
DRAWING No. **2014031-13**

R:\2014031 Wheeler Center PUD\Plan Production\Construction Set\2014031 Drainage Map.dwg Dwg Created: 9-Mar-18 - _a2_standard_bw.stb - Plot Date: 5-Mar-19



PROJECT MANAGEMENT - PUBLIC SERVICES - CITY OF ANN ARBOR
PHASE 2 - HMA SHARED USE PATH
PATH DRAINAGE AREA MAP

SCALE PLAN: 1" = 100'

DRAWING No. **2014031-14**

SHEET No. **14 OF 14**

811
 Know what's below.
 Call Before you dig.

CITY OF ANN ARBOR
 PUBLIC SERVICES
 301 EAST HURON STREET
 ANN ARBOR, MI 48106-1800
 ANN ARBOR PHONE: 734.764.4410
 WWW.A2GOV.ORG

REV.	DESCRIPTION	DATE	DRAWN	CHECKED