

PUBLIC IMPROVEMENT REQUEST FOR PROPOSAL

RFP# 24-14

2024 Sidewalk Gap Project

City of Ann Arbor
Engineering/ Public Services



Due Date: April 2, 2024 by 3:00 p.m. (local time)

Issued By:

City of Ann Arbor
Procurement Unit
301 E. Huron Street
Ann Arbor, MI 48104

TABLE OF CONTENTS

SECTION I: GENERAL INFORMATION.....3

SECTION II: SCOPE OF WORK.....11

SECTION III: MINIMUM INFORMATION REQUIRED12

SECTION IV: ATTACHMENTS Appendix 1

SECTION I - GENERAL INFORMATION

A. OBJECTIVE

The purpose of this Request for Proposal (RFP) is to select a firm to provide construction services for the 2024 Sidewalk Gap Project.

B. BID SECURITY

Each bid must be accompanied by a certified check or Bid Bond by a surety licensed and authorized to do business within the State of Michigan, in the amount of 5% of the total of the bid price.

Proposals that fail to provide a bid security upon proposal opening will be deemed non-responsive and will not be considered for award.

C. QUESTIONS AND CLARIFICATIONS / DESIGNATED CITY CONTACTS

All questions regarding this Request for Proposal (RFP) shall be submitted via e-mail. Questions will be accepted and answered in accordance with the terms and conditions of this RFP.

All questions shall be submitted on or before March 18, 2024 at 11:00 a.m (local time), and should be addressed as follows:

Scope of Work/Proposal Content questions shall be e-mailed to Francisca Chan, Project Manager, fchan@a2gov.org

RFP Process and Compliance questions shall be e-mailed to Colin Spencer, Buyer - CSpencer@a2gov.org

Should any prospective bidder be in doubt as to the true meaning of any portion of this RFP, or should the prospective bidder find any ambiguity, inconsistency, or omission therein, the prospective bidder shall make a written request for an official interpretation or correction by the due date for questions above.

All interpretations, corrections, or additions to this RFP will be made only as an official addendum that will be posted to a2gov.org and MITN.info and it shall be the prospective bidder's responsibility to ensure they have received all addenda before submitting a proposal. Any addendum issued by the City shall become part of the RFP, and must be incorporated in the proposal where applicable.

D. PRE-PROPOSAL MEETING

No pre-proposal meeting will be held for this RFP. Please contact staff indicated above with general questions regarding the RFP.

E. PROPOSAL FORMAT

To be considered, each firm must submit a response to this RFP using the format provided in Section III. No other distribution of proposals is to be made by the prospective bidder. An official authorized to bind the bidder to its provisions must sign the proposal. Each proposal must remain valid for at least one hundred and twenty (120) days from the due date of this RFP.

Proposals should be prepared simply and economically providing a straightforward, concise description of the bidder's ability to meet the requirements of the RFP. No erasures are permitted. Mistakes may be crossed out and corrected and must be initialed in ink by the person signing the proposal.

F. SELECTION CRITERIA

Responses to this RFP will be evaluated using a point system as shown in Section III. A selection committee comprised primarily of staff from the City will complete the evaluation.

If interviews are desired by the City, the selected firms will be given the opportunity to discuss their proposal, qualifications, past experience, and their fee proposal in more detail. The City further reserves the right to interview the key personnel assigned by the selected bidder to this project.

All proposals submitted may be subject to clarifications and further negotiation. All agreements resulting from negotiations that differ from what is represented within the RFP or in the proposal response shall be documented and included as part of the final contract.

G. SEALED PROPOSAL SUBMISSION

All proposals are due and must be delivered to the City on or before April 2, 2024 by 3:00 p.m. (local time). Proposals submitted late or via oral, telephonic, telegraphic, electronic mail or facsimile **will not** be considered or accepted.

Each respondent should submit in a sealed envelope

- **one (1) original proposal**
- **one (1) USB/Flash drive that contains one (1) digital copy of the proposal preferably on a USB/flash drive as one file in PDF format.**

Proposals submitted should be clearly marked: **“RFP No. 24-14 – 2024 Sidewalk Gap Project”** and list the bidder's name and address.

Proposals must be addressed and delivered to:

City of Ann Arbor
c/o Customer Service
301 East Huron Street
Ann Arbor, MI 48107

All proposals received on or before the due date will be publicly opened and recorded on the due date. No immediate decisions will be rendered.

Hand delivered proposals may be dropped off in the Purchasing drop box located in the Ann Street (north) vestibule/entrance of City Hall which is open to the public Monday through Friday from 8am to 5pm (except holidays). The City will not be liable to any prospective bidder for any unforeseen circumstances, delivery, or postal delays. Postmarking on the due date will not substitute for receipt of the proposal.

Bidders are responsible for submission of their proposal. Additional time will not be granted to a single prospective bidder. However, additional time may be granted to all prospective bidders at the discretion of the City.

A proposal may be disqualified if the following required forms are not included with the proposal:

- **Attachment D - Prevailing Wage Declaration of Compliance**
- **Attachment E - Living Wage Declaration of Compliance**
- **Attachment G - Vendor Conflict of Interest Disclosure Form**
- **Attachment H - Non-Discrimination Declaration of Compliance**

Proposals that fail to provide these forms listed above upon proposal opening may be deemed non-responsive and may not be considered for award.

H. DISCLOSURES

Under the Freedom of Information Act (Public Act 442), the City is obligated to permit review of its files, if requested by others. All information in a proposal is subject to disclosure under this provision. This act also provides for a complete disclosure of contracts and attachments thereto.

I. TYPE OF CONTRACT

A sample of the Construction Agreement is included as Attachment A. Those who wish to submit a proposal to the City are required to review this sample agreement carefully. **The City will not entertain changes to its Construction Agreement.**

For all construction work, the respondent must further adhere to the City of Ann Arbor General Conditions. The General Conditions are included herein. Retainage will be held as necessary based on individual tasks and not on the total contract value. The

Contractor shall provide the required bonds included in the Contract Documents for the duration of the Contract.

The City reserves the right to award the total proposal, to reject any or all proposals in whole or in part, and to waive any informality or technical defects if, in the City's sole judgment, the best interests of the City will be so served.

This RFP and the selected bidder's response thereto, shall constitute the basis of the scope of services in the contract by reference.

J. NONDISCRIMINATION

All bidders proposing to do business with the City shall satisfy the contract compliance administrative policy adopted by the City Administrator in accordance with the Section 9:158 of the Ann Arbor City Code. Breach of the obligation not to discriminate as outlined in Attachment G shall be a material breach of the contract. Contractors are required to post a copy of Ann Arbor's Non-Discrimination Ordinance attached at all work locations where its employees provide services under a contract with the City.

K. WAGE REQUIREMENTS

The Attachments provided herein outline the requirements for payment of prevailing wages or of a "living wage" to employees providing service to the City under this contract. The successful bidder must comply with all applicable requirements and provide documentary proof of compliance when requested.

Pursuant to Resolution R-16-469 all public improvement contractors are subject to prevailing wage and will be required to provide to the City payroll records sufficient to demonstrate compliance with the prevailing wage requirements. Use of Michigan Department of Transportation Prevailing Wage Forms (sample attached hereto) or a City-approved equivalent will be required along with wage rate interviews.

For laborers whose wage level are subject to federal, state and/or local prevailing wage law the appropriate Davis-Bacon wage rate classification is identified based upon the work including within this contract. **The wage determination(s) current on the date 10 days before proposals are due shall apply to this contract.** The U.S. Department of Labor (DOL) has provided explanations to assist with classification in the following resource link: www.wdol.gov.

For the purposes of this RFP the Construction Type of Highway will apply.

L. CONFLICT OF INTEREST DISCLOSURE

The City of Ann Arbor Purchasing Policy requires that the consultant complete a Conflict of Interest Disclosure form. A contract may not be awarded to the selected bidder unless and until the Procurement Unit and the City Administrator have reviewed

the Disclosure form and determined that no conflict exists under applicable federal, state, or local law or administrative regulation. Not every relationship or situation disclosed on the Disclosure Form may be a disqualifying conflict. Depending on applicable law and regulations, some contracts may awarded on the recommendation of the City Administrator after full disclosure, where such action is allowed by law, if demonstrated competitive pricing exists and/or it is determined the award is in the best interest of the City. A copy of the Conflict of Interest Disclosure Form is attached.

M. COST LIABILITY

The City of Ann Arbor assumes no responsibility or liability for costs incurred by the bidder prior to the execution of an Agreement. The liability of the City is limited to the terms and conditions outlined in the Agreement. By submitting a proposal, bidder agrees to bear all costs incurred or related to the preparation, submission, and selection process for the proposal.

N. DEBARMENT

Submission of a proposal in response to this RFP is certification that the Respondent is not currently debarred, suspended, proposed for debarment, and declared ineligible or voluntarily excluded from participation in this transaction by any State or Federal departments or agency. Submission is also agreement that the City will be notified of any changes in this status.

O. PROPOSAL PROTEST

All proposal protests must be in writing and filed with the Purchasing Manager within five (5) business days of any notices of intent, including, but not exclusively, divisions on prequalification of bidders, shortlisting of bidders, or a notice of intent to award. Only bidders who responded to the solicitation may file a bid protest. The bidder must clearly state the reasons for the protest. If any bidder contacts a City Service Area/Unit and indicates a desire to protest an award, the Service Area/Unit shall refer the bidder to the Purchasing Manager. The Purchasing Manager will provide the bidder with the appropriate instructions for filing the protest. The protest shall be reviewed by the City Administrator or designee, whose decision shall be final.

Any inquiries or requests regarding this procurement should be only submitted in writing to the Designated City Contacts provided herein. Attempts by the bidder to initiate contact with anyone other than the Designated City Contacts provided herein that the bidder believes can influence the procurement decision, e.g., Elected Officials, City Administrator, Selection Committee Members, Appointed Committee Members, etc., may lead to immediate elimination from further consideration.

P. SCHEDULE

The following is the schedule for this RFP process.

Activity/Event	Anticipated Date
Written Question Deadline	March 18, 2024, 11:00 a.m. (Local Time)
Addenda Published (if needed)	Week of March 18, 2024
Proposal Due Date	April 2, 2024, 3:00 p.m. (Local Time)
Selection/Negotiations	April 2024
Expected City Council Authorizations	May/June 2024

The above schedule is for information purposes only and is subject to change at the City's discretion.

Q. IRS FORM W-9

The selected bidder will be required to provide the City of Ann Arbor an IRS form W-9.

R. RESERVATION OF RIGHTS

1. The City reserves the right in its sole and absolute discretion to accept or reject any or all proposals, or alternative proposals, in whole or in part, with or without cause.
2. The City reserves the right to waive, or not waive, informalities or irregularities in terms or conditions of any proposal if determined by the City to be in its best interest.
3. The City reserves the right to request additional information from any or all bidders.
4. The City reserves the right to reject any proposal that it determines to be unresponsive and deficient in any of the information requested within RFP.
5. The City reserves the right to determine whether the scope of the project will be entirely as described in the RFP, a portion of the scope, or a revised scope be implemented.
6. The City reserves the right to select one or more contractors or service providers to perform services.
7. The City reserves the right to retain all proposals submitted and to use any ideas in a proposal regardless of whether that proposal is selected. Submission of a proposal indicates acceptance by the firm of the conditions contained in this RFP, unless clearly and specifically noted in the proposal submitted.
8. The City reserves the right to disqualify proposals that fail to respond to any requirements outlined in the RFP, or failure to enclose copies of the required documents outlined within the RFP.

S. IDLEFREE ORDINANCE

The City of Ann Arbor adopted an idling reduction Ordinance that went into effect July 1, 2017. The full text of the ordinance (including exemptions) can be found at: www.a2gov.org/idlefree.

Under the ordinance, No Operator of a Commercial Vehicle shall cause or permit the Commercial Vehicle to Idle:

- (a) For any period of time while the Commercial Vehicle is unoccupied; or
- (b) For more than 5 minutes in any 60-minute period while the Commercial Vehicle is occupied.

In addition, generators and other internal combustion engines are covered

- (1) Excluding Motor Vehicle engines, no internal combustion engine shall be operated except when it is providing power or electrical energy to equipment or a tool that is actively in use.

T. ENVIRONMENTAL COMMITMENT

The City of Ann Arbor recognizes its responsibility to minimize negative impacts on human health and the environment while supporting a vibrant community and economy. The City further recognizes that the products and services the City buys have inherent environmental and economic impacts and that the City should make procurement decisions that embody, promote, and encourage the City's commitment to the environment.

The City encourages potential vendors to bring forward emerging and progressive products and services that are best suited to the City's environmental principles.

U. MAJOR SUBCONTRACTORS

The Bidder shall identify each major subcontractor it expects to engage for this Contract if the work to be subcontracted is 15% or more of the bid sum or over \$50,000, whichever is less. The Bidder also shall identify the work to be subcontracted to each major subcontractor. The Bidder shall not change or replace a subcontractor without approval by the City.

N. LIQUIDATED DAMAGES

A liquidated damages clause, as given on page C-2, Article III of the Contract, provides that the Contractor shall pay the City as liquidated damages, and not as a penalty, a sum certain per day for each and every day that the Contractor may be in default of completion of the specified work, within the time(s) stated in the Contract, or written extensions.

Liquidated damages clauses, as given in the General Conditions, provide further that the City shall be entitled to impose and recover liquidated damages for breach of the obligations under Chapter 112 of the City Code.

The liquidated damages are for the non-quantifiable aspects of any of the previously identified events and do not cover actual damages that can be shown or quantified

nor are they intended to preclude recovery of actual damages in addition to the recovery of liquidated damages.

SECTION II - SCOPE OF WORK

Please see the plan set herein for more details.

SECTION III - MINIMUM INFORMATION REQUIRED

PROPOSAL FORMAT

The following describes the elements that should be included in each of the proposal sections and the weighted point system that will be used for evaluation of the proposals.

Bidders should organize Proposals into the following Sections:

- A. Qualifications, Experience and Accountability
- B. Workplace Safety
- C. Workforce Development
- D. Social Equity and Sustainability
- E. Schedule of Pricing/Cost
- F. Authorized Negotiator
- G. Attachments

Bidders are strongly encouraged to provide details for all of the information requested below within initial proposals. Backup documentation may be requested at the sole discretion of the City to validate all of the responses provided herein by bidders. False statements by bidders to any of the criteria provided herein will result in the proposal being considered non-responsive and will not be considered for award.

Pursuant to Sec 1:325 of the City Code which sets forth requirements for evaluating public improvement bids, Bidders should submit the following:

A. Qualifications, Experience and Accountability - 20 Points

1. Qualifications and experience of the bidder and of key persons, management, and supervisory personnel to be assigned by the bidder.
2. References from individuals or entities the bidder has worked for within the last five (5) years including information regarding records of performance and job site cooperation.
3. Evidence of any quality control program used by the bidder and the results of any such program on the bidder's previous projects.
4. A statement from the bidder as to any major subcontractors it expects to engage including the name, work, and amount.

B. Workplace Safety – 20 Points

1. Provide a copy of the bidder's safety program, and evidence of a safety-training program for employees addressing potential hazards of the proposed job site. Bidder must identify a designated qualified safety representative responsible for bidder's safety program who serves as a contact for safety related matters.
2. Provide the bidder's Experience Modification Rating ("EMR") for the last three consecutive years. Preference within this criterion will be given to an EMR of 1.0 or less based on a three-year average.
3. Evidence that all craft labor that will be employed by the bidder for the project has, or will have prior to project commencement, completed at least an authorized 10-hour OSHA Construction Safety Course.
4. For the last three years provide a copy of any documented violations and the bidder's corrective actions as a result of inspections conducted by the Michigan Occupational Safety & Health Administration (MIOSHA), U.S. Department of Labor – Occupational Safety and Health Administration (OSHA), or any other applicable safety agency.

C. Workforce Development – 20 Points

1. Documentation as to bidder's pay rates, health insurance, pension or other retirement benefits, paid leave, or other fringe benefits to its employees.
- 2.. Documentation that the bidder participates in a Registered Apprenticeship Program that is registered with the United States Department of Labor Office of Apprenticeship or by a State Apprenticeship Agency recognized by the USDOL Office of Apprenticeship. USDOL apprenticeship agreements shall be disclosed to the City in the solicitation response.
3. Bidders shall disclose the number of non-craft employees who will work on the project on a 1099 basis, and the bidders shall be awarded points based on their relative reliance on 1099 work arrangements with more points assigned to companies with fewer 1099 arrangements. Bidders will acknowledge that the City may ask them to produce payroll records at points during the project to verify compliance with this section.

D. Social Equity and Sustainability – 20 Points

1. A statement from the bidder as to what percentage of its workforce resides in the City of Ann Arbor and in Washtenaw County, Michigan. The City will consider in

evaluating which bids best serve its interests, the extent to which responsible and qualified bidders employ individuals in either the city or the county. Washtenaw County jurisdiction is prioritized for evaluation purposes for this solicitation.

2. Evidence of Equal Employment Opportunity Programs for minorities, women, veterans, returning citizens, and small businesses.
3. Evidence that the bidder is an equal opportunity employer and does not discriminate on the basis of race, sex, pregnancy, age, religion, national origin, marital status, sexual orientation, gender identity or expression, height, weight, or disability.
4. The bidder's proposed use of sustainable products, technologies, or practices for the project, which reduce the impact on human health and the environment, including raw materials acquisition, production, manufacturing, packaging, distribution, reuse, operation, maintenance, and waste management.
5. The bidder's environmental record, including findings of violations and penalties imposed by government agencies.

E. Schedule of Pricing/Cost – 20 Points

Company: _____

<u>Pay Item</u>	<u>Description</u>	<u>Unit</u>	<u>Qty</u>	<u>Unit Price</u>	<u>Total Price</u>
1000.00	General Conditions, Max. \$25,000	LS	1	\$ _____	\$ _____
1001.00	Project Supervision, Max \$10,000	LS	1	\$ _____	\$ _____
1002.00	Project Clean Up and Restoration	LS	1	\$ _____	\$ _____
1003.00	Digital Audio Visual Coverage	LS	1	\$ _____	\$ _____
1030.00	Tree Protection Fence	FT	39	\$ _____	\$ _____
1021.00	Erosion Control, Inlet Protection, Fabric Drop	EA	6	\$ _____	\$ _____
1022.00	Erosion Control, Silt Fence	FT	189	\$ _____	\$ _____
1040.00	Minor Traffic Control, Max \$10,000	LS	1	\$ _____	\$ _____
1041.00	Traffic Regulator Control	LS	1	\$ _____	\$ _____
2000.01	Tree, Rem, 6 in. - 12 in.	EA	8	\$ _____	\$ _____
2000.02	Tree, Rem, 13 in. - 19 in.	EA	1	\$ _____	\$ _____
2000.03	Tree, Rem, 20 in. - 29 in.	EA	3	\$ _____	\$ _____
10030.00	Fence, Rem	FT	153	\$ _____	\$ _____
10031.00	Fence, Salvage and Re-Erect	FT	90	\$ _____	\$ _____
2030.00	Curb, Gutter and Curb and Gutter, Any Type, Rem	FT	20	_____	_____
2040.00	Sidewalk, Sidewalk Ramp, and Driveway Approach, Any Thickness, Rem	SYD	317	\$ _____	\$ _____
10030.70	DS Timber Wall, Rem	SFT	350	\$ _____	\$ _____
3000.00	Machine Grading, Sidewalk, Modified	STA	14	\$ _____	\$ _____
3021.00	Subgrade Undercutting, Type II	CYD	35	\$ _____	\$ _____
3040.00	Earth Excavation	CYD	75	\$ _____	\$ _____

8000.00	Subbase, CIP	CYD	69	\$ _____	\$ _____
8020.00	Aggregate Base Course, 23A, CIP	CYD	6	\$ _____	\$ _____
8130.01	Conc, Sidewalk, 4 In.	SFT	6,433	\$ _____	\$ _____
8131.01	Conc, Sidewalk, Drive Approach, or Ramp, 6 In.	SFT	1,452	\$ _____	\$ _____
8132.01	Conc, Sidewalk, Drive Approach, or Ramp, 6 In, High Early	SFT	1,860	\$ _____	\$ _____
8140.00	Brick Pavers, Sidewalk, Rem and Reinstall	SFT	6	\$ _____	\$ _____
8150.00	Detectable Warning Surface	FT	52	\$ _____	\$ _____
8110.00	Conc, Curb or Curb & Gutter, All Types	FT	20	\$ _____	\$ _____
2050.70	DS Sign, Salv and Re-Erect	EA	2	\$ _____	\$ _____
10000.01	Tree, Medium, B&B	EA	4	\$ _____	\$ _____
10060.00	Turf Restoration	SYD	1,420	\$ _____	\$ _____
TOTAL BID AMOUNT				\$ _____	

F. AUTHORIZED NEGOTIATOR / NEGOTIATIBLE ELEMENTS (ALTERNATES)

Include the name, phone number, and e-mail address of persons(s) in your organization authorized to negotiate the agreement with the City.

The proposal price shall include materials and equipment selected from the designated items and manufacturers listed in the bidding documents. This is done to establish uniformity in bidding and to establish standards of quality for the items named.

If the bidder wishes to quote alternate items for consideration by the City, it may do so under this Section. A complete description of the item and the proposed price differential must be provided. Unless approved at the time of award, substitutions where items are specifically named will be considered only as a negotiated change in Contract Sum.

If the Bidder takes exception to the time stipulated in Article III of the Contract, Time of Completion, page C-2, it is requested to stipulate its proposed time for performance of the work.

Consideration for any proposed alternative items or time may be negotiated at the discretion of the City.

G. ATTACHMENTS

General Declaration, Legal Status of Bidder, Conflict of Interest Form, Living Wage Compliance Form, Prevailing Wage Compliance Form and the Non-Discrimination Form should be completed and returned with the proposal. These elements should be included as attachments to the proposal submission.

PROPOSAL EVALUATION

1. The selection committee will evaluate each proposal by the above-described criteria and point system. The City reserves the right to reject any proposal that it determines to be unresponsive and deficient in any of the information requested for evaluation. A proposal with all the requested information does not guarantee the proposing firm to be a candidate for an interview if interviews are selected to be held by the City. The committee may contact references to verify material submitted by the bidder.
2. The committee then will schedule interviews with the selected firms if necessary. The selected firms will be given the opportunity to discuss in more detail their qualifications, past experience, proposed work plan (if applicable) and pricing.
3. The interview should include the project team members expected to work on the project, but no more than six members total. The interview shall consist of a

presentation of up to thirty minutes (or the length provided by the committee) by the bidder, including the person who will be the project manager on this contract, followed by approximately thirty minutes of questions and answers. Audiovisual aids may be used during the oral interviews. The committee may record the oral interviews.

4. The firms interviewed will then be re-evaluated by the above criteria and adjustments to scoring will be made as appropriate. After evaluation of the proposals, further negotiation with the selected firm may be pursued leading to the award of a contract by City Council, if suitable proposals are received.

The City reserves the right to waive the interview process and evaluate the bidder based on their proposal and pricing schedules alone.

The City will determine whether the final scope of the project to be negotiated will be entirely as described in this RFP, a portion of the scope, or a revised scope.

Work to be done under this contract is generally described through the detailed specifications and must be completed fully in accordance with the contract documents.

Any proposal that does not conform fully to these instructions may be rejected.

PREPARATION OF PROPOSALS

Proposals should have no plastic bindings but will not be rejected as non-responsive for being bound. Staples or binder clips are acceptable. Proposals should be printed double sided on recycled paper.

Each person signing the proposal certifies that they are a person in the bidder's firm/organization responsible for the decisions regarding the fees being offered in the Proposal and has not and will not participate in any action contrary to the terms of this provision.

ADDENDA

If it becomes necessary to revise any part of the RFP, notice of the addendum will be posted to Michigan Inter-governmental Trade Network (MITN) www.mitn.info and/or the City of Ann Arbor web site www.A2gov.org for all parties to download.

Each bidder should acknowledge in its proposal all addenda it has received on the General Declarations form provided in the Attachments section herein. The failure of a bidder to receive or acknowledge receipt of any addenda shall not relieve the bidder of the responsibility for complying with the terms thereof. The City will not be bound by oral responses to inquiries or written responses other than official written addenda.

SECTION IV - ATTACHMENTS

Attachment A – Sample Standard Contract

Attachment B – General Declarations

Attachment C - Legal Status of Bidder

Attachment D – Prevailing Wage Declaration of Compliance Form

Attachment E – Living Wage Declaration of Compliance Form

Attachment F – Living Wage Ordinance Poster

Attachment G – Vendor Conflict of Interest Disclosure Form

Attachment H – Non-Discrimination Ordinance Declaration of Compliance Form

Attachment I – Non-Discrimination Ordinance Poster

Sample Certified Payroll Report Template

ATTACHMENT A SAMPLE STANDARD CONTRACT

If a contract is awarded, the selected contractor will be required to adhere to a set of general contract provisions which will become a part of any formal agreement. These provisions are general principles which apply to all contractors of service to the City of Ann Arbor such as the following:

Administrative Use Only
Contract Date: _____

CONTRACT

THIS CONTRACT is between the CITY OF ANN ARBOR, a Michigan Municipal Corporation, 301 East Huron Street, Ann Arbor, Michigan 48104 ("City") and _____ ("Contractor")

(An individual/partnership/corporation, include state of incorporation) (Address)

Based upon the mutual promises below, the Contractor and the City agree as follows:

ARTICLE I - Scope of Work

The Contractor agrees to furnish all of the materials, equipment and labor necessary; and to abide by all the duties and responsibilities applicable to it for the project titled **[Insert Title of Bid and Bid Number]** in accordance with the requirements and provisions of the following documents, including all written modifications incorporated into any of the documents, all of which are incorporated as part of this Contract:

Non-discrimination and Living Wage
Declaration of Compliance Forms (if
applicable)
Vendor Conflict of Interest Form
Prevailing Wage Declaration of
Compliance Form (if applicable)
Bid Forms
Contract and Exhibits
Bonds

General Conditions
Standard Specifications
Detailed Specifications
Plans
Addenda

ARTICLE II - Definitions

Administering Service Area/Unit means **[Insert Name of Administering Service Unit]**

Project means **[Insert Title of Bid and Bid Number]**

Supervising Professional means the person acting under the authorization of the manager of the Administering Service Area/Unit. At the time this Contract is executed,

the Supervising Professional is: **[Insert the person's name]** whose job title is **[Insert job title]**. If there is any question concerning who the Supervising Professional is, Contractor shall confirm with the manager of the Administering Service Area/Unit.

Contractor's Representative means _____ **[Insert name]** whose job title is **[Insert job title]**.

ARTICLE III - Time of Completion

- (A) The work to be completed under this Contract shall begin immediately on the date specified in the Notice to Proceed issued by the City.
- (B) The entire work for this Contract shall be completed within one hundred and five (105) calendar days, see Detail Specification Progress Clause for more information on the two project areas.
- (C) Failure to complete all the work within the time specified above, including any extension granted in writing by the Supervising Professional, shall obligate the Contractor to pay the City, as liquidated damages and not as a penalty, an amount equal to \$500 for each calendar day of delay in the completion of all the work. If any liquidated damages are unpaid by the Contractor, the City shall be entitled to deduct these unpaid liquidated damages from the monies due the Contractor.

The liquidated damages are for the non-quantifiable aspects of any of the previously identified events and do not cover actual damages that can be shown or quantified nor are they intended to preclude recovery of actual damages in addition to the recovery of liquidated damages.

ARTICLE IV - The Contract Sum

- (A) The City shall pay to the Contractor for the performance of the Contract, the unit prices as given in the Bid Form for the estimated bid total of:

_____ Dollars (\$_____)

- (B) The amount paid shall be equitably adjusted to cover changes in the work ordered by the Supervising Professional but not required by the Contract Documents. Increases or decreases shall be determined only by written agreement between the City and Contractor.

ARTICLE V - Assignment

This Contract may not be assigned or subcontracted any portion of any right or obligation under this contract without the written consent of the City. Notwithstanding any consent by the City to any assignment, Contractor shall at all times remain bound to all warranties, certifications, indemnifications, promises and performances, however described, as are required of it under this contract unless specifically released from the requirement, in writing, by the City.

ARTICLE VI - Choice of Law

This Contract shall be construed, governed, and enforced in accordance with the laws of the State of Michigan. By executing this Contract, the Contractor and the City agree to venue in a court of appropriate jurisdiction sitting within Washtenaw County for purposes of any action arising under this Contract. The parties stipulate that the venue referenced in this Contract is for convenience and waive any claim of non-convenience.

Whenever possible, each provision of the Contract will be interpreted in a manner as to be effective and valid under applicable law. The prohibition or invalidity, under applicable law, of any provision will not invalidate the remainder of the Contract.

ARTICLE VII - Relationship of the Parties

The parties of the Contract agree that it is not a Contract of employment but is a Contract to accomplish a specific result. Contractor is an independent Contractor performing services for the City. Nothing contained in this Contract shall be deemed to constitute any other relationship between the City and the Contractor.

Contractor certifies that it has no personal or financial interest in the project other than the compensation it is to receive under the Contract. Contractor certifies that it is not, and shall not become, overdue or in default to the City for any Contract, debt, or any other obligation to the City including real or personal property taxes. City shall have the right to set off any such debt against compensation awarded for services under this Contract.

ARTICLE VIII - Notice

All notices given under this Contract shall be in writing, and shall be by personal delivery or by certified mail with return receipt requested to the parties at their respective addresses as specified in the Contract Documents or other address the Contractor may specify in writing. Notice will be deemed given on the date when one of the following first occur: (1) the date of actual receipt; or (2) three days after mailing certified U.S. mail.

ARTICLE IX - Indemnification

To the fullest extent permitted by law, Contractor shall indemnify, defend and hold the City, its officers, employees and agents harmless from all suits, claims, judgments and expenses including attorney's fees resulting or alleged to result, in whole or in part, from any act or omission, which is in any way connected or associated with this Contract, by the Contractor or anyone acting on the Contractor's behalf under this Contract. Contractor shall not be responsible to indemnify the City for losses or damages caused by or resulting from the City's sole negligence. The provisions of this Article shall survive the expiration or earlier termination of this contract for any reason.

ARTICLE X - Entire Agreement

This Contract represents the entire understanding between the City and the Contractor and it supersedes all prior representations, negotiations, agreements, or understandings whether written or oral. Neither party has relied on any prior representations in entering into this Contract. No terms or conditions of either party's invoice, purchase order or other administrative document shall modify the terms and conditions of this Contract, regardless of the other party's failure to

object to such form. This Contract shall be binding on and shall inure to the benefit of the parties to this Contract and their permitted successors and permitted assigns and nothing in this Contract, express or implied, is intended to or shall confer on any other person or entity any legal or equitable right, benefit, or remedy of any nature whatsoever under or by reason of this Contract. This Contract may be altered, amended or modified only by written amendment signed by the City and the Contractor.

ARTICLE XI – Electronic Transactions

The City and Contractor agree that signatures on this Contract may be delivered electronically in lieu of an original signature and agree to treat electronic signatures as original signatures that bind them to this Contract. This Contract may be executed and delivered by facsimile and upon such delivery, the facsimile signature will be deemed to have the same effect as if the original signature had been delivered to the other party.

FOR CONTRACTOR

By _____

Its: _____

FOR THE CITY OF ANN ARBOR

By _____
Christopher Taylor, Mayor

By _____
Jacqueline Beaudry, City Clerk

Approved as to substance

By _____
City Administrator

By _____
Services Area Administrator

Approved as to form and content

Atleen Kaur, City Attorney

PERFORMANCE BOND

- (1) _____ of _____ (referred to as "Principal"), and _____, a corporation duly authorized to do business in the State of Michigan (referred to as "Surety"), are bound to the City of Ann Arbor, Michigan (referred to as "City"), for \$ _____, the payment of which Principal and Surety bind themselves, their heirs, executors, administrators, successors and assigns, jointly and severally, by this bond.
- (2) The Principal has entered a written Contract with the City entitled _____, for RFP No. _____ and this bond is given for that Contract in compliance with Act No. 213 of the Michigan Public Acts of 1963, as amended, being MCL 129.201 *et seq.*
- (3) Whenever the Principal is declared by the City to be in default under the Contract, the Surety may promptly remedy the default or shall promptly:
- (a) complete the Contract in accordance with its terms and conditions; or
 - (b) obtain a bid or bids for submission to the City for completing the Contract in accordance with its terms and conditions, and upon determination by Surety of the lowest responsible bidder, arrange for a Contract between such bidder and the City, and make available, as work progresses, sufficient funds to pay the cost of completion less the balance of the Contract price; but not exceeding, including other costs and damages for which Surety may be liable hereunder, the amount set forth in paragraph 1.
- (4) Surety shall have no obligation to the City if the Principal fully and promptly performs under the Contract.
- (5) Surety agrees that no change, extension of time, alteration or addition to the terms of the Contract or to the work to be performed thereunder, or the specifications accompanying it shall in any way affect its obligations on this bond, and waives notice of any such change, extension of time, alteration or addition to the terms of the Contract or to the work, or to the specifications.
- (6) Principal, Surety, and the City agree that signatures on this bond may be delivered electronically in lieu of an original signature and agree to treat electronic signatures as original signatures that bind them to this bond. This bond may be executed and delivered by facsimile and upon such delivery, the facsimile signature will be deemed to have the same effect as if the original signature had been delivered to the other party.

SIGNED AND SEALED this _____ day of _____, 202_.

(Name of Surety Company)
By _____
(Signature)

Its _____
(Title of Office)

Approved as to form:

Atleen Kaur, City Attorney

(Name of Principal)
By _____
(Signature)

Its _____
(Title of Office)

Name and address of agent:

LABOR AND MATERIAL BOND

- (1) _____
of _____ (referred to as "Principal"), and _____, a corporation duly authorized to do business in the State of Michigan, (referred to as "Surety"), are bound to the City of Ann Arbor, Michigan (referred to as "City"), for the use and benefit of claimants as defined in Act 213 of Michigan Public Acts of 1963, as amended, being MCL 129.201 et seq., in the amount of \$ _____, for the payment of which Principal and Surety bind themselves, their heirs, executors, administrators, successors and assigns, jointly and severally, by this bond.
- (2) The Principal has entered a written Contract with the City entitled _____

_____, for RFP No. _____; and this bond is given for that Contract in compliance with Act No. 213 of the Michigan Public Acts of 1963 as amended;
- (3) If the Principal fails to promptly and fully repay claimants for labor and material reasonably required under the Contract, the Surety shall pay those claimants.
- (4) Surety's obligations shall not exceed the amount stated in paragraph 1, and Surety shall have no obligation if the Principal promptly and fully pays the claimants.
- (5) Principal, Surety, and the City agree that signatures on this bond may be delivered electronically in lieu of an original signature and agree to treat electronic signatures as original signatures that bind them to this bond. This bond may be executed and delivered by facsimile and upon such delivery, the facsimile signature will be deemed to have the same effect as if the original signature had been delivered to the other party.

SIGNED AND SEALED this _____ day of _____, 202__

(Name of Surety Company)
By _____
(Signature)
Its _____
(Title of Office)

(Name of Principal)
By _____
(Signature)
Its _____
(Title of Office)

Approved as to form:

Atleen Kaur, City Attorney

Name and address of agent:

GENERAL CONDITIONS

Section 1 - Execution, Correlation and Intent of Documents

The contract documents shall be signed in 2 copies by the City and the Contractor.

The contract documents are complementary and what is called for by any one shall be binding. The intention of the documents is to include all labor and materials, equipment and transportation necessary for the proper execution of the work. Materials or work described in words which so applied have a well-known technical or trade meaning have the meaning of those recognized standards.

In case of a conflict among the contract documents listed below in any requirement(s), the requirement(s) of the document listed first shall prevail over any conflicting requirement(s) of a document listed later.

(1) Addenda in reverse chronological order; (2) Detailed Specifications; (3) Standard Specifications; (4) Plans; (5) General Conditions; (6) Contract; (7) Bid Forms; (8) Bond Forms; (9) Bid.

Section 2 - Order of Completion

The Contractor shall submit with each invoice, and at other times reasonably requested by the Supervising Professional, schedules showing the order in which the Contractor proposes to carry on the work. They shall include the dates at which the Contractor will start the several parts of the work, the estimated dates of completion of the several parts, and important milestones within the several parts.

Section 3 - Familiarity with Work

The Bidder or its representative shall make personal investigations of the site of the work and of existing structures and shall determine to its own satisfaction the conditions to be encountered, the nature of the ground, the difficulties involved, and all other factors affecting the work proposed under this Contract. The Bidder to whom this Contract is awarded will not be entitled to any additional compensation unless conditions are clearly different from those which could reasonably have been anticipated by a person making diligent and thorough investigation of the site.

The Bidder shall immediately notify the City upon discovery, and in every case prior to submitting its Bid, of every error or omission in the bidding documents that would be identified by a reasonably competent, diligent Bidder. In no case will a Bidder be allowed the benefit of extra compensation or time to complete the work under this Contract for extra expenses or time spent as a result of the error or omission.

Section 4 - Wage Requirements

Under this Contract, the Contractor shall conform to Chapter 14 of Title I of the Code of the City of Ann Arbor as amended; which in part states "...that all craftsmen, mechanics and laborers employed directly on the site in connection with said improvements, including said employees of

subcontractors, shall receive the prevailing wage for the corresponding classes of craftsmen, mechanics and laborers, as determined by statistics for the Ann Arbor area compiled by the United States Department of Labor. At the request of the City, any contractor or subcontractor shall provide satisfactory proof of compliance with the contract provisions required by the Section.

Pursuant to Resolution R-16-469 all public improvement contractors are subject to prevailing wage and will be required to provide to the City payroll records sufficient to demonstrate compliance with the prevailing wage requirements. A sample Prevailing Wage Form is provided in the Appendix herein for reference as to what will be expected from contractors. Use of the Prevailing Wage Form provided in the Appendix section or a City-approved equivalent will be required along with wage rate interviews.

Where the Contract and the Ann Arbor City Ordinance are silent as to definitions of terms required in determining contract compliance with regard to prevailing wages, the definitions provided in the Davis-Bacon Act as amended (40 U.S.C. 278-a to 276-a-7) for the terms shall be used.

If the Contractor is a "covered employer" as defined in Chapter 23 of the Ann Arbor City Code, the Contractor agrees to comply with the living wage provisions of Chapter 23 of the Ann Arbor City Code. The Contractor agrees to pay those employees providing Services to the City under this Contract a "living wage," as defined in Section 1:815 of the Ann Arbor City Code, as adjusted in accordance with Section 1:815(3); to post a notice approved by the City of the applicability of Chapter 23 in every location in which regular or contract employees providing services under this Contract are working; to maintain records of compliance; if requested by the City, to provide documentation to verify compliance; to take no action that would reduce the compensation, wages, fringe benefits, or leave available to any employee or person contracted for employment in order to pay the living wage required by Section 1:815; and otherwise to comply with the requirements of Chapter 23.

Contractor agrees that all subcontracts entered into by the Contractor shall contain similar wage provision covering subcontractor's employees who perform work on this contract.

Section 5 - Non-Discrimination

The Contractor agrees to comply, and to require its subcontractor(s) to comply, with the nondiscrimination provisions of MCL 37.2209. The Contractor further agrees to comply with the provisions of Section 9:158 of Chapter 112 of Title IX of the Ann Arbor City Code, and to assure that applicants are employed and that employees are treated during employment in a manner which provides equal employment opportunity.

Section 6 - Materials, Appliances, Employees

Unless otherwise stipulated, the Contractor shall provide and pay for all materials, labor, water, tools, equipment, light, power, transportation, and other facilities necessary or used for the execution and completion of the work. Unless otherwise specified, all materials incorporated in the permanent work shall be new, and both workmanship and materials shall be of the highest quality. The Contractor shall, if required, furnish satisfactory evidence as to the kind and quality of materials.

The Contractor shall at all times enforce strict discipline and good order among its employees, and shall seek to avoid employing on the work any unfit person or anyone not skilled in the work assigned.

Adequate sanitary facilities shall be provided by the Contractor.

Section 7 - Qualifications for Employment

The Contractor shall employ competent laborers and mechanics for the work under this Contract. For work performed under this Contract, employment preference shall be given to qualified local residents.

Section 8 - Royalties and Patents

The Contractor shall pay all royalties and license fees. It shall defend all suits or claims for infringements of any patent rights and shall hold the City harmless from loss on account of infringement except that the City shall be responsible for all infringement loss when a particular process or the product of a particular manufacturer or manufacturers is specified, unless the City has notified the Contractor prior to the signing of the Contract that the particular process or product is patented or is believed to be patented.

Section 9 - Permits and Regulations

The Contractor must secure and pay for all permits, permit or plan review fees and licenses necessary for the prosecution of the work. These include but are not limited to City building permits, right-of-way permits, lane closure permits, right-of-way occupancy permits, and the like. The City shall secure and pay for easements shown on the plans unless otherwise specified.

The Contractor shall give all notices and comply with all laws, ordinances, rules and regulations bearing on the conduct of the work as drawn and specified. If the Contractor observes that the contract documents are at variance with those requirements, it shall promptly notify the Supervising Professional in writing, and any necessary changes shall be adjusted as provided in the Contract for changes in the work.

Section 10 - Protection of the Public and of Work and Property

The Contractor is responsible for the means, methods, sequences, techniques and procedures of construction and safety programs associated with the work contemplated by this contract. The Contractor, its agents or sub-contractors, shall comply with the "General Rules and Regulations for the Construction Industry" as published by the Construction Safety Commission of the State of Michigan and to all other local, State and National laws, ordinances, rules and regulations pertaining to safety of persons and property.

The Contractor shall take all necessary and reasonable precautions to protect the safety of the public. It shall continuously maintain adequate protection of all work from damage, and shall take all necessary and reasonable precautions to adequately protect all public and private property from injury or loss arising in connection with this Contract. It shall make good any damage, injury or loss to its work and to public and private property resulting from lack of reasonable protective precautions, except as may be due to errors in the contract documents, or caused by agents or

employees of the City. The Contractor shall obtain and maintain sufficient insurance to cover damage to any City property at the site by any cause.

In an emergency affecting the safety of life, or the work, or of adjoining property, the Contractor is, without special instructions or authorization from the Supervising Professional, permitted to act at its discretion to prevent the threatened loss or injury. It shall also so act, without appeal, if authorized or instructed by the Supervising Professional.

Any compensation claimed by the Contractor for emergency work shall be determined by agreement or in accordance with the terms of Claims for Extra Cost - Section 15.

Section 11 - Inspection of Work

The City shall provide sufficient competent personnel for the inspection of the work.

The Supervising Professional shall at all times have access to the work whenever it is in preparation or progress, and the Contractor shall provide proper facilities for access and for inspection.

If the specifications, the Supervising Professional's instructions, laws, ordinances, or any public authority require any work to be specially tested or approved, the Contractor shall give the Supervising Professional timely notice of its readiness for inspection, and if the inspection is by an authority other than the Supervising Professional, of the date fixed for the inspection. Inspections by the Supervising Professional shall be made promptly, and where practicable at the source of supply. If any work should be covered up without approval or consent of the Supervising Professional, it must, if required by the Supervising Professional, be uncovered for examination and properly restored at the Contractor's expense.

Re-examination of any work may be ordered by the Supervising Professional, and, if so ordered, the work must be uncovered by the Contractor. If the work is found to be in accordance with the contract documents, the City shall pay the cost of re-examination and replacement. If the work is not in accordance with the contract documents, the Contractor shall pay the cost.

Section 12 - Superintendence

The Contractor shall keep on the work site, during its progress, a competent superintendent and any necessary assistants, all satisfactory to the Supervising Professional. The superintendent will be responsible to perform all on-site project management for the Contractor. The superintendent shall be experienced in the work required for this Contract. The superintendent shall represent the Contractor and all direction given to the superintendent shall be binding as if given to the Contractor. Important directions shall immediately be confirmed in writing to the Contractor. Other directions will be confirmed on written request. The Contractor shall give efficient superintendence to the work, using its best skill and attention.

Section 13 - Changes in the Work

The City may make changes to the quantities of work within the general scope of the Contract at any time by a written order and without notice to the sureties. If the changes add to or deduct from the extent of the work, the Contract Sum shall be adjusted accordingly. All the changes shall be

executed under the conditions of the original Contract except that any claim for extension of time caused by the change shall be adjusted at the time of ordering the change.

In giving instructions, the Supervising Professional shall have authority to make minor changes in the work not involving extra cost and not inconsistent with the purposes of the work, but otherwise, except in an emergency endangering life or property, no extra work or change shall be made unless in pursuance of a written order by the Supervising Professional, and no claim for an addition to the Contract Sum shall be valid unless the additional work was ordered in writing.

The Contractor shall proceed with the work as changed and the value of the work shall be determined as provided in Claims for Extra Cost - Section 15.

Section 14 - Extension of Time

Extension of time stipulated in the Contract for completion of the work will be made if and as the Supervising Professional may deem proper under any of the following circumstances:

- (1) When work under an extra work order is added to the work under this Contract;
- (2) When the work is suspended as provided in Section 20;
- (3) When the work of the Contractor is delayed on account of conditions which could not have been foreseen, or which were beyond the control of the Contractor, and which were not the result of its fault or negligence;
- (4) Delays in the progress of the work caused by any act or neglect of the City or of its employees or by other Contractors employed by the City;
- (5) Delay due to an act of Government;
- (6) Delay by the Supervising Professional in the furnishing of plans and necessary information;
- (7) Other cause which in the opinion of the Supervising Professional entitles the Contractor to an extension of time.

The Contractor shall notify the Supervising Professional within 7 days of an occurrence or conditions which, in the Contractor's opinion, entitle it to an extension of time. The notice shall be in writing and submitted in ample time to permit full investigation and evaluation of the Contractor's claim. The Supervising Professional shall acknowledge receipt of the Contractor's notice within 7 days of its receipt. Failure to timely provide the written notice shall constitute a waiver by the Contractor of any claim.

In situations where an extension of time in contract completion is appropriate under this or any other section of the contract, the Contractor understands and agrees that the only available adjustment for events that cause any delays in contract completion shall be extension of the required time for contract completion and that there shall be no adjustments in the money due the Contractor on account of the delay.

Section 15 - Claims for Extra Cost

If the Contractor claims that any instructions by drawings or other media issued after the date of the Contract involved extra cost under this Contract, it shall give the Supervising Professional written notice within 7 days after the receipt of the instructions, and in any event before proceeding to execute the work, except in emergency endangering life or property. The procedure shall then be as provided for Changes in the Work-Section I3. No claim shall be valid unless so made.

If the Supervising Professional orders, in writing, the performance of any work not covered by the contract documents, and for which no item of work is provided in the Contract, and for which no unit price or lump sum basis can be agreed upon, then the extra work shall be done on a Cost-Plus-Percentage basis of payment as follows:

- (1) The Contractor shall be reimbursed for all reasonable costs incurred in doing the work, and shall receive an additional payment of 15% of all the reasonable costs to cover both its indirect overhead costs and profit;
- (2) The term "Cost" shall cover all payroll charges for employees and supervision required under the specific order, together with all worker's compensation, Social Security, pension and retirement allowances and social insurance, or other regular payroll charges on same; the cost of all material and supplies required of either temporary or permanent character; rental of all power-driven equipment at agreed upon rates, together with cost of fuel and supply charges for the equipment; and any costs incurred by the Contractor as a direct result of executing the order, if approved by the Supervising Professional;
- (3) If the extra is performed under subcontract, the subcontractor shall be allowed to compute its charges as described above. The Contractor shall be permitted to add an additional charge of 5% percent to that of the subcontractor for the Contractor's supervision and contractual responsibility;
- (4) The quantities and items of work done each day shall be submitted to the Supervising Professional in a satisfactory form on the succeeding day, and shall be approved by the Supervising Professional and the Contractor or adjusted at once;
- (5) Payments of all charges for work under this Section in any one month shall be made along with normal progress payments. Retainage shall be in accordance with Progress Payments-Section 16.

No additional compensation will be provided for additional equipment, materials, personnel, overtime or special charges required to perform the work within the time requirements of the Contract.

When extra work is required and no suitable price for machinery and equipment can be determined in accordance with this Section, the hourly rate paid shall be 1/40 of the basic weekly rate listed in the Rental Rate Blue Book published by Dataquest Incorporated and applicable to the time period the equipment was first used for the extra work. The hourly rate will be deemed to include all costs of operation such as bucket or blade, fuel, maintenance, "regional factors", insurance, taxes, and the like, but not the costs of the operator.

Section 16 - Progress Payments

The Contractor shall submit each month, or at longer intervals, if it so desires, an invoice covering work performed for which it believes payment, under the Contract terms, is due. The submission shall be to the City's Finance Department - Accounting Division. The Supervising Professional will, within 10 days following submission of the invoice, prepare a certificate for payment for the work in an amount to be determined by the Supervising Professional as fairly representing the acceptable work performed during the period covered by the Contractor's invoice. To insure the proper performance of this Contract, the City will retain a percentage of the estimate in accordance with Act 524, Public Acts of 1980. The City will then, following the receipt of the Supervising Professional's Certificate, make payment to the Contractor as soon as feasible, which is anticipated will be within 15 days.

An allowance may be made in progress payments if substantial quantities of permanent material have been delivered to the site but not incorporated in the completed work if the Contractor, in the opinion of the Supervising Professional, is diligently pursuing the work under this Contract. Such materials shall be properly stored and adequately protected. Allowance in the estimate shall be at the invoice price value of the items. Notwithstanding any payment of any allowance, all risk of loss due to vandalism or any damages to the stored materials remains with the Contractor.

In the case of Contracts which include only the Furnishing and Delivering of Equipment, the payments shall be; 60% of the Contract Sum upon the delivery of all equipment to be furnished, or in the case of delivery of a usable portion of the equipment in advance of the total equipment delivery, 60% of the estimated value of the portion of the equipment may be paid upon its delivery in advance of the time of the remainder of the equipment to be furnished; 30% of the Contract Sum upon completion of erection of all equipment furnished, but not later than 60 days after the date of delivery of all of the equipment to be furnished; and payment of the final 10% on final completion of erection, testing and acceptance of all the equipment to be furnished; but not later than 180 days after the date of delivery of all of the equipment to be furnished, unless testing has been completed and shows the equipment to be unacceptable.

With each invoice for periodic payment, the Contractor shall enclose a Contractor's Declaration - Section 43, and an updated project schedule per Order of Completion - Section 2.

Section 17 - Deductions for Uncorrected Work

If the Supervising Professional decides it is inexpedient to correct work that has been damaged or that was not done in accordance with the Contract, an equitable deduction from the Contract price shall be made.

Section 18 - Correction of Work Before Final Payment

The Contractor shall promptly remove from the premises all materials condemned by the Supervising Professional as failing to meet Contract requirements, whether incorporated in the work or not, and the Contractor shall promptly replace and re-execute the work in accordance with the Contract and without expense to the City and shall bear the expense of making good all work of other contractors destroyed or damaged by the removal or replacement.

If the Contractor does not remove the condemned work and materials within 10 days after written notice, the City may remove them and, if the removed material has value, may store the material

at the expense of the Contractor. If the Contractor does not pay the expense of the removal within 10 days thereafter, the City may, upon 10 days written notice, sell the removed materials at auction or private sale and shall pay to the Contractor the net proceeds, after deducting all costs and expenses that should have been borne by the Contractor. If the removed material has no value, the Contractor must pay the City the expenses for disposal within 10 days of invoice for the disposal costs.

The inspection or lack of inspection of any material or work pertaining to this Contract shall not relieve the Contractor of its obligation to fulfill this Contract and defective work shall be made good. Unsuitable materials may be rejected by the Supervising Professional notwithstanding that the work and materials have been previously overlooked by the Supervising Professional and accepted or estimated for payment or paid for. If the work or any part shall be found defective at any time before the final acceptance of the whole work, the Contractor shall forthwith make good the defect in a manner satisfactory to the Supervising Professional. The judgment and the decision of the Supervising Professional as to whether the materials supplied and the work done under this Contract comply with the requirements of the Contract shall be conclusive and final.

Section 19 - Acceptance and Final Payment

Upon receipt of written notice that the work is ready for final inspection and acceptance, the Supervising Professional will promptly make the inspection. When the Supervising Professional finds the work acceptable under the Contract and the Contract fully performed, the Supervising Professional will promptly sign and issue a final certificate stating that the work required by this Contract has been completed and is accepted by the City under the terms and conditions of the Contract. The entire balance found to be due the Contractor, including the retained percentage, shall be paid to the Contractor by the City within 30 days after the date of the final certificate.

Before issuance of final certificates, the Contractor shall file with the City:

- (1) The consent of the surety to payment of the final estimate;
- (2) The Contractor's Affidavit in the form required by Section 44.

In case the Affidavit or consent is not furnished, the City may retain out of any amount due the Contractor, sums sufficient to cover all lienable claims.

The making and acceptance of the final payment shall constitute a waiver of all claims by the City except those arising from:

- (1) unsettled liens;
- (2) faulty work appearing within 12 months after final payment;
- (3) hidden defects in meeting the requirements of the plans and specifications;
- (4) manufacturer's guarantees.

It shall also constitute a waiver of all claims by the Contractor, except those previously made and still unsettled.

Section 20 - Suspension of Work

The City may at any time suspend the work, or any part by giving 5 days notice to the Contractor in writing. The work shall be resumed by the Contractor within 10 days after the date fixed in the

written notice from the City to the Contractor to do so. The City shall reimburse the Contractor for expense incurred by the Contractor in connection with the work under this Contract as a result of the suspension.

If the work, or any part, shall be stopped by the notice in writing, and if the City does not give notice in writing to the Contractor to resume work at a date within 90 days of the date fixed in the written notice to suspend, then the Contractor may abandon that portion of the work suspended and will be entitled to the estimates and payments for all work done on the portions abandoned, if any, plus 10% of the value of the work abandoned, to compensate for loss of overhead, plant expense, and anticipated profit.

Section 21 - Delays and the City's Right to Terminate Contract

If the Contractor refuses or fails to prosecute the work, or any separate part of it, with the diligence required to insure completion, ready for operation, within the allowable number of consecutive calendar days specified plus extensions, or fails to complete the work within the required time, the City may, by written notice to the Contractor, terminate its right to proceed with the work or any part of the work as to which there has been delay. After providing the notice the City may take over the work and prosecute it to completion, by contract or otherwise, and the Contractor and its sureties shall be liable to the City for any excess cost to the City. If the Contractor's right to proceed is terminated, the City may take possession of and utilize in completing the work, any materials, appliances and plant as may be on the site of the work and useful for completing the work. The right of the Contractor to proceed shall not be terminated or the Contractor charged with liquidated damages where an extension of time is granted under Extension of Time - Section 14.

If the Contractor is adjudged a bankrupt, or if it makes a general assignment for the benefit of creditors, or if a receiver is appointed on account of its insolvency, or if it persistently or repeatedly refuses or fails except in cases for which extension of time is provided, to supply enough properly skilled workers or proper materials, or if it fails to make prompt payments to subcontractors or for material or labor, or persistently disregards laws, ordinances or the instructions of the Supervising Professional, or otherwise is guilty of a substantial violation of any provision of the Contract, then the City, upon the certificate of the Supervising Professional that sufficient cause exists to justify such action, may, without prejudice to any other right or remedy and after giving the Contractor 3 days written notice, terminate this Contract. The City may then take possession of the premises and of all materials, tools and appliances thereon and without prejudice to any other remedy it may have, make good the deficiencies or finish the work by whatever method it may deem expedient, and deduct the cost from the payment due the Contractor. The Contractor shall not be entitled to receive any further payment until the work is finished. If the expense of finishing the work, including compensation for additional managerial and administrative services exceeds the unpaid balance of the Contract Sum, the Contractor and its surety are liable to the City for any excess cost incurred. The expense incurred by the City, and the damage incurred through the Contractor's default, shall be certified by the Supervising Professional.

Section 22 - Contractor's Right to Terminate Contract

If the work should be stopped under an order of any court, or other public authority, for a period of 3 months, through no act or fault of the Contractor or of anyone employed by it, then the Contractor may, upon 7 days written notice to the City, terminate this Contract and recover from the City payment for all acceptable work executed plus reasonable profit.

Section 23 - City's Right To Do Work

If the Contractor should neglect to prosecute the work properly or fail to perform any provision of this Contract, the City, 3 days after giving written notice to the Contractor and its surety may, without prejudice to any other remedy the City may have, make good the deficiencies and may deduct the cost from the payment due to the Contractor.

Section 24 - Removal of Equipment and Supplies

In case of termination of this Contract before completion, from any or no cause, the Contractor, if notified to do so by the City, shall promptly remove any part or all of its equipment and supplies from the property of the City, failing which the City shall have the right to remove the equipment and supplies at the expense of the Contractor.

The removed equipment and supplies may be stored by the City and, if all costs of removal and storage are not paid by the Contractor within 10 days of invoicing, the City upon 10 days written notice may sell the equipment and supplies at auction or private sale, and shall pay the Contractor the net proceeds after deducting all costs and expenses that should have been borne by the Contractor and after deducting all amounts claimed due by any lien holder of the equipment or supplies.

Section 25 - Responsibility for Work and Warranties

The Contractor assumes full responsibility for any and all materials and equipment used in the construction of the work and may not make claims against the City for damages to materials and equipment from any cause except negligence or willful act of the City. Until its final acceptance, the Contractor shall be responsible for damage to or destruction of the project (except for any part covered by Partial Completion and Acceptance - Section 26). The Contractor shall make good all work damaged or destroyed before acceptance. All risk of loss remains with the Contractor until final acceptance of the work (Section 19) or partial acceptance (Section 26). The Contractor is advised to investigate obtaining its own builders risk insurance.

The Contractor shall guarantee the quality of the work for a period of one year. The Contractor shall also unconditionally guarantee the quality of all equipment and materials that are furnished and installed under the contract for a period of one year. At the end of one year after the Contractor's receipt of final payment, the complete work, including equipment and materials furnished and installed under the contract, shall be inspected by the Contractor and the Supervising Professional. Any defects shall be corrected by the Contractor at its expense as soon as practicable but in all cases within 60 days. Any defects that are identified prior to the end of one year shall also be inspected by the Contractor and the Supervising Professional and shall be corrected by the Contractor at its expense as soon as practicable but in all cases within 60 days. The Contractor shall assign all manufacturer or material supplier warranties to the City prior to final payment. The assignment shall not relieve the Contractor of its obligations under this paragraph to correct defects.

Section 26 - Partial Completion and Acceptance

If at any time prior to the issuance of the final certificate referred to in Acceptance and Final Payment - Section 19, any portion of the permanent construction has been satisfactorily completed, and if the Supervising Professional determines that portion of the permanent construction is not required for the operations of the Contractor but is needed by the City, the Supervising Professional shall issue to the Contractor a certificate of partial completion, and immediately the City may take over and use the portion of the permanent construction described in the certificate, and exclude the Contractor from that portion.

The issuance of a certificate of partial completion shall not constitute an extension of the Contractor's time to complete the portion of the permanent construction to which it relates if the Contractor has failed to complete it in accordance with the terms of this Contract. The issuance of the certificate shall not release the Contractor or its sureties from any obligations under this Contract including bonds.

If prior use increases the cost of, or delays the work, the Contractor shall be entitled to extra compensation, or extension of time, or both, as the Supervising Professional may determine.

Section 27 - Payments Withheld Prior to Final Acceptance of Work

The City may withhold or, on account of subsequently discovered evidence, nullify the whole or part of any certificate to the extent reasonably appropriate to protect the City from loss on account of:

- (1) Defective work not remedied;
- (2) Claims filed or reasonable evidence indicating probable filing of claims by other parties against the Contractor;
- (3) Failure of the Contractor to make payments properly to subcontractors or for material or labor;
- (4) Damage to another Contractor.

When the above grounds are removed or the Contractor provides a Surety Bond satisfactory to the City which will protect the City in the amount withheld, payment shall be made for amounts withheld under this section.

Section 28 - Contractor's Insurance

- (1) The Contractor shall procure and maintain during the life of this Contract, including the guarantee period and during any warranty work, such insurance policies, including those set forth below, as will protect itself and the City from all claims for bodily injuries, death or property damage that may arise under this Contract; whether the act(s) or omission(s) giving rise to the claim were made by the Contractor, any subcontractor, or anyone employed by them directly or indirectly. Prior to commencement of any work under this contract, Contractor shall provide to the City documentation satisfactory to the City, through City-approved means (currently myCOI), demonstrating it has obtained the required policies and endorsements. The certificates of insurance endorsements and/or copies of

policy language shall document that the Contractor satisfies the following minimum requirements. Contractor shall add registration@mycoitracking.com to its safe sender's list so that it will receive necessary communication from myCOI. When requested, Contractor shall provide the same documentation for its subcontractor(s) (if any).

Required insurance policies include:

- (a) Worker's Compensation Insurance in accordance with all applicable state and federal statutes. Further, Employers Liability Coverage shall be obtained in the following minimum amounts:

Bodily Injury by Accident - \$500,000 each accident
Bodily Injury by Disease - \$500,000 each employee
Bodily Injury by Disease - \$500,000 each policy limit

- (b) Commercial General Liability Insurance equivalent to, as a minimum, Insurance Services Office form CG 00 01 04 13 or current equivalent. The City of Ann Arbor shall be named as an additional insured. There shall be no added exclusions or limiting endorsements specifically for the following coverages: Products and Completed Operations, Explosion, Collapse and Underground coverage or Pollution. Further there shall be no added exclusions or limiting endorsements that diminish the City's protections as an additional insured under the policy. The following minimum limits of liability are required:

\$1,000,000	Each occurrence as respect Bodily Injury Liability or Property Damage Liability, or both combined.
\$2,000,000	Per Project General Aggregate
\$1,000,000	Personal and Advertising Injury
\$2,000,000	Products and Completed Operations Aggregate, which, notwithstanding anything to the contrary herein, shall be maintained for three years from the date the Project is completed.

- (c) Motor Vehicle Liability Insurance, including Michigan No-Fault Coverages, equivalent to, as a minimum, Insurance Services Office form CA 00 01 10 13 or current equivalent. Coverage shall include all owned vehicles, all non-owned vehicles and all hired vehicles. The City of Ann Arbor shall be named as an additional insured. There shall be no added exclusions or limiting endorsements that diminish the City's protections as an additional insured under the policy. Further, the limits of liability shall be \$1,000,000 for each occurrence as respects Bodily Injury Liability or Property Damage Liability, or both combined.

- (d) Umbrella/Excess Liability Insurance shall be provided to apply excess of the Commercial General Liability, Employers Liability and the Motor Vehicle coverage enumerated above, for each occurrence and for aggregate in the amount of \$1,000,000.

- (2) Insurance required under subsection (1)(b) and (1)(c) above shall be considered primary as respects any other valid or collectible insurance that the City may possess, including any self-insured retentions the City may have; and any other insurance the City does possess shall be considered excess insurance only and shall not be required to contribute

with this insurance. Further, the Contractor agrees to waive any right of recovery by its insurer against the City for any insurance listed herein.

- (3) Insurance companies and policy forms are subject to approval of the City Attorney, which approval shall not be unreasonably withheld. Documentation must provide and demonstrate an unconditional and un-qualified 30-day written notice of cancellation in favor of the City of Ann Arbor. Further, the documentation must explicitly state the following: (a) the policy number(s); name of insurance company(s); name and address of the agent(s) or authorized representative(s); name(s), email address(es), and address of insured; project name; policy expiration date; and specific coverage amounts; (b) any deductibles or self-insured retentions which may be approved by the City, in its sole discretion; (c) that the policy conforms to the requirements specified Contractor shall furnish the City with satisfactory certificates of insurance and endorsements prior to commencement of any work. Upon request, the Contractor shall provide within 30 days a copy of the policy(ies) and all required endorsements to the City. If any of the above coverages expire by their terms during the term of this Contract, the Contractor shall deliver proof of renewal and/or new policies and endorsements to the Administering Service Area/Unit at least ten days prior to the expiration date.
- (4) Any Insurance provider of Contractor shall be authorized to do business in the State of Michigan and shall carry and maintain a minimum rating assigned by A.M. Best & Company's Key Rating Guide of "A-" Overall and a minimum Financial Size Category of "V". Insurance policies and certificates issued by non-authorized insurance companies are not acceptable unless approved in writing by the City.
- (5) City reserves the right to require additional coverage and/or coverage amounts as may be included from time to time in the Detailed Specifications for the Project.
- (6) The provisions of General Condition 28 shall survive the expiration or earlier termination of this contract for any reason.

Section 29 - Surety Bonds

Bonds will be required from the successful bidder as follows:

- (1) A Performance Bond to the City of Ann Arbor for the amount of the bid(s) accepted;
- (2) A Labor and Material Bond to the City of Ann Arbor for the amount of the bid(s) accepted.

Bonds shall be executed on forms supplied by the City in a manner and by a Surety Company authorized to transact business in Michigan and satisfactory to the City Attorney.

Section 30 - Damage Claims

The Contractor shall be held responsible for all damages to property of the City or others, caused by or resulting from the negligence of the Contractor, its employees, or agents during the progress of or connected with the prosecution of the work, whether within the limits of the work or elsewhere. The Contractor must restore all property injured including sidewalks, curbing, sodding, pipes, conduit, sewers or other public or private property to not less than its original condition with new work.

Section 31 - Refusal to Obey Instructions

If the Contractor refuses to obey the instructions of the Supervising Professional, the Supervising Professional shall withdraw inspection from the work, and no payments will be made for work performed thereafter nor may work be performed thereafter until the Supervising Professional shall have again authorized the work to proceed.

Section 32 - Assignment

Neither party to the Contract shall assign the Contract without the written consent of the other. The Contractor may assign any monies due to it to a third party acceptable to the City.

Section 33 - Rights of Various Interests

Whenever work being done by the City's forces or by other contractors is contiguous to work covered by this Contract, the respective rights of the various interests involved shall be established by the Supervising Professional, to secure the completion of the various portions of the work in general harmony.

The Contractor is responsible to coordinate all aspects of the work, including coordination of, and with, utility companies and other contractors whose work impacts this project.

Section 34 - Subcontracts

The Contractor shall not award any work to any subcontractor without prior written approval of the City. The approval will not be given until the Contractor submits to the City a written statement concerning the proposed award to the subcontractor. The statement shall contain all information the City may require.

The Contractor shall be as fully responsible to the City for the acts and omissions of its subcontractors, and of persons either directly or indirectly employed by them, as it is for the acts and omissions of persons directly employed by it.

The Contractor shall cause appropriate provisions to be inserted in all subcontracts relative to the work to bind subcontractors to the Contractor by the terms of the General Conditions and all other contract documents applicable to the work of the subcontractors and to give the Contractor the same power to terminate any subcontract that the City may exercise over the Contractor under any provision of the contract documents.

Nothing contained in the contract documents shall create any contractual relation between any subcontractor and the City.

Section 35 - Supervising Professional's Status

The Supervising Professional has the right to inspect any or all work. The Supervising Professional has authority to stop the work whenever stoppage may be appropriate to insure the proper execution of the Contract. The Supervising Professional has the authority to reject all work and materials which do not conform to the Contract and to decide questions which arise in the execution of the work.

The Supervising Professional shall make all measurements and determinations of quantities. Those measurements and determinations are final and conclusive between the parties.

Section 36 - Supervising Professional's Decisions

The Supervising Professional shall, within a reasonable time after their presentation to the Supervising Professional, make decisions in writing on all claims of the City or the Contractor and on all other matters relating to the execution and progress of the work or the interpretation of the contract documents.

Section 37 - Storing Materials and Supplies

Materials and supplies may be stored at the site of the work at locations agreeable to the City unless specific exception is listed elsewhere in these documents. Ample way for foot traffic and drainage must be provided, and gutters must, at all times, be kept free from obstruction. Traffic on streets shall be interfered with as little as possible. The Contractor may not enter or occupy with agents, employees, tools, or material any private property without first obtaining written permission from its owner. A copy of the permission shall be furnished to the Supervising Professional.

Section 38 - Lands for Work

The Contractor shall provide, at its own expense and without liability to the City, any additional land and access that may be required for temporary construction facilities or for storage of materials.

Section 39 - Cleaning Up

The Contractor shall, as directed by the Supervising Professional, remove at its own expense from the City's property and from all public and private property all temporary structures, rubbish and waste materials resulting from its operations unless otherwise specifically approved, in writing, by the Supervising Professional.

Section 40 - Salvage

The Supervising Professional may designate for salvage any materials from existing structures or underground services. Materials so designated remain City property and shall be transported or stored at a location as the Supervising Professional may direct.

Section 41 - Night, Saturday or Sunday Work

No night or Sunday work (without prior written City approval) will be permitted except in the case of an emergency and then only to the extent absolutely necessary. The City may allow night work which, in the opinion of the Supervising Professional, can be satisfactorily performed at night. Night work is any work between 8:00 p.m. and 7:00 a.m. No Saturday work will be permitted unless the Contractor gives the Supervising Professional at least 48 hours but not more than 5 days notice of the Contractor's intention to work the upcoming Saturday.

Section 42 - Sales Taxes

Under State law the City is exempt from the assessment of State Sales Tax on its direct purchases. Contractors who acquire materials, equipment, supplies, etc. for incorporation in City projects are not likewise exempt. State Law shall prevail. The Bidder shall familiarize itself with the State Law and prepare its Bid accordingly. No extra payment will be allowed under this Contract for failure of the Contractor to make proper allowance in this bid for taxes it must pay.

Section 43

CONTRACTOR'S DECLARATION

I hereby declare that I have not, during the period _____, 20____, to _____, 20____, performed any work, furnished any materials, sustained any loss, damage or delay, or otherwise done anything in addition to the regular items (or executed change orders) set forth in the Contract titled _____, for which I shall ask, demand, sue for, or claim compensation or extension of time from the City, except as I hereby make claim for additional compensation or extension of time as set forth on the attached itemized statement. I further declare that I have paid all payroll obligations related to this Contract that have become due during the above period and that all invoices related to this Contract received more than 30 days prior to this declaration have been paid in full except as listed below.

There is/is not (Contractor please circle one and strike one as appropriate) an itemized statement attached regarding a request for additional compensation or extension of time.

Contractor

Date

By _____
(Signature)

Its _____
(Title of Office)

Past due invoices, if any, are listed below.

STANDARD SPECIFICATIONS

All work under this contract shall be performed in accordance with the Public Services Department Standard Specifications in effect at the date of availability of the contract documents stipulated in the Bid. All work under this Contract which is not included in these Standard Specifications, or which is performed using modifications to these Standard Specifications, shall be performed in accordance with the Detailed Specifications included in these contract documents.

Standard Specifications are available online:

<http://www.a2gov.org/departments/engineering/Pages/Engineering-and-Contractor-Resources.aspx>

DETAILED SPECIFICATIONS

APPENDIX

ATTACHMENT B
GENERAL DECLARATIONS

City of Ann Arbor
Guy C. Larcom Municipal Building
Ann Arbor, Michigan 48107

Ladies and Gentlemen:

The undersigned, as Bidder, declares that this Bid is made in good faith, without fraud or collusion with any person or persons bidding on the same Contract; that this Bidder has carefully read and examined the bid documents, including City Nondiscrimination requirements and Declaration of Compliance Form, Living Wage requirements and Declaration of Compliance Form, Prevailing Wage requirements and Declaration of Compliance Form, Vendor Conflict of Interest Form, Notice of Pre-Bid Conference, General Information, Bid, Bid Forms, Contract, Bond Forms, General Conditions, Standard Specifications, Detailed Specifications, all Addenda, and the Plans (if applicable) and understands them. The Bidder declares that it conducted a full investigation at the site and of the work proposed and is fully informed as to the nature of the work and the conditions relating to the work's performance. The Bidder also declares that it has extensive experience in successfully completing projects similar to this one.

The Bidder acknowledges that it has not received or relied upon any representations or warrants of any nature whatsoever from the City of Ann Arbor, its agents or employees, and that this Bid is based solely upon the Bidder's own independent business judgment.

The undersigned proposes to perform all work shown on the plans or described in the bid documents, including any addenda issued, and to furnish all necessary machinery, tools, apparatus, and other means of construction to do all the work, furnish all the materials, and complete the work in strict accordance with all terms of the Contract of which this Bid is one part.

In accordance with these bid documents, and Addenda numbered _____, the undersigned, as Bidder, proposes to perform at the sites in and/or around Ann Arbor, Michigan, all the work included herein for the amounts set forth in the Bid Forms.

The Bidder declares that it has become fully familiar with the liquidated damage clauses for completion times and for compliance with City Code Chapter 112, understands and agrees that the liquidated damages are for the non-quantifiable aspects of non-compliance and do not cover actual damages that may be shown and agrees that if awarded the Contract, all liquidated damage clauses form part of the Contract.

The Bidder declares that it has become fully familiar with the provisions of Chapter 14, Section 1:320 (Prevailing wages) and Chapter 23 (Living Wage) of the Code of the City of Ann Arbor and that it understands and agrees to comply, to the extent applicable to employees providing services to the City under this Contract, with the wage and reporting requirements stated in the City Code provisions cited. Bidder certifies that the statements contained in the City Prevailing Wage and Living Wage Declaration of Compliance Forms are true and correct. Bidder further agrees that the cited provisions of Chapter 14 and Chapter 23 form a part of this Contract.

The Bidder declares that it has become familiar with the City Conflict of Interest Disclosure Form and certifies that the statement contained therein is true and correct.

The Bidder encloses a certified check or Bid Bond in the amount of 5% of the total of the Bid Price. The Bidder agrees both to contract for the work and to furnish the necessary Bonds and insurance documentation within 10 days after being notified of the acceptance of the Bid.

If this Bid is accepted by the City and the Bidder fails to contract and furnish the required Bonds and insurance documentation within 10 days after being notified of the acceptance of this Bid, then the Bidder shall be considered to have abandoned the Contract and the certified check or Bid Bond accompanying this Bid shall become due and payable to the City.

If the Bidder enters into the Contract in accordance with this Bid, or if this Bid is rejected, then the accompanying check or Bid Bond shall be returned to the Bidder.

In submitting this Bid, it is understood that the right is reserved by the City to accept any Bid, to reject any or all Bids, to waive irregularities and/or informalities in any Bid, and to make the award in any manner the City believes to be in its best interest.

SIGNED THIS _____ DAY OF _____, 202_.

Bidder's Name

Authorized Signature of Bidder

Official Address

(Print Name of Signer Above)

Telephone Number

Email Address for Award Notice

ATTACHMENT C
LEGAL STATUS OF BIDDER

(The bidder shall fill out the appropriate form and strike out the other three.)

Bidder declares that it is:

* A corporation organized and doing business under the laws of the State of _____, for whom _____, bearing the office title of _____, whose signature is affixed to this Bid, is authorized to execute contracts.

NOTE: If not incorporated in Michigan, please attach the corporation's Certificate of Authority

• A limited liability company doing business under the laws of the State of _____, whom _____ bearing the title of _____ whose signature is affixed to this proposal, is authorized to execute contract on behalf of the LLC.

* A partnership, organized under the laws of the state of _____ and filed in the county of _____, whose members are (list all members and the street and mailing address of each) (attach separate sheet if necessary):

* An individual, whose signature with address, is affixed to this Bid: _____
(initial here)

Authorized Official

_____ **Date** _____, 202_

(Print) Name _____ Title _____

Company:

Address:

Contact Phone () _____ Fax () _____

Email _____

ATTACHMENT D
PREVAILING WAGE DECLARATION OF COMPLIANCE

The "wage and employment requirements" of Section 1:320 of Chapter 14 of Title I of the Ann Arbor City Code mandates that the city not enter any contract, understanding or other arrangement for a public improvement for or on behalf of the city unless the contract provides that all craftsmen, mechanics and laborers employed directly on the site in connection with said improvements, including said employees of subcontractors, shall receive the prevailing wage for the corresponding classes of craftsmen, mechanics and laborers, as determined by statistics for the Ann Arbor area compiled by the United States Department of Labor. Where the contract and the Ann Arbor City Code are silent as to definitions of terms required in determining contract compliance with regard to prevailing wages, the definitions provided in the Davis-Bacon Act as amended (40 U.S.C. 278-a to 276-a-7) for the terms shall be used. Further, to the extent that any employees of the contractor providing services under this contract are not part of the class of craftsmen, mechanics and laborers who receive a prevailing wage in conformance with section 1:320 of Chapter 14 of Title I of the Code of the City of Ann Arbor, employees shall be paid a prescribed minimum level of compensation (i.e. Living Wage) for the time those employees perform work on the contract in conformance with section 1:815 of Chapter 23 of Title I of the Code of the City of Ann Arbor.

At the request of the city, any contractor or subcontractor shall provide satisfactory proof of compliance with this provision.

The Contractor agrees:

- (a) To pay each of its employees whose wage level is required to comply with federal, state or local prevailing wage law, for work covered or funded by this contract with the City,
- (b) To require each subcontractor performing work covered or funded by this contract with the City to pay each of its employees the applicable prescribed wage level under the conditions stated in subsection (a) or (b) above.
- (c) To provide to the City payroll records or other documentation within ten (10) business days from the receipt of a request by the City.
- (d) To permit access to work sites to City representatives for the purposes of monitoring compliance, and investigating complaints or non-compliance.

The undersigned states that he/she has the requisite authority to act on behalf of his/her employer in these matters and has offered to provide the services in accordance with the terms of the wage and employment provisions of the Chapter 14 of the Ann Arbor City Code. The undersigned certifies that he/she has read and is familiar with the terms of Section 1:320 of Chapter 14 of the Ann Arbor City Code and by executing this Declaration of Compliance obligates his/her employer and any subcontractor employed by it to perform work on the contract to the wage and employment requirements stated herein. The undersigned further acknowledges and agrees that if it is found to be in violation of the wage and employment requirements of Section 1:320 of the Chapter 14 of the Ann Arbor City Code it shall have been deemed a material breach of the terms of the contract and grounds for termination of same by the City.

Company Name

Signature of Authorized Representative

Date

Print Name and Title

Address, City, State, Zip

Phone/Email address

Questions about this form? Contact Procurement Office City of Ann Arbor Phone: 734/794-6500

ATTACHMENT E

LIVING WAGE ORDINANCE DECLARATION OF COMPLIANCE

The Ann Arbor Living Wage Ordinance (Section 1:811-1:821 of Chapter 23 of Title I of the Code) requires that an employer who is (a) a contractor providing services to or for the City for a value greater than \$10,000 for any twelve-month contract term, or (b) a recipient of federal, state, or local grant funding administered by the City for a value greater than \$10,000, or (c) a recipient of financial assistance awarded by the City for a value greater than \$10,000, shall pay its employees a prescribed minimum level of compensation (i.e., Living Wage) for the time those employees perform work on the contract or in connection with the grant or financial assistance. The Living Wage must be paid to these employees for the length of the contract/program.

Companies employing fewer than 5 persons and non-profits employing fewer than 10 persons are exempt from compliance with the Living Wage Ordinance. If this exemption applies to your company/non-profit agency please check here No. of employees _____

The Contractor or Grantee agrees:

- (a) To pay each of its employees whose wage level is not required to comply with federal, state or local prevailing wage law, for work covered or funded by a contract with or grant from the City, no less than the Living Wage. The current Living Wage is defined as \$16.43/hour for those employers that provide employee health care (as defined in the Ordinance at Section 1:815 Sec. 1 (a)), or no less than \$18.32/hour for those employers that do not provide health care. The Contractor or Grantor understands that the Living Wage is adjusted and established annually on April 30 in accordance with the Ordinance and covered employers shall be required to pay the adjusted amount thereafter to be in compliance with Section 1:815(3).

Check the applicable box below which applies to your workforce

- Employees who are assigned to any covered City contract/grant will be paid at or above the applicable living wage without health benefits
- Employees who are assigned to any covered City contract/grant will be paid at or above the applicable living wage with health benefits

- (b) To post a notice approved by the City regarding the applicability of the Living Wage Ordinance in every work place or other location in which employees or other persons contracting for employment are working.
- (c) To provide to the City payroll records or other documentation within ten (10) business days from the receipt of a request by the City.
- (d) To permit access to work sites to City representatives for the purposes of monitoring compliance, and investigating complaints or non-compliance.
- (e) To take no action that would reduce the compensation, wages, fringe benefits, or leave available to any employee covered by the Living Wage Ordinance or any person contracted for employment and covered by the Living Wage Ordinance in order to pay the living wage required by the Living Wage Ordinance.

The undersigned states that he/she has the requisite authority to act on behalf of his/her employer in these matters and has offered to provide the services or agrees to accept financial assistance in accordance with the terms of the Living Wage Ordinance. The undersigned certifies that he/she has read and is familiar with the terms of the Living Wage Ordinance, obligates the Employer/Grantee to those terms and acknowledges that if his/her employer is found to be in violation of Ordinance it may be subject to civil penalties and termination of the awarded contract or grant of financial assistance.

Company Name

Street Address

Signature of Authorized Representative

Date

City, State, Zip

Print Name and Title

Phone/Email address

Attachment F

CITY OF ANN ARBOR LIVING WAGE ORDINANCE

RATE EFFECTIVE APRIL 30, 2024 - ENDING APRIL 29, 2025

\$16.43 per hour

If the employer provides health care benefits*

\$18.32 per hour

If the employer does **NOT** provide health care benefits*

Employers providing services to or for the City of Ann Arbor or recipients of grants or financial assistance from the City of Ann Arbor for a value of more than \$10,000 in a twelve-month period of time must pay those employees performing work on a City of Ann Arbor contract or grant, the above living wage.

ENFORCEMENT

The City of Ann Arbor may recover back wages either administratively or through court action for the employees that have been underpaid in violation of the law. Persons denied payment of the living wage have the right to bring a civil action for damages in addition to any action taken by the City.

Violation of this Ordinance is punishable by fines of not more than \$500/violation plus costs, with each day being considered a separate violation. Additionally, the City of Ann Arbor has the right to modify, terminate, cancel or suspend a contract in the event of a violation of the Ordinance.

* Health Care benefits include those paid for by the employer or making an employer contribution toward the purchase of health care. The employee contribution must not exceed \$.50 an hour for an average work week; and the employer cost or contribution must equal no less than \$1/hr for the average work week.

The Law Requires Employers to Display This Poster Where Employees Can Readily See It.

**For Additional Information or to File a Complaint contact
Colin Spencer at 734/794-6500 or cspencer@a2gov.org**



ATTACHEMENT G

Vendor Conflict of Interest Disclosure Form
--

All vendors interested in conducting business with the City of Ann Arbor must complete and return the Vendor Conflict of Interest Disclosure Form in order to be eligible to be awarded a contract. Please note that all vendors are subject to comply with the City of Ann Arbor’s conflict of interest policies as stated within the certification section below.

If a vendor has a relationship with a City of Ann Arbor official or employee, an immediate family member of a City of Ann Arbor official or employee, the vendor shall disclose the information required below.

1. No City official or employee or City employee’s immediate family member has an ownership interest in vendor’s company or is deriving personal financial gain from this contract.
2. No retired or separated City official or employee who has been retired or separated from the City for less than one (1) year has an ownership interest in vendor’s Company.
3. No City employee is contemporaneously employed or prospectively to be employed with the vendor.
4. Vendor hereby declares it has not and will not provide gifts or hospitality of any dollar value or any other gratuities to any City employee or elected official to obtain or maintain a contract.
5. Please note any exceptions below:

Conflict of Interest Disclosure*	
Name of City of Ann Arbor employees, elected officials or immediate family members with whom there may be a potential conflict of interest.	<input type="checkbox"/> Relationship to employee <hr style="border: 0; border-top: 1px solid black;"/> <input type="checkbox"/> Interest in vendor’s company <input type="checkbox"/> Other (please describe in box below)

*Disclosing a potential conflict of interest does not disqualify vendors. In the event vendors do not disclose potential conflicts of interest and they are detected by the City, vendor will be exempt from doing business with the City.

I certify that this Conflict of Interest Disclosure has been examined by me and that its contents are true and correct to my knowledge and belief and I have the authority to so certify on behalf of the Vendor by my signature below:		
Vendor Name	Vendor Phone Number	
Signature of Vendor Authorized Representative	Date	Printed Name of Vendor Authorized Representative

Questions about this form? Contact Procurement Office City of Ann Arbor Phone: 734/794-6500, procurement@a2gov.org

ATTACHMENT H

DECLARATION OF COMPLIANCE

Non-Discrimination Ordinance

The "non discrimination by city contractors" provision of the City of Ann Arbor Non-Discrimination Ordinance (Ann Arbor City Code Chapter 112, Section 9:158) requires all contractors proposing to do business with the City to treat employees in a manner which provides equal employment opportunity and does not discriminate against any of their employees, any City employee working with them, or any applicant for employment on the basis of actual or perceived age, arrest record, color, disability, educational association, familial status, family responsibilities, gender expression, gender identity, genetic information, height, HIV status, marital status, national origin, political beliefs, race, religion, sex, sexual orientation, source of income, veteran status, victim of domestic violence or stalking, or weight. It also requires that the contractors include a similar provision in all subcontracts that they execute for City work or programs.

In addition the City Non-Discrimination Ordinance requires that all contractors proposing to do business with the City of Ann Arbor must satisfy the contract compliance administrative policy adopted by the City Administrator. A copy of that policy may be obtained from the Purchasing Manager

The Contractor agrees:

- (a) To comply with the terms of the City of Ann Arbor's Non-Discrimination Ordinance and contract compliance administrative policy, including but not limited to an acceptable affirmative action program if applicable.
- (b) To post the City of Ann Arbor's Non-Discrimination Ordinance Notice in every work place or other location in which employees or other persons are contracted to provide services under a contract with the City.
- (c) To provide documentation within the specified time frame in connection with any workforce verification, compliance review or complaint investigation.
- (d) To permit access to employees and work sites to City representatives for the purposes of monitoring compliance, or investigating complaints of non-compliance.

The undersigned states that he/she has the requisite authority to act on behalf of his/her employer in these matters and has offered to provide the services in accordance with the terms of the Ann Arbor Non-Discrimination Ordinance. The undersigned certifies that he/she has read and is familiar with the terms of the Non-Discrimination Ordinance, obligates the Contractor to those terms and acknowledges that if his/her employer is found to be in violation of Ordinance it may be subject to civil penalties and termination of the awarded contract.

Company Name

Signature of Authorized Representative

Date

Print Name and Title

Address, City, State, Zip

Phone/Email Address

Questions about the Notice or the City Administrative Policy, Please contact:
Procurement Office of the City of Ann Arbor
(734) 794-6500

ATTACHMENT I

CITY OF ANN ARBOR NON-DISCRIMINATION ORDINANCE

Relevant provisions of Chapter 112, Nondiscrimination, of the Ann Arbor City Code are included below.
You can review the entire ordinance at www.a2gov.org/humanrights.

Intent: It is the intent of the city that no individual be denied equal protection of the laws; nor shall any individual be denied the enjoyment of his or her civil or political rights or be discriminated against because of actual or perceived age, arrest record, color, disability, educational association, familial status, family responsibilities, gender expression, gender identity, genetic information, height, HIV status, marital status, national origin, political beliefs, race, religion, sex, sexual orientation, source of income, veteran status, victim of domestic violence or stalking, or weight.

Discriminatory Employment Practices: No person shall discriminate in the hire, employment, compensation, work classifications, conditions or terms, promotion or demotion, or termination of employment of any individual. No person shall discriminate in limiting membership, conditions of membership or termination of membership in any labor union or apprenticeship program.

Discriminatory Effects: No person shall adopt, enforce or employ any policy or requirement which has the effect of creating unequal opportunities according to actual or perceived age, arrest record, color, disability, educational association, familial status, family responsibilities, gender expression, gender identity, genetic information, height, HIV status, marital status, national origin, political beliefs, race, religion, sex, sexual orientation, source of income, veteran status, victim of domestic violence or stalking, or weight for an individual to obtain housing, employment or public accommodation, except for a bona fide business necessity. Such a necessity does not arise due to a mere inconvenience or because of suspected objection to such a person by neighbors, customers or other persons.

Nondiscrimination by City Contractors: All contractors proposing to do business with the City of Ann Arbor shall satisfy the contract compliance administrative policy adopted by the City Administrator in accordance with the guidelines of this section. All city contractors shall ensure that applicants are employed and that employees are treated during employment in a manner which provides equal employment opportunity and tends to eliminate inequality based upon any classification protected by this chapter. All contractors shall agree not to discriminate against an employee or applicant for employment with respect to hire, tenure, terms, conditions, or privileges of employment, or a matter directly or indirectly related to employment, because of any applicable protected classification. All contractors shall be required to post a copy of Ann Arbor's Non-Discrimination Ordinance at all work locations where its employees provide services under a contract with the city.

Complaint Procedure: If any individual believes there has been a violation of this chapter, he/she may file a complaint with the City's Human Rights Commission. The complaint must be filed within 180 calendar days from the date of the individual's knowledge of the allegedly discriminatory action or 180 calendar days from the date when the individual should have known of the allegedly discriminatory action. A complaint that is not filed within this timeframe cannot be considered by the Human Rights Commission. To file a complaint, first complete the complaint form, which is available at www.a2gov.org/humanrights. Then submit it to the Human Rights Commission by e-mail (hrc@a2gov.org), by mail (Ann Arbor Human Rights Commission, PO Box 8647, Ann Arbor, MI 48107), or in person (City Clerk's Office). For further information, please call the commission at 734-794-6141 or e-mail the commission at hrc@a2gov.org.

Private Actions For Damages or Injunctive Relief: To the extent allowed by law, an individual who is the victim of discriminatory action in violation of this chapter may bring a civil action for appropriate injunctive relief or damages or both against the person(s) who acted in violation of this chapter.

THIS IS AN OFFICIAL GOVERNMENT NOTICE AND
MUST BE DISPLAYED WHERE EMPLOYEES CAN READILY SEE IT.

MICHIGAN DEPARTMENT OF TRANSPORTATION CERTIFIED PAYROLL

COMPLETION OF CERTIFIED PAYROLL FORM FULFILLS THE MINIMUM MDOT PREVAILING WAGE REQUIREMENTS

(1) NAME OF CONTRACTOR / SUBCONTRACTOR (CIRCLE ONE) (2) ADDRESS

(3) PAYROLL NO. (4) FOR WEEK ENDING (5) PROJECT AND LOCATION (6) CONTRACT ID

(a)	(b)	(c)	(d) DAY AND DATE							(e)	(f)	(g)	(h)	(i)	(j) DEDUCTIONS						(k)
															TOTAL HOURS ON PROJECT	PROJECT RATE OF PAY	PROJECT RATE OF FRINGE PAY	GROSS PROJECT EARNED	GROSS WEEKLY EARNED	TOTAL WEEKLY HOURS WORKED ALL JOBS	
EMPLOYEE INFORMATION	WORK CLASSIFICATION	Hour Type	HOURS WORKED ON PROJECT							TOTAL HOURS ON PROJECT	PROJECT RATE OF PAY	PROJECT RATE OF FRINGE PAY	GROSS PROJECT EARNED	GROSS WEEKLY EARNED	TOTAL WEEKLY HOURS WORKED ALL JOBS	FICA	FEDERAL	STATE	OTHER	TOTAL DEDUCT	TOTAL WEEKLY WAGES PAID FOR ALL JOBS
NAME:									0				\$0.00							\$0.00	\$0.00
ETH#GEN: ID #:	GROUP/CLASS #:	S							0											\$0.00	\$0.00
NAME:									0				\$0.00							\$0.00	\$0.00
ETH#GEN: ID #:	GROUP/CLASS #:	S							0											\$0.00	\$0.00
NAME:									0				\$0.00							\$0.00	\$0.00
ETH#GEN: ID #:	GROUP/CLASS #:	S							0											\$0.00	\$0.00
NAME:									0				\$0.00							\$0.00	\$0.00
ETH#GEN: ID #:	GROUP/CLASS #:	S							0											\$0.00	\$0.00
NAME:									0				\$0.00							\$0.00	\$0.00
ETH#GEN: ID #:	GROUP/CLASS #:	S							0											\$0.00	\$0.00
NAME:									0				\$0.00							\$0.00	\$0.00
ETH#GEN: ID #:	GROUP/CLASS #:	S							0											\$0.00	\$0.00
NAME:									0				\$0.00							\$0.00	\$0.00

Date _____

I, _____ (Name of Signatory Party) _____ (Title)

do hereby state:

(1) That I pay or supervise the payment of the persons employed by

_____ on the _____ (Contractor or Subcontractor)
 _____; that during the payroll period commencing on the _____ (Building or Work)
 _____ day of _____, _____, and ending the _____ day of _____, _____,
 all persons employed on said project have been paid the full weekly wages earned, that no rebates have been or will be made either directly or indirectly to or on behalf of said

_____ from the full _____ (Contractor or Subcontractor)

weekly wages earned by any person and that no deductions have been made either directly or indirectly from the full wages earned by any person, other than permissible deductions as defined in Regulations, Part 3 (29 C.F.R. Subtitle A), issued by the Secretary of Labor under the Copeland Act, as amended (48 Stat. 948, 63 Stat. 108, 72 Stat. 967; 76 Stat. 357; 40 U.S.C. § 3145), and described below:

(2) That any payrolls otherwise under this contract required to be submitted for the above period are correct and complete; that the wage rates for laborers or mechanics contained therein are not less than the applicable wage rates contained in any wage determination incorporated into the contract; that the classifications set forth therein for each laborer or mechanic conform with the work he performed.

(3) That any apprentices employed in the above period are duly registered in a bona fide apprenticeship program registered with a State apprenticeship agency recognized by the Bureau of Apprenticeship and Training, United States Department of Labor, or if no such recognized agency exists in a State, are registered with the Bureau of Apprenticeship and Training, United States Department of Labor.

(4) That:

(a) WHERE FRINGE BENEFITS ARE PAID TO APPROVED PLANS, FUNDS, OR PROGRAMS

- in addition to the basic hourly wage rates paid to each laborer or mechanic listed in the above referenced payroll, payments of fringe benefits as listed in the contract have been or will be made to appropriate programs for the benefit of such employees, except as noted in section 4(c) below.

(b) WHERE FRINGE BENEFITS ARE PAID IN CASH

- Each laborer or mechanic listed in the above referenced payroll has been paid, as indicated on the payroll, an amount not less than the sum of the applicable basic hourly wage rate plus the amount of the required fringe benefits as listed in the contract, except as noted in section 4(c) below.

(c) EXCEPTIONS

EXCEPTION (CRAFT)	EXPLANATION

REMARKS:

NAME AND TITLE	SIGNATURE

THE WILLFUL FALSIFICATION OF ANY OF THE ABOVE STATEMENTS MAY SUBJECT THE CONTRACTOR OR SUBCONTRACTOR TO CIVIL OR CRIMINAL PROSECUTION. SEE SECTION 1001 OF TITLE 18 AND SECTION 231 OF TITLE 31 OF THE UNITED STATES CODE.

CITY OF ANN ARBOR
DETAILED SPECIFICATION
FOR
PROJECT SCHEDULE AND PAYMENT

AA:TCA:FC

1 of 2

3/6/24

Description

Examination of Plans, Specifications, and Work Site

Bidders shall carefully examine the Bid Form, plans, specifications, and the work site until the Bidder is satisfied as to all local conditions affecting the contract and the detailed requirements of construction. The submission of the bid shall be considered prima facie evidence that the Bidder has made such examination and is satisfied as to the conditions to be encountered in performing the work and all requirements of the Contract.

The entire work under this Contract shall be completed in accordance with, and subject to, the scheduling requirements as outlined below, and all other requirements of the Contract Documents.

1. The Contractor shall begin the work of this project on or before **June 3, 2024**, and only upon receipt of the fully executed Contract and Notice to Proceed. Appropriate time extensions shall be granted if the Notice to Proceed is delayed beyond this date.
2. This Contract requires sidewalk and ramp installation, impacted driveways restored and turf restoration, and shall be completed within **one hundred and five (105) calendar days**. Contractor shall determine the sequence of work at the project locations and shall not be actively working on more than one project locations, unless otherwise approved by the Engineer. The two project locations include:
 - a. Stone School Rd – No longer than sixty (60) consecutive calendar days and open to traffic no later than Arbor School District start date on August 26, 2024.
 - b. Fair St and Glendale Ave – No longer than forty-five (45) consecutive calendar days and open to traffic by no later than November 1, 2024.
3. No work shall be performed during Holiday weekends as follows, unless approved by the City of Ann Arbor:
 - Fourth of July, from 3:00 p.m. Wednesday July 3, 2024, through 7:00 a.m. Friday July 5, 2024
 - Labor Day, from 3:00 p.m. Friday August 30, 2024, through 7:00 a.m. Tuesday September 3, 2024
4. No work shall be performed during University of Michigan home football games.
5. Minimize lane closures or deliveries to Stone School during Ann Arbor Art Fair July 18 - 20, 2024.

City Council approval is expected on or before **May 20, 2023**. The Contractor shall not begin the work without approval from the Project Engineer, and in no case before the receipt of the Notice to Proceed which is anticipated by **June 3, 2024**.

CITY OF ANN ARBOR
DETAILED SPECIFICATION
FOR
PROJECT SCHEDULE AND PAYMENT

AA:TCA:FC

2 of 2

3/6/24

Contractor will be furnished with two (2) copies of the Contract, for his/her execution, before the aforementioned City Council meeting. The Contractor shall properly execute both copies of the Contract and return them, with the required Bonds and Insurance Certificate, to the City within **ten (10) days**.

Time is of the essence in the performance of the work of this contract. The Contractor is expected to mobilize sufficient personnel and equipment and work throughout all authorized hours to complete the project by the final completion date. Should the Contractor demonstrate that they must work on some Sundays in order to maintain the project schedule, they may do so between the hours of 9:00 a.m. and 5:00 p.m. with prior approval from the City. There will be no additional compensation due to the Contractor for work performed on Sundays.

Prior to the start of any construction, the Contractor shall submit a detailed schedule of work for the Engineer's review and approval. Work shall not be started until a schedule is approved in writing by the Engineer. The proposed schedule must fully comply with the scheduling requirements contained in this Detailed Specification. The Contractor shall update the approved work schedule upon request by the Engineer and present it to the Engineer within seven days of said request.

Liquidated Damages

Failure to complete all work as specified herein within the times specified herein, including time extensions granted thereto as determined by the Engineer, shall entitle the City to deduct from the payments due the Contractor, **\$500** in Liquidated Damages, and not as a penalty, for delays in the completion of the work for each and every calendar day beyond the times for each sub-phase, as required by this Detailed Specification.

Liquidated Damages will be assessed until the required work is completed in the current construction season. If, with the Engineer's approval, work is extended beyond seasonal limitations, the assessment of Liquidated Damages will be discontinued until the work is resumed in the following construction season.

Measurement and Payment

If the construction Contract is not completed within the specified calendar day period including any extensions of time granted thereto, at the sole discretion of the City of Ann Arbor, this Contract may be terminated with no additional compensation due to the Contractor, and the Contractor may be forbidden to bid on future City of Ann Arbor projects for a period of at least three (3) years. If the Engineer elects to terminate the Contract, Contract items paid for on a Lump Sum basis shall be paid up to a maximum percentage equal to the percentage of the Contract work that has been completed.

Costs for the Contractor to organize, coordinate, and schedule all of the work of the project, will not be paid for separately, but shall be included in the bid price of the Contract Item "General Conditions, Max \$ 25,000".

CITY OF ANN ARBOR
DETAILED SPECIFICATION
FOR
SIGN, SALV AND RE-ERECT

SDA: APL

1 of 1

03/03/24

Description

This work shall consist of removing an existing sign, storing it and reinstalling it at a later date as shown on the construction plans. The salvaged signs shall be reinstalled in accordance with Article 10 of the City of Ann Arbor (CAA) 2024 Public Services Standard Specifications, Section 810 of the Michigan Department of Transportation (MDOT) 2020 Standard Specifications for Construction, and as specified herein.

Materials

Materials or hardware required to reinstall the salvaged sign, including replacing damaged materials, shall be in accordance with Section 810 of the MDOT 2020 Standard Specifications for Construction and are included in the pay item.

Concrete for sign footings, where required, shall be MDOT 3500 Grade in accordance with Section 1004 of the MDOT 2020 Standard Specifications for Construction.

Construction

Removal and storage of signs shall be in accordance with Section 810 of the MDOT 2020 Standard Specifications for Construction.

Signs may be reinstalled at the same or alternate nearby locations as shown on the plans or as directed by the engineer. Perform sign reinstallation in accordance with Section 810 of the MDOT 2020 Standard Specifications for Construction.

Where required, construct concrete foundation in kind in accordance with Subsection 810 of the MDOT 2020 Standard Specifications for Construction.

Measurement and Payment

Measure and pay for the completed work, as described, at the contract unit price at each location using the following pay item:

Pay Item	Pay Unit
DS_Sign, Salv and Re-Erect	Each

Measure **DS_Sign, Salv and Re-Erect** per each including all labor, material and equipment costs necessary to remove, store and protect the sign until it is ready for use, salvage and protect signposts from damage during the removal process, remove any existing concrete from salvaged posts, and re-erect salvaged sign and posts as directed. Also included in this work is installation of new MDOT 3500 concrete footings and furnishing and installing any posts and hardware as necessary that could not be salvaged to reinstall the salvaged sign.

CITY OF ANN ARBOR
DETAILED SPECIFICATION
FOR
TIMBER WALL, REM

SDA: APL

1 of 1

02/13/24

Description

This work includes the removal of existing timber retaining walls and disposing of all materials, posts and foundations as shown on the plans in accordance with Section 204 of the Michigan Department of Transportation (MDOT) 2020 Standard Specifications for Construction, as directed by the Engineer, and as modified herein.

Materials

Provide materials in accordance with those specified in Subsection 204.02 of the MDOT 2020 Standard Specifications for Construction.

Construction

Use construction methods as described in Subsection 204.03 of the MDOT 2020 Standard Specifications for Construction, and as directed by the Engineer.

Measurement and Payment

Measure and pay for the completed work, as described, at the contract unit price at each location using the following pay item:

Pay Item	Pay Unit
DS_Timber Wall, Rem.....	Square Foot

Measure **DS_Timber Wall, Rem** in place by the unit square foot and pay for them at their respective contract unit prices, which prices include the costs for all labor, equipment, and materials necessary to complete the work.

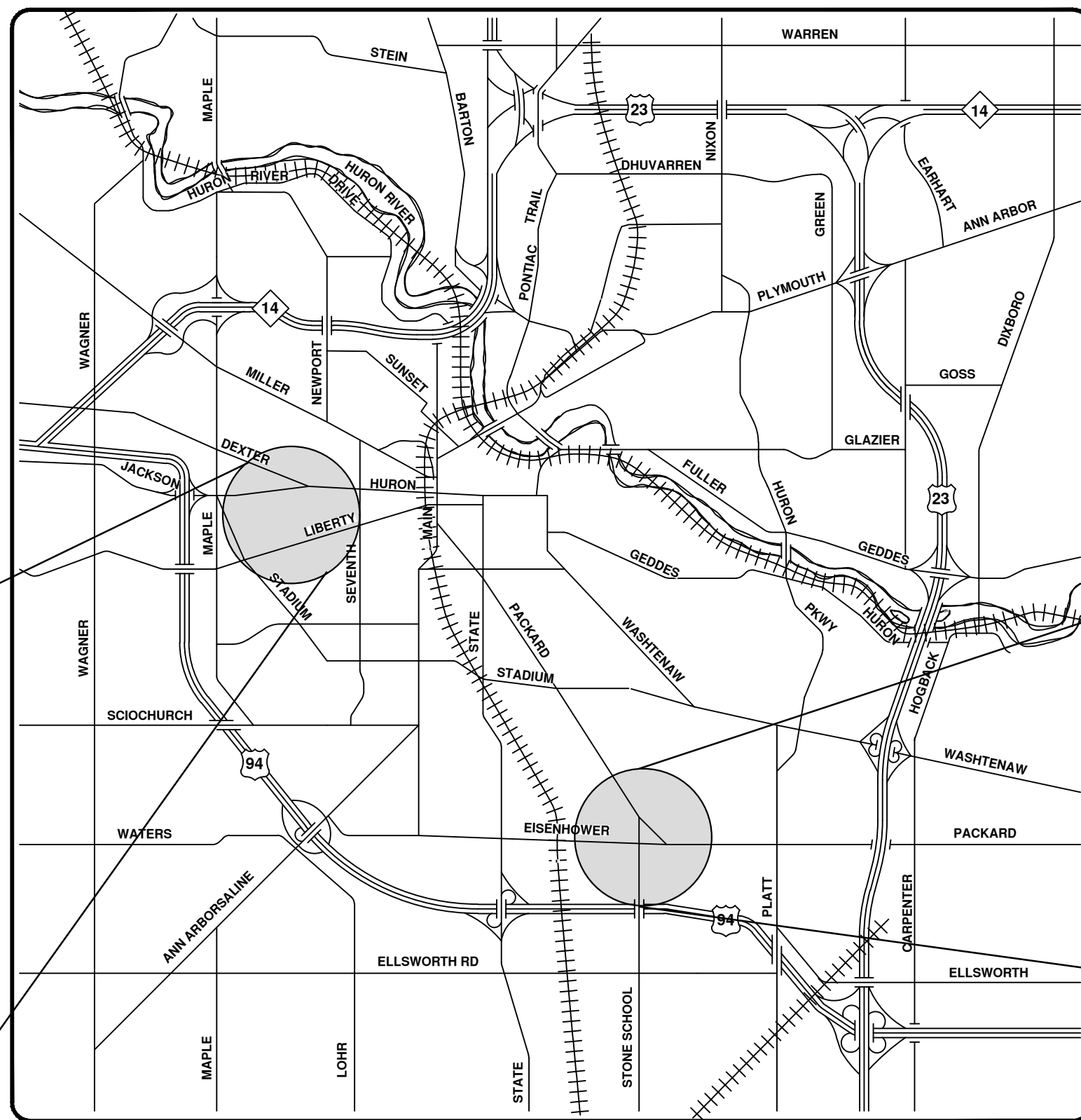
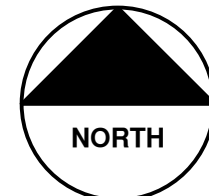


CITY OF ANN ARBOR ENGINEERING

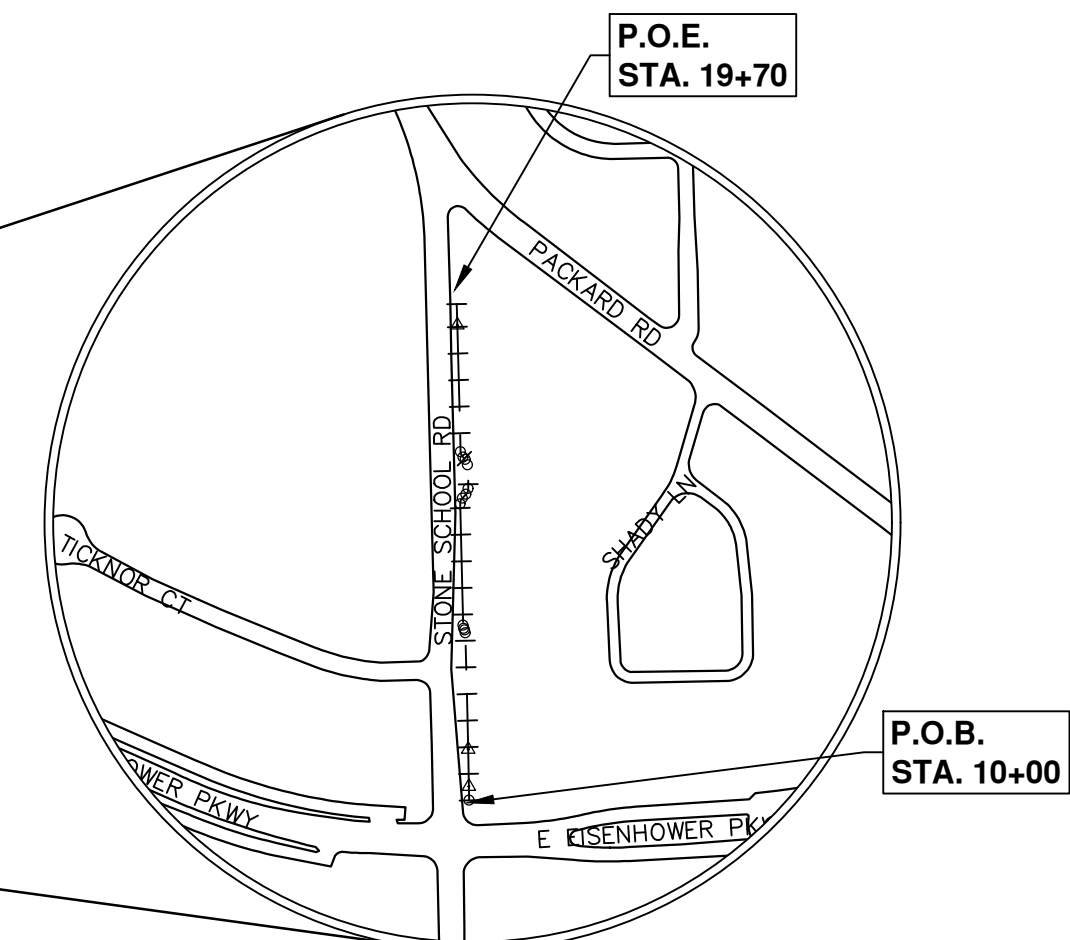
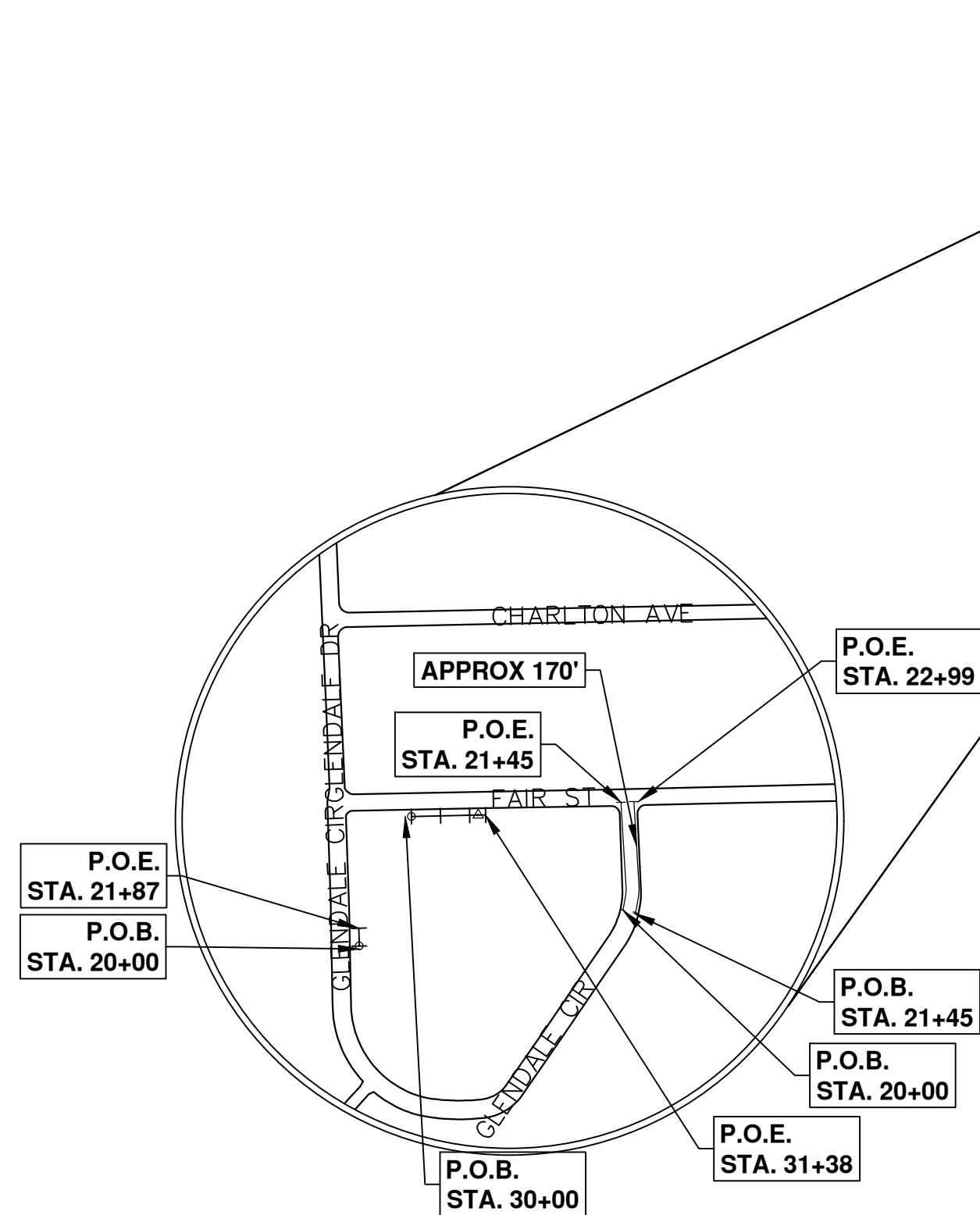
2024 SIDEWALK GAP PROJECT

RFP #24-14, FILE No. 2023-012

Sheet Number	Sheet Title
1	COVER SHEET
2	GENERAL NOTES
3	LEGEND
4	TYPICAL SECTIONS
5	REMOVAL PLAN - STONE SCHOOL ROAD
6	SIDEWALK LAYOUT PLAN - STONE SCHOOL ROAD
7	SIDEWALK PROFILE - STONE SCHOOL ROAD
8	MAINTENANCE OF TRAFFIC - STONE SCHOOL ROAD
9	REMOVAL PLAN - GLENDALE CIR & FAIR ST (WEST)
10	SIDEWALK LAYOUT PLAN & PROFILE - GLENDALE CIR & FAIR ST (WEST)
11	SIDEWALK LAYOUT PLAN AND PROFILE - FAIR STREET
12	REMOVAL PLAN - GLENDALE CIR EAST
13	SIDEWALK LAYOUT PLAN AND PROFILE - GLENDALE CIR (WEST)
14	SIDEWALK LAYOUT PLAN AND PROFILE - GLENDALE CIR (EAST)



VICINITY MAP



NOTES:

FOR PROTECTION OF UNDERGROUND UTILITIES AND IN CONFORMANCE WITH PUBLIC ACT 174 OF 2013, THE CONTRACTOR SHALL CALL 811 OR 1-800-482-7171 A MINIMUM OF THREE FULL WORKING DAYS, EXCLUDING SATURDAYS, SUNDAYS, AND HOLIDAYS, PRIOR TO BEGINNING EACH EXCAVATION IN AREAS WHERE PUBLIC UTILITIES HAVE NOT BEEN PREVIOUSLY LOCATED. MEMBERS WILL THUS BE ROUTINELY NOTIFIED. THIS DOES NOT RELIEVE THE CONTRACTOR OF THE RESPONSIBILITY OF NOTIFYING UTILITY OWNERS WHO MAY NOT BE A PART OF THE "MISS DIG" ALERT SYSTEM.

THE UNDERGROUND LOCATIONS SHOWN FOR NATURAL GAS, TELEPHONE, ELECTRICAL POWER, CABLE TV AND FIBER OPTIC LINES ARE APPROXIMATE. THE CITY OF ANN ARBOR ASSUMES NO RESPONSIBILITY FOR THEIR ACCURATE REPRESENTATION IN THIS DRAWING. MISS DIG MUST BE CONTACTED PRIOR TO CONSTRUCTION TO LOCATE THESE UTILITIES.

THE CONSTRUCTION COVERED BY THESE PLANS SHALL CONFORM TO THE 2024 EDITION OF THE CITY OF ANN ARBOR PUBLIC SERVICES DEPARTMENT STANDARD SPECIFICATIONS, ITS DETAILS, WHICH ARE INCLUDED BY REFERENCE, AND THIS PROJECT'S CONTRACT DOCUMENTS. THE OMISSION OF ANY CURRENT STANDARD DETAIL DOES NOT RELIEVE THE CONTRACTOR FROM THIS REQUIREMENT.



REV.	DESCRIPTION	DATE	DRAWN	CHECKED
4	BID PLANS	03/04/2024	AJC	ST
3	90% PLAN REVIEW	02/15/2024	AJC	ST
2	70% PLAN REVIEW	01/22/2024	AJC	ST
1	BASE PLAN REVIEW	09/03/2023	AJC	ST

CITY OF ANN ARBOR
PUBLIC SERVICES
301 EAST HURON STREET
ANN ARBOR, MI 48106-8647
www.a2gov.org



CITY OF ANN ARBOR - PUBLIC SERVICES - ENGINEERING
SCOPE OF WORK CONSISTS OF 0.25 MI OF NEW SIDEWALK, GRADING DRIVEWAYS, AND RESTORATION ALONG STONE SCHOOL ROAD, GLENDALE CIRCLE, AND FAIR STREET

SCALE
DRAWING No.
AA23002-1

PREPARED UNDER THE SUPERVISION OF

DATE 03 / 04 / 2024

JEREMY SCHROT, P.E.
PROJECT MANAGER

CITY APPROVAL

DATE 03 / 04 / 2024

FRANCISCA D. CHAN, P.E.
PROJECT MANAGER

J:\AA\Design\AA23002 - 2024 Sidewalk Gap Project\Ann Arbor Cods\Plan Production\AA23002_Not.dwg 1 _a2 standard bw.stb 1 Plot Date: 3/6/2024 5:09:13 PM

CONSTRUCTION NOTES:

- 1. Driveways and entrances to buildings, real property, and the like shall not be blocked except for short durations and only when approved by the Engineer. Vehicular and pedestrian access shall be maintained at all times. It shall be the Contractor's responsibility to coordinate all necessary driveway closures with the property owner(s) and resident(s) in the areas of construction.
2. The location and depth of all existing utilities and service leads are to be field verified by the Contractor prior to construction.
3. Location and depth of utilities as depicted on the plans is approximate and shown according to the best information available. It is the Contractor's responsibility to excavate ahead and adjust depth of conflict utilities accordingly. Any damage to utilities is the Contractor's responsibility to avoid and/or repair as necessary.
4. The Contractor is to take special care to protect the existing water main and be responsible for maintaining consistent water service.
5. During non-working hours no trench shall remain open; any open trench shall be properly secured with protective fencing. This work shall be included in the item of work "General Conditions".
6. Trenches for new water services shall be excavated to MIOSHA and City of Ann Arbor Public Works requirements.
7. City of Ann Arbor Public Works will install the corporation and copper service lead(s) to transfer the connection(s). If an existing water service is found to be failing or is not copper, the lead will be replaced to the curb box by Public Works.
8. For the installation of corporations, or any other related activities, the Contractor shall not receive additional compensation for delays due to the scheduling of or coordination with the City of Ann Arbor Public Works.
9. The Contractor shall backfill trenches in accordance with Trench Detail specified on plans. This work shall be included in the item of work "Excavate and Backfill for Water Service Tap and Lead". All concrete removals and replacements required for this work will be paid for separately.
10. All ductile iron pipe and fittings shall be polyethylene wrapped per ANSI/AWWA C105/A21.5.
11. Cor-blu bolts to be used at all mechanical water main joints at hydrants and Megalug fittings
12. The Contractor shall construct, flush, and bacteriologically test the water main per Detailed Specification "Water Main Installation and Testing" and as approved by the Engineer. All chlorinated water shall be discharged directly into an approved sanitary sewer. The Contractor shall supply all necessary hoses, fittings and the like to accomplish this work.
13. Water main fittings, other than those specifically listed as separate pay items, which are required to complete the work, such as blow-off assemblies, concrete thrust blocks, solid sleeves and mechanical plugs, shall not be paid for separately, but shall be included in the pipe pay items.
14. "No Parking" signs shall be installed by the Contractor at locations as approved or directed by the Engineer. All signs shall be installed in accordance with the detailed specifications.
15. Postal delivery and refuse pickup service shall be maintained at all times by the Contractor.
16. All fittings, hydrants, valves and castings removed during construction are the property of the City of Ann Arbor. The Contractor within 48 hours shall deliver to City of Ann Arbor Public Works Facility at the W.R. Wheeler Service Center located at 4251 Stone School Road.
17. Where street curbs are undermined due to construction activities, they shall be removed and replaced as directed by the Engineer.
18. The Contractor shall be responsible for the continuous maintenance of the temporary road surface and soil erosion control measures within the construction area until the full completion of the project. This work shall be included in the item of work "General Conditions".
19. All curb, sidewalk, driveway approach removals shall be approved by Engineer before the work is done.
20. Sawn sewer pipe connections shall be coupled with a Fernco flexible coupling and a stainless steel shear ring.
21. The location of material stock piles and on-site staging areas to be approved by the Engineer.
22. For mainline paving, the width of the mat for each pass of the paver shall be not less than 10.5' or greater than 15', as directed by the Engineer. The Engineer will direct the layout of the longitudinal joints during construction.
23. All structures shall receive new castings as directed by the Engineer, as specified on the standard casting schedule.

The existing castings are the property of the City of Ann Arbor. The Contractor shall deliver to City of Ann Arbor Public Works Facility at the W.R. Wheeler Service Center located at 4251 Stone School Road.

- 24. Payment for drainage structure sumps, where specified, shall be included in the payment for the various drainage structure sizes and or types.
25. Where sewer pipes of different sizes or materials are joined, Fernco flexible couplings with stainless steel shear rings shall be used. The Contractor's purchase price for these devices, including shipping, shall be paid as an extra. Prior to payment for this item, the Contractor shall submit receipts for the Engineer's review and approval. All other costs associated with the installation of these devices shall be included in the payment for the sewer.
26. Where sewer and water main are to be removed & replaced or added, all pipe shall be installed using Trench Detail detailed in the specifications or shown on Plans. Backfill for sewer and water construction shall be MDT Granular Material, Class II, Modified.
27. Existing street name, guide, and regulatory signs, and mailboxes which conflict with the proposed construction shall be removed prior to construction, stored in a manner which will prevent damage, and re-set in locations as directed by the Engineer. This work will not be paid for separately, but shall be included in "Machine Grading, Modified"
28. In areas where edge drain cannot be installed in accordance with City of Ann Arbor Detail SD-TD-11, the edge drain shall be installed at the depth as indicated on the plans, or as directed by Engineer. In no case shall the edge drain be installed at a grade less than 0.50% or at a depth of less than 2' below top of proposed pavement.

GENERAL: NOTIFY THE CITY OF ANN ARBOR SOIL EROSION CONTROL OFFICE 48 HOURS PRIOR TO BEGINNING WORK ON THE PROJECT. PHONE: 734-794-6265.

- 1. THE CONTRACTOR SHALL IMPLEMENT AND MAINTAIN THE SOIL EROSION CONTROL MEASURES AS SHOWN ON THE PLANS AND AS DIRECTED BY THE ENGINEER AT ALL TIMES DURING CONSTRUCTION. ANY MODIFICATIONS OR ADDITIONS TO THE SOIL EROSION CONTROL MEASURES DUE TO CONSTRUCTION OR CHANGED CONDITIONS SHALL BE AS DIRECTED AND APPROVED BY THE ENGINEER.
2. ALL SOIL EROSION AND SEDIMENTATION CONTROL WORK SHALL CONFORM TO THE PERMIT REQUIREMENTS OF THE CITY OF ANN ARBOR, CHAPTER 55 ANN ARBOR UNIFIED DEVELOPMENT CODE, CITY OF ANN ARBOR STANDARDS DIVISION VII, THE LAWS OF THE STATE OF MICHIGAN, AND THE REQUIREMENTS OF THE CONTRACT DOCUMENTS.
3. DAILY OR AFTER ANY STORM EVENT, INSPECTIONS OF EROSION CONTROL MEASURES SHALL BE MADE BY THE CONTRACTOR. PERIODIC INSPECTIONS MAY BE MADE BY THE ENGINEER TO DETERMINE THE EFFECTIVENESS OF EROSION AND SEDIMENTATION CONTROL MEASURES. ANY NECESSARY CORRECTIONS SHALL BE MADE WITHOUT DELAY, AND WITHOUT ADDITIONAL COST TO THE CITY OF ANN ARBOR.
4. EROSION AND SEDIMENTATION FROM WORK ON THE SITE SHALL BE CONTAINED ON THE SITE AND NOT BE ALLOWED TO COLLECT ON ANY OFF-SITE AREAS, ROADWAYS OR WATERWAYS.
5. ALL MUD/SOIL TRACKED ONTO ROADWAYS FROM THE SITE DUE TO CONSTRUCTION, SHALL BE PROMPTLY REMOVED BY THE CONTRACTOR. IF SO ORDERED, THE CONTRACTOR SHALL PROVIDE AND OPERATE A VACUUM-TYPE STREET SWEEPER, AT NO ADDITIONAL COST TO THE CITY OF ANN ARBOR.
6. RESTORATION OF ALL DISTURBED AREAS, INCLUDING PLACEMENT OF TOPSOIL, SEED, FERTILIZER AND MULCH AND/OR SOD SHALL BE PERFORMED WITHIN FIVE (5) DAYS OF THE COMPLETION OF FINAL GRADE.
7. CONSTRUCTION OPERATIONS SHALL BE SCHEDULED AND PERFORMED SO THAT PREVENTATIVE SOIL EROSION CONTROL MEASURES ARE IN PLACE PRIOR TO EXCAVATION IN CRITICAL AREAS AND TEMPORARY STABILIZATION MEASURES ARE IN PLACE IMMEDIATELY FOLLOWING BACKFILLING OPERATIONS.
8. SPECIAL PRECAUTIONS WILL BE TAKEN IN THE USE OF CONSTRUCTION EQUIPMENT TO PREVENT SITUATIONS THAT PROMOTE EROSION.
9. PROPER DUST CONTROL SHALL BE MAINTAINED DURING CONSTRUCTION BY USE OF WATER TRUCKS AND/OR DUST PALLIATIVE AS REQUIRED.
10. THE CONTRACTOR SHALL BE RESPONSIBLE FOR MAINTAINING ALL TEMPORARY SOIL EROSION CONTROL MEASURES AND REMOVAL OF SOME MEASURES UPON AUTHORIZED COMPLETION OF THE PROJECT. FINAL COMPLETION OF PROJECT WILL NOT BE AUTHORIZED UNTIL ALL SITE WORK AND UTILITY CONSTRUCTION IS COMPLETE AND ALL SOILS ARE STABILIZED.
11. THE CONTRACTOR SHALL NOT GRADE INTO ADJACENT PROPERTIES. SILT AND PROTECTIVE FENCE SHALL BE INSTALLED AND MAINTAINED TO PREVENT GRADING, EROSION AND SEDIMENTATION INTO THE ADJACENT PROPERTIES.
12. TREE PROTECTION FENCING MUST REMAIN INTACT UNTIL RESTORATION OF THE SITE IS COMPLETE.

SEQUENCE OF EROSION CONTROL MEASURES:

- 1. THE CONTRACTOR IS TO SUBMIT TO THE ENGINEER, A SEQUENCE OF CONSTRUCTION WITH RESPECT TO THE SOIL EROSION CONTROL MEASURES FOR REVIEW, COMMENT AND APPROVAL. THIS SCHEDULE IS TO INCLUDE INSPECTION AND REPAIR OF ALL TEMPORARY EROSION CONTROL MEASURES DAILY AND WITHIN 24 HOURS OF A STORM EVENT.

SAMPLE SOIL EROSION AND SEDIMENTATION CONTROL INSTALLATION MINIMUM REQUIREMENTS:

- 1.1. INSTALL SILT FENCE, TREE PROTECTION FENCING, MUD MATS, INLET FILTERS ON EXISTING DRAINAGE FEATURES, AND ALL OTHER TEMPORARY SOIL EROSION CONTROLS, PRIOR TO ANY CLEARING OR EARTH MOVING OPERATION.
1.2. STRIP AND STOCKPILE TOPSOIL. STABILIZE STOCKPILE AS REQUIRED.
1.3. INSTALL WATER MAINS, STORM AND SANITARY SEWERS, AND OTHER ENCLOSED DRAINAGE FEATURES. NEW INLET FILTERS SHALL BE INSTALLED IMMEDIATELY FOLLOWING INSTALLATION OF NEW DRAINAGE INLETS.
1.4. PERFORM MACHINE GRADING OPERATIONS AND CONSTRUCT PAVEMENTS (MAINLINE, SIDEWALKS, DRIVES, ETC.).
1.5. CONTINUALLY MAINTAIN EROSION AND SEDIMENTATION CONTROL MEASURES, AS REQUIRED TO ALLOW DRAINAGE AND SEDIMENT REMOVAL. REMOVE ANY ACCUMULATED SEDIMENT IMMEDIATELY.
1.6. COMPLETE ALL FINE GRADING.
1.7. TEMPORARY SEED AND INSTALL EROSION CONTROL BLANKET IN ALL DISTURBED AREAS.
1.8. REFER TO LANDSCAPE PLANTING PLANS FOR PERMANENT SITE STABILIZATION.
1.9. CLEAN OUT STORM SEWER SYSTEMS.
1.10. REMEDY ANY NOTED DEFECTS TO THE SATISFACTION OF THE CITY OF ANN ARBOR'S SOIL EROSION AND SEDIMENTATION CONTROL OFFICIAL.
1.11. ALL TEMP. SOIL EROSION CONTROL MEASURES MUST BE REMOVED, WITH ENGINEERS APPROVAL, PRIOR TO FINAL INSPECTION

NOTE: THIS SEQUENCE IS FOR INFORMATION ONLY. IT IS INTENDED TO SHOW THE SEQUENCE OF CONSTRUCTION WITH RESPECT TO THE SOIL EROSION AND SEDIMENTATION CONTROL MEASURES. THE CONTRACTOR IS RESPONSIBLE FOR SUBMITTING THEIR OWN DETAILED CONSTRUCTION SEQUENCE AND SCHEDULE TO THE ENGINEER FOR REVIEW, COMMENT, AND APPROVAL.

TEMPORARY SEEDING:

- 1. SEED IN ACCORDANCE WITH PROJECT DRAWINGS AND SPECIFICATIONS.
2. ANY DISTURBED AREA NOT PAVED, SEEDED, MULCHED, SODDED OR BUILT UPON BY NOVEMBER 15TH OR JUNE 30TH IS TO BE TEMPORARILY STABILIZED PER SPECIFICATIONS.

THE ESTIMATED COST OF SOIL EROSION AND SEDIMENTATION CONTROL MEASURES, TOPSOIL, SEEDING, AND MULCH = \$xxx,xxx

ESTIMATE OF EXCAVATION AND FILL FROM EXISTING TO FINAL GRADE:
EXCAVATION = 6240 CY, FILL = 6799 CY

ON SITE SOILS PER THE USDA SOIL SURVEY OF WASHTENAW COUNTY, MICHIGAN:

- Sb - SEBEWA LOAM - IN DEPRESSION AREAS, BROAD LOW-LYING AREA, AND DRAINAGEWAYS OF OUTWASH PLAINS, VALLEY TRAINS, AND TERRACES. SLOPE IS 0% TO 2%.
FoB - FOX SANDY LOAM - IN UPLAND AREAS AND ON OUT WASH PLAINS, KAMES, VALLEY TRAINS, TERRACES, AND MORAINES. SLOPES ARE UNIFORM OR SHORT AND COMPLEX.
Mda - MATHERTON SANDY LOAM - IN DEPRESSION AREAS, BROAD LOW-LYING AREAS, AND ALONG DRAINAGEWAYS, OUTWASH PLAINS, VALLEY TRAINS, AND TERRACES. NEARLY LEVEL TO GENTLY SLOPING.
Mfa - METAMORA SANDY LOAM - IN DEPRESSION AREAS, BROAD, LOW-LYING AREAS, AND ALONG DRAINAGEWAYS OF TILL PLAINS AND MORAINES.
Ndb - NAPPANEE SILTY CLAY LOAM - ON FOOT SLOPES AND ALONG DRAINAGEWAYS OF TILL PLAINS, MORAINES, AND LAKE PLAINS. NEARLY LEVEL TO GENTLY SLOPING.

Table with columns: #, TYPE, RIM, SIZE, MTRL, INVERT, DIRECTION, CONNECT. Contains structural data for various basins, manholes, and wires.

PERMITS REQUIRED TO BE OBTAINED BY THE CONTRACTOR PRIOR TO THE BEGINNING OF CONSTRUCTION.

Table with columns: PERMIT, ISSUING AUTHORITY. Lists permits like Lane Closure, No Parking, Grading/Soil Erosion & Sedimentation, and Right-of-Way, all issued by City of Ann Arbor Engineering or Customer Service.

* NO COST TO CONTRACTOR

CONTACT INFORMATION

Table with columns: PUBLIC UTILITIES, OWNER, CONTACT. Lists contacts for Water, Sanitary, Storm, Forestry, Private Utilities, Gas, Electric, Cable, Phone, Fiber Optic, and Street Lighting.

STONE SCHOOL BENCHMARKS

Table with columns: BM, ELEV, COORD, DESCRIPTION. Lists benchmarks 100, 101, and 102 with their coordinates and descriptions.

GLENDALE & FAIR BENCHMARKS

Table with columns: BM, ELEV, COORD, DESCRIPTION. Lists benchmarks 120 and 121 with their coordinates and descriptions.

MISCELLANEOUS PROJECT WIDE QUANTITIES

Table with columns: Item, Quantity, Unit. Lists quantities for Sidewalk, Subgrade Undercutting, Earth Excavation, Aggregate Surface Course, Conc, Sidewalk, Drive Approach, or Ramp.

Table showing IMPERVIOUS PROJECT AREA with columns for PRIOR TO CONSTRUCTION and POST CONSTRUCTION in acres.

AREA OF PROPOSED DISTURBANCE = 0.45 ACRES

Vertical sidebar containing logos for City of Ann Arbor, 811, and Michigan. Includes project title '2024 SIDEWALK GAP PROJECT', drawing number 'AA23002-2', and sheet number '2 OF 14'.

EXISTING LEGEND

EX = EXISTING		
⊕ FIRE HYDRANT		WATER MAIN
I GATE VALVE IN BOX		WATER MAIN ABANDONED
⊗ GATE VALVE IN WELL		STORM SEWER
⊙ STOP BOX		STORM SEWER ABANDONED
⊠ WATER VAULT		SANITARY SEWER
⊙ WELL		SANITARY SEWER ABANDONED
□ CATCH BASIN (SQ)		GAS MAIN
⊙ CATCH BASIN (RD)		GAS MAIN (DEAD)
○ STORM MANHOLE		ELECTRICAL OVER HEAD
□ NON-CURB CATCH BASIN (SQ)		ELECTRICAL UNDER GROUND
) END SECTION		ELECTRICAL DUCT BANK
○ SANITARY MANHOLE		TELEPHONE OVER HEAD
○ CLEAN-OUT		TELEPHONE UNDER GROUND
• POST		TELEPHONE DUCT BANK
⊕ PEDESTRIAN SIGNAL		CABLE TV OVER HEAD
⊕ SIGN		CABLE TV UNDER GROUND
□ HAND HOLE		FIBER OPTIC
⊕ ORNAMENTAL LIGHT		FIBER OPTIC DUCT BANK
⊕ FLOOD LIGHT		
⊙ UNKNOWN MANHOLE		
⊙ TELEPHONE MANHOLE		
⊠ TELEPHONE RISER		
⊙ GAS VALVE		
○ GAS VENT		
⊠ GAS BOX		
⊠ ELECTRICAL RISER		
⊠ TRANSFORMER		
○ UTILITY POLE		
○ LAMP POLE		
▽ GUY ANCHOR		
○ GUY POLE		
⊙ MONITORING WELL		
⊠ MAILBOX		
⊙ SOIL BORING		
△ TRAVERSE POINT		
⊕ BENCH MARK		
○ IRON PIPE		
⊠ MON BOX		

	TREE (DECIDUOUS)
	TREE (CONIFEROUS)
	SHRUB (DECIDUOUS)
	STUMP
	TREE TO REMAIN & PROTECT (DECIDUOUS) CRITICAL ROOT ZONE (C.R.Z.) = DIAMETER BREST HEIGHT (INCHES) X 10
	TREE TO REMAIN & PROTECT (CONIFEROUS) CRITICAL ROOT ZONE (C.R.Z.) = DIAMETER BREST HEIGHT (INCHES) X 10

PROPOSED LEGEND

PROP = PROPOSED		
⊕ HYDRANT (PLAN)		WATER MAIN
⊗ WATER GATE WELL		STORM SEWER
▼ REDUCER		SANITARY SEWER
⊕ WATER GATE VALVE		FIBER OPTIC
⊙ WATER STOP BOX		ELECTRICAL
⊠ WATER VAULT		CENTERLINE OF DITCH
⊙ INLET		CENTERLINE OF ROAD
⊕ DOUBLE INLET		FENCE
⊕ INLET JUNCTION CHAMBER		GRAVEL
⊙ ROUND CATCH BASIN		SILT FENCE
⊙ STORM MANHOLE		PROTECTIVE FENCE
▼ DRAIN ARROW		GUARDRAIL
⊠ FLARED END SECTION		LOT/JUNIT
⊙ SANITARY MANHOLE		CURB
○ CLEAN-OUT		TEMPORARY GRADING PERMIT
● BARREL		CONTOUR MAJOR
▼ SIGN		CONTOUR MINOR
○ PUSH BUTTON		WATER EASEMENT
⊠ HAND HOLE		STORM EASEMENT
		SANITARY EASEMENT
		R.O.W.
		LIMITS OF CONSTRUCTION
		LIMIT OF GRADING
		STONE WALL
		DETECTABLE WARNING
		ASPHALT
		CONCRETE
		SIDEWALK
		TREE (DECIDUOUS)
		TREE (CONIFEROUS)
		TREE TO BE REMOVED (DECIDUOUS)
		TREE TO BE REMOVED (CONIFEROUS)
		STUMP TO BE REMOVED

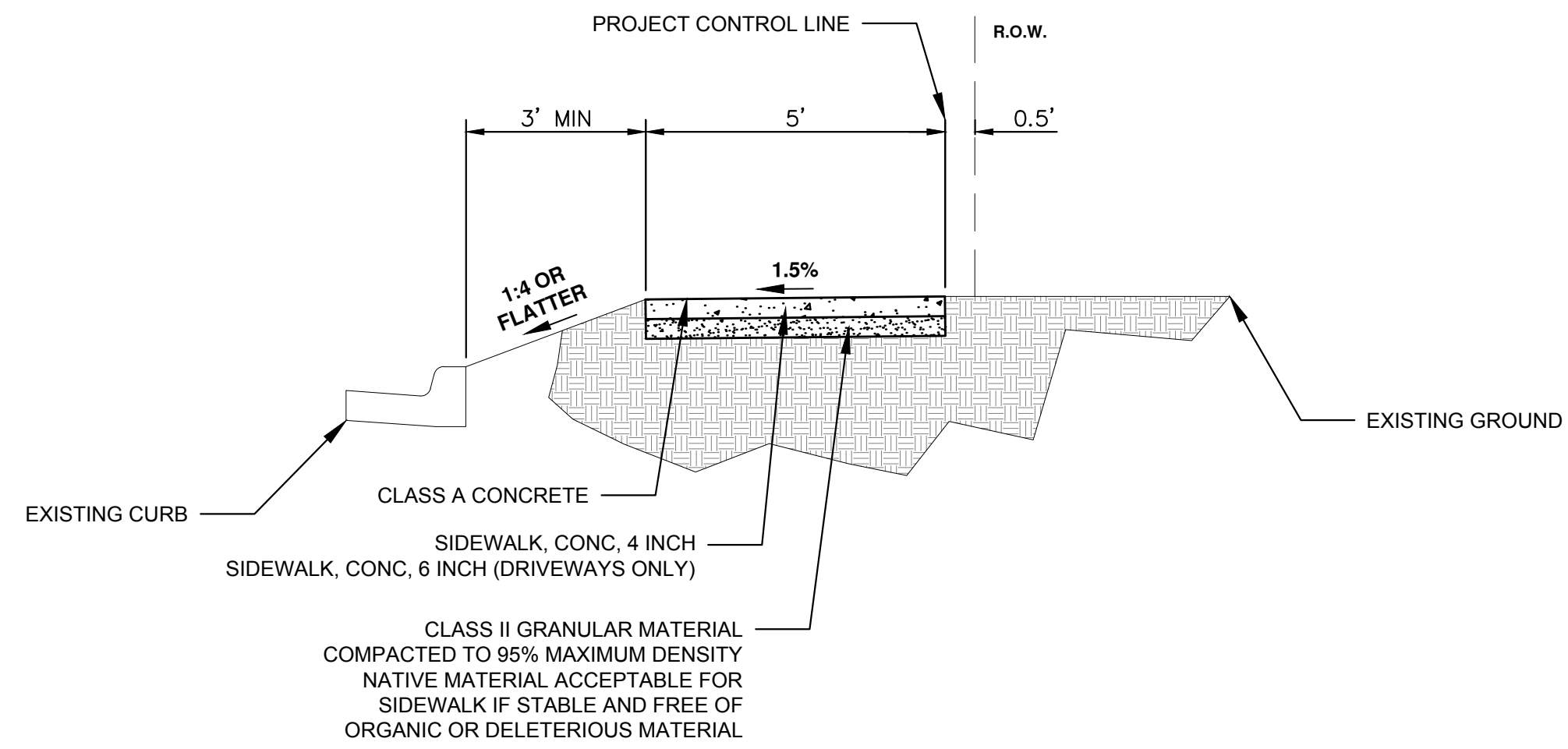


REV.	DATE	DRAWN	CHECKED
4	03/04/2024	AJC	ST
3	02/15/2024	AJC	ST
2	01/22/2024	AJC	ST
1	08/03/2023	AJC	ST

CITY OF ANN ARBOR
PUBLIC SERVICES
301 EAST HURON STREET
ANN ARBOR, MI 48106-8647
www.aagov.org

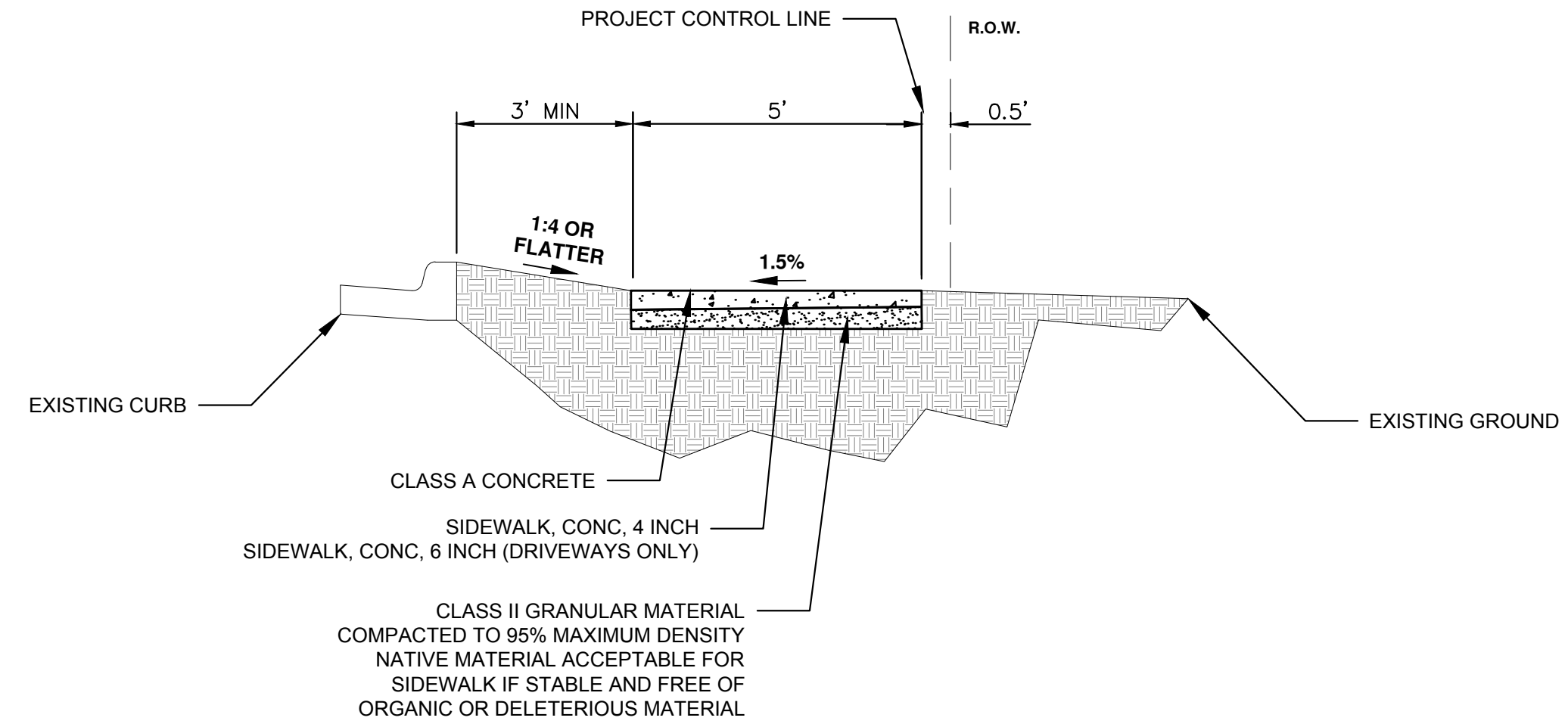
CITY OF ANN ARBOR - PUBLIC SERVICES - ENGINEERING
2024 SIDEWALK GAP PROJECT
STONE SCHOOL ROAD
LEGEND

J:\AA\Design\AA23002 - 2024 Sidewalk Gap Project\Ann Arbor Cads\Plan Production\AA23002TYP.dwg Dwg Created: 6-Feb-24 - _o2 standard bw.stb - Plot Date: 6-Mar-24



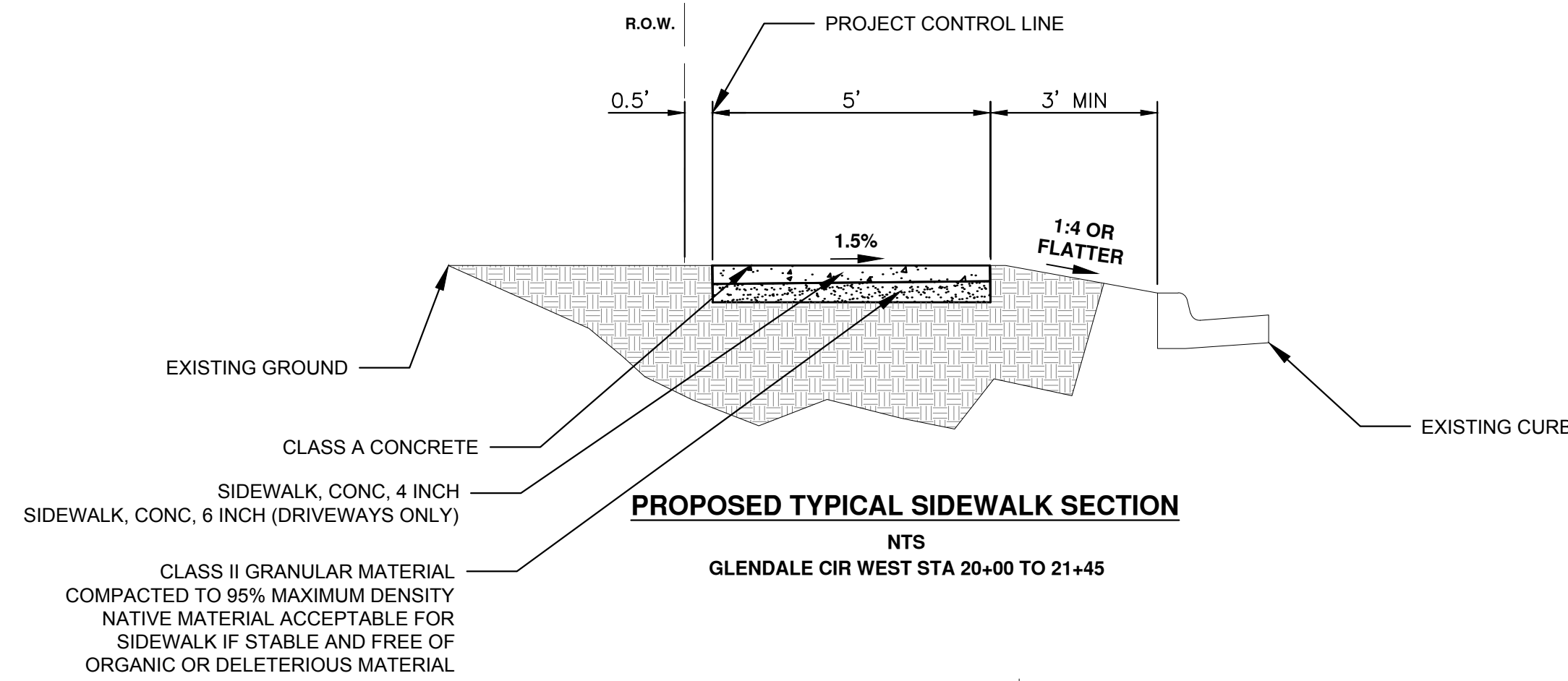
PROPOSED TYPICAL SIDEWALK SECTION

NTS
 STONE SCHOOL RD STA 11+25 TO 13+39 AND 14+46 TO 17+58
 GLENDALE CIR EAST STA 21+45 TO 22+99
 GLENDALE CIR STA 30+00 TO 30+35
 FAIR ST STA 40+50 TO 41+25



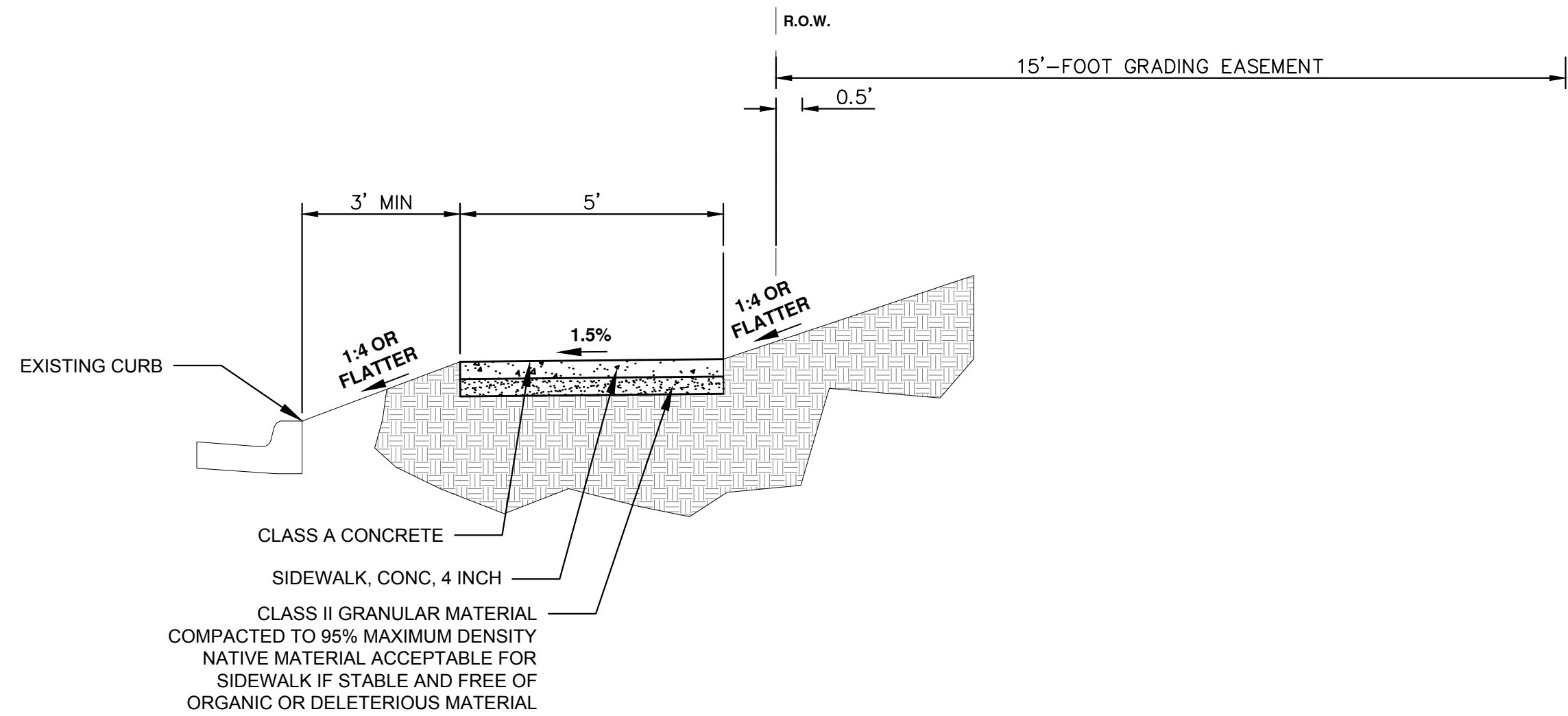
PROPOSED TYPICAL SIDEWALK SECTION

NTS
 STONE SCHOOL RD - STA 10+00 (P.O.B.) TO STA 11+25 AND STA 17+58 TO 19+43 (P.O.E.)



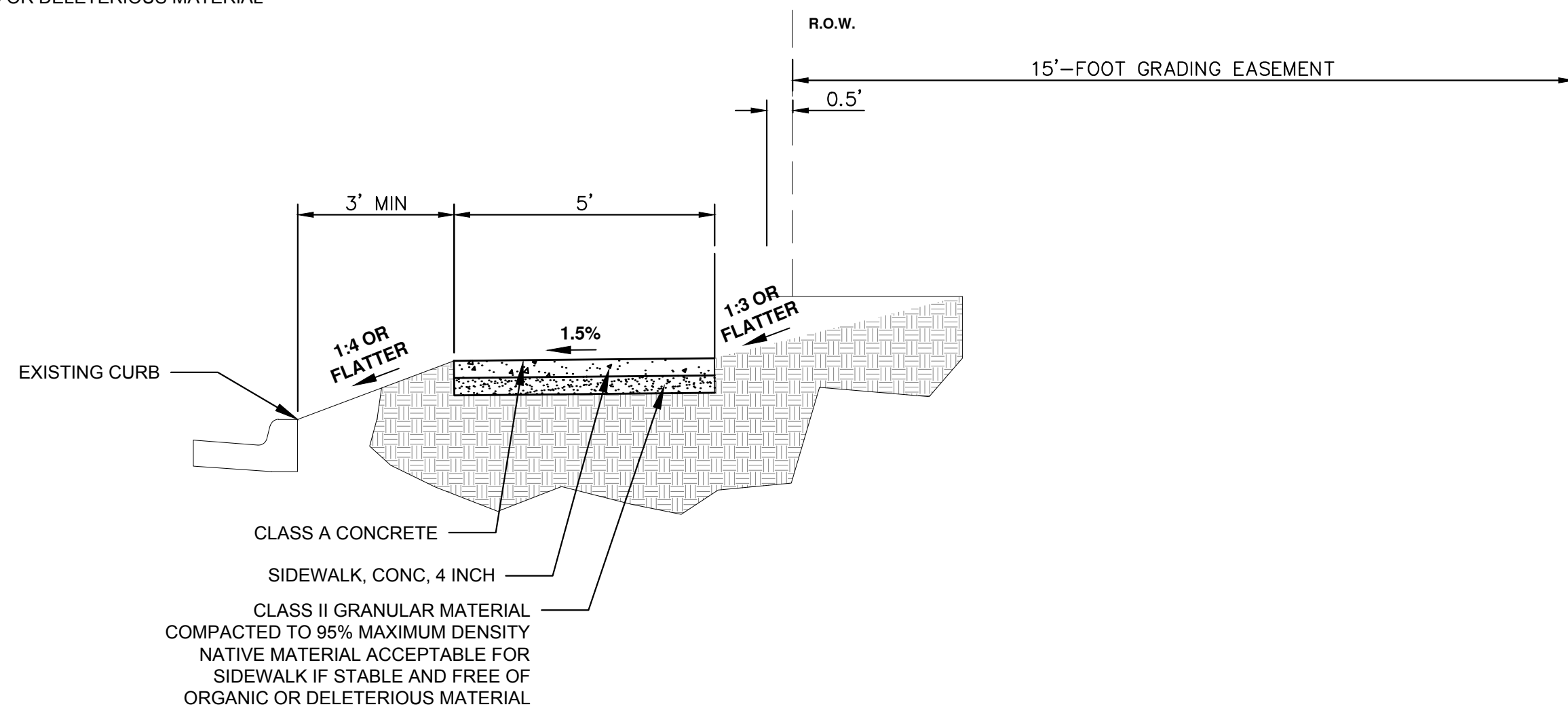
PROPOSED TYPICAL SIDEWALK SECTION

NTS
 GLENDALE CIR WEST STA 20+00 TO 21+45



PROPOSED TYPICAL SIDEWALK SECTION

NTS
 STONE SCHOOL RD STA 13+39 TO 14+40



PROPOSED TYPICAL SIDEWALK SECTION

NTS
 STONE SCHOOL RD STA 14+40 TO 14+46



4	BID PLANS	03/04/2024	AJC	ST	CHECKED
3	90% PLAN REVIEW	02/15/2024	AJC	ST	DRAWN
2	70% PLAN REVIEW	01/22/2024	AJC	ST	DRAWN
1	BASE PLAN REVIEW	08/03/2023	AJC	ST	CHECKED
REV.	DESCRIPTION	DATE			

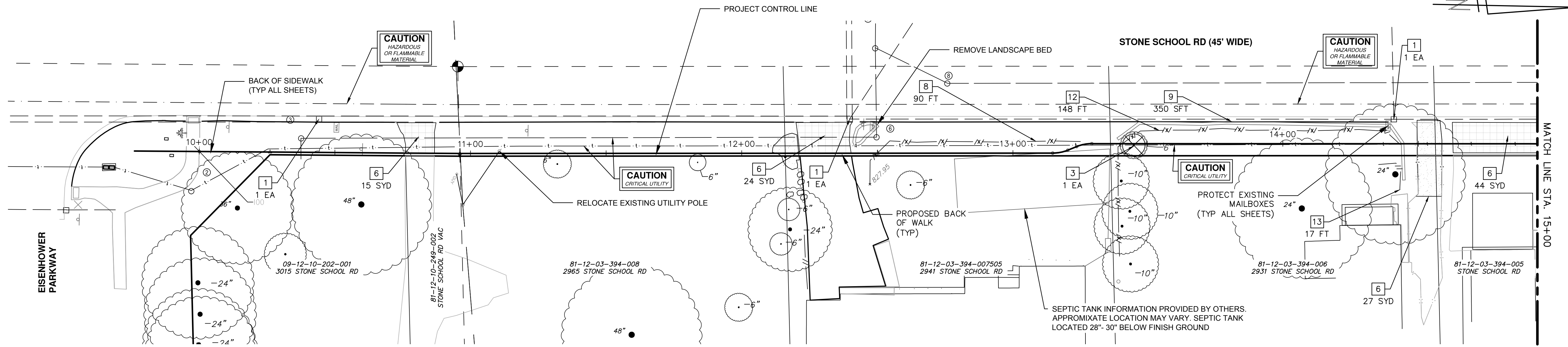
CITY OF ANN ARBOR
 PUBLIC SERVICES
 301 EAST HURON STREET
 ANN ARBOR, MI 48106-8647
 www.aagov.org



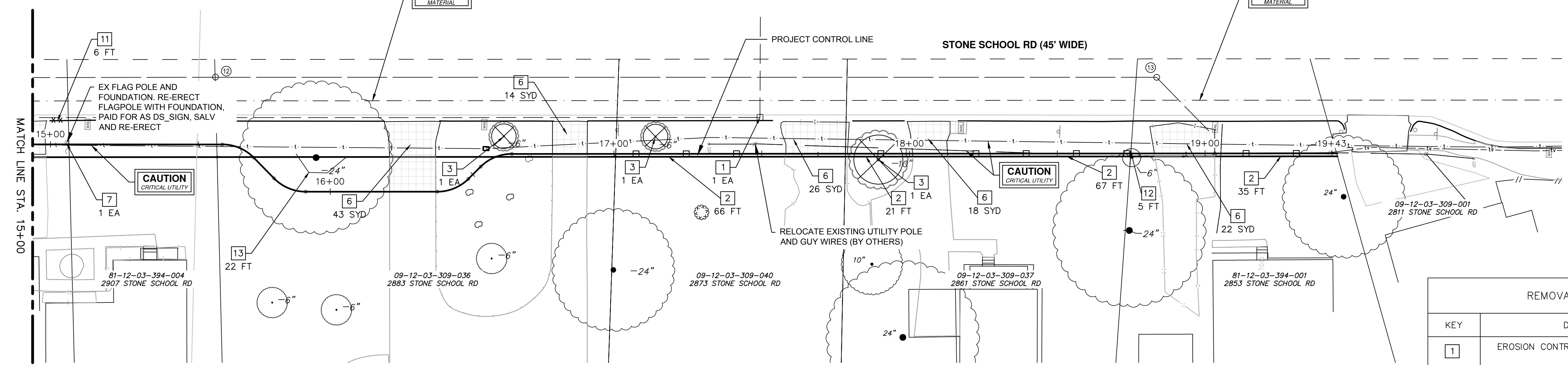
CITY OF ANN ARBOR - PUBLIC SERVICES - ENGINEERING
2024 SIDEWALK GAP PROJECT
 STONE SCHOOL ROAD
 TYPICAL SECTIONS

SCALE PLAN: NTS
 DRAWING No. AA23002-4

J:\AA\Design\AA23002 - 2024 Sidewalk Gap Project\Ann Arbor\Cads\Plan Production\AA23002_Rem1.dwg Dwg Created: 4-Mar-24 - a2 standard bw.stb - Plot Date: 6-Mar-24



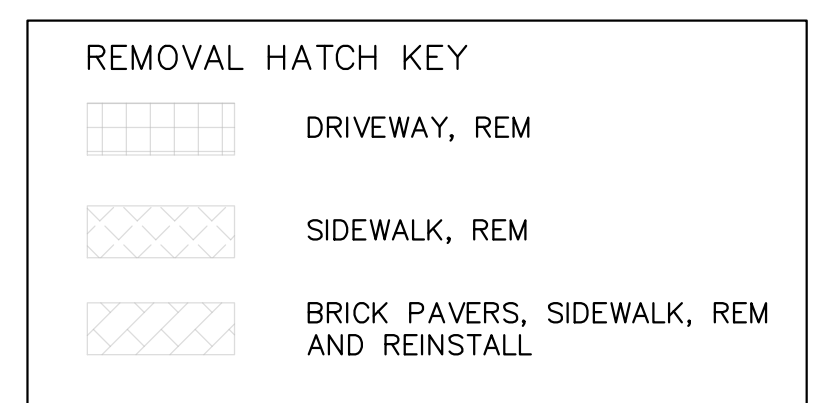
**REMOVAL PLAN - STONE SCHOOL RD
STA 10+00 TO 15+00**



**REMOVAL PLAN - STONE SCHOOL RD
STA 15+00 TO 19+41**

QUANTITIES - THIS SHEET

Item	Quantity	Unit
Tree Protection Fence	39	Ft
Erosion Control, Inlet Protection, Fabric Drop	4	Ea
Erosion Control, Silt Fence	189	Ft
Tree, Rem, 6 in. - 12 in.	4	Ea
Fence, Rem	153	Ft
Fence, Salvage and Re-Erect	90	Ft
Curb, Gutter, and Curb and Gutter, Any Type, Rem	6	Ft
Sidewalk, Sidewalk Ramp, and Driveway Approach, Any Thickness, Rem	217	Syd
DS_Timber Wall, Rem	350	Sft
DS_Sign, Salv and Re-Erect	1	Sft



REMOVAL KEY

KEY	DESCRIPTION
1	EROSION CONTROL, INLET FILTER, FABRIC DROP
2	EROSION CONTROL, SILT FENCE
3	TREE, REM, 6 IN. - 12 IN.
4	TREE, REM, 13 IN. - 19 IN.
5	TREE, REM, 20 IN. - 29 IN.
6	SIDEWALK, SIDEWALK RAMP, AND DRIVEWAY APPROACH, ANY THICKNESS, REM
7	DS_SIGN, SALV AND RE-ERECT
8	FENCE, SALVAGE AND RE-ERECT
9	DS_TIMBER WALL, REM
10	BRICK PAVERS, SIDEWALK, REM AND REINSTALL
11	CURB, GUTTER, AND CURB AND GUTTER, ANY TYPE, REM
12	FENCE, REM
13	TREE PROTECTION FENCE

*SAWCUT FULL DEPTH AT REMOVAL LIMITS

CITY OF ANN ARBOR - PUBLIC SERVICES - ENGINEERING

2024 SIDEWALK GAP PROJECT

STONE SCHOOL ROAD

REMOVAL PLAN - STONE SCHOOL ROAD

SCALE: 1" = 20'

DRAWING No. AA23002-5

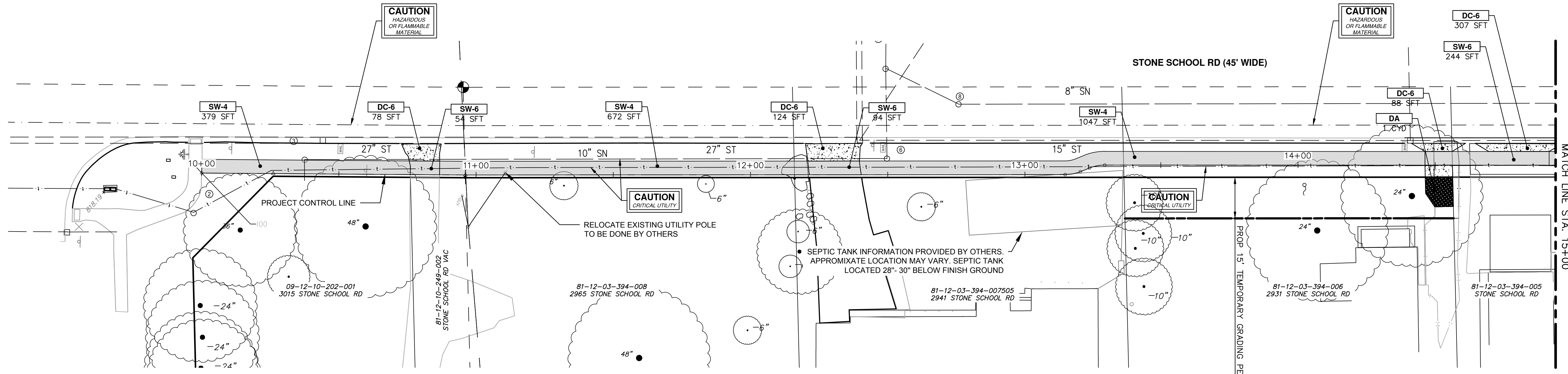
SHEET No. 5 OF 14

811
Know what's below. Call before you dig.

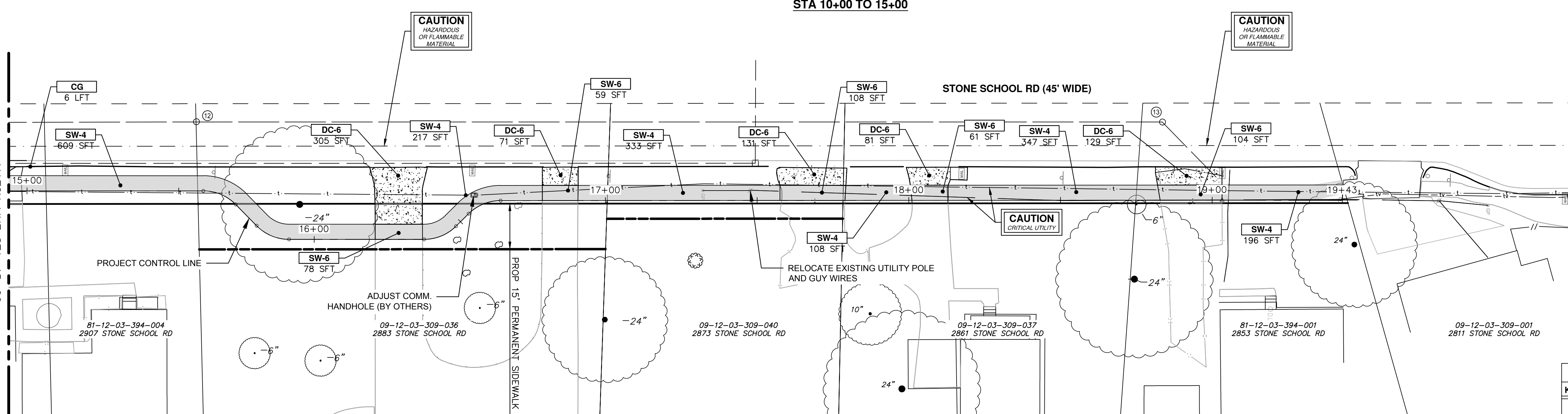
REV.	DESCRIPTION	DATE	DRAWN	CHECKED
4	BID PLANS	03/04/2024	AJC	AJC
3	90% PLAN REVIEW	02/15/2024	AJC	AJC
2	70% PLAN REVIEW	01/22/2024	AJC	AJC
1	BASE PLAN REVIEW	08/03/2023	AJC	AJC

CITY OF ANN ARBOR
PUBLIC SERVICES
301 EAST HURON STREET
P.O. BOX 8647
ANN ARBOR MI 48107-8647
www.a2gov.org

J:\AA Design\AA23002 - 2024 Sidewalk Gap Project\Ann Arbor\Cadd\Plan Production\AA23002_PP\wkl.dwg Dwg Created: 4-Mar-24 - _a2 standard bw.stb - Plot Date: 6-Mar-24



**SIDEWALK PLAN - STONE SCHOOL RD
STA 10+00 TO 15+00**



**SIDEWALK PLAN - STONE SCHOOL RD
STA 15+00 TO 19+41**

CONSTRUCTION KEY	
KEY	DESCRIPTION
DC-6	PLACE CONC, DRIVE APPROACH, NON-REINFORCED, P-NC, 6 INCH. PLACE AND COMPACT 6 INCH SUBBASE, CIP, CLASS II GRANULAR MATERIAL, MODIFIED.
SW-6	PLACE CONC, SIDEWALK, 6 IN.
SW-4	PLACE CONC, SIDEWALK, 4 IN.
CG	PLACE CURB & GUTTER, CONC
DA	PLACE CURB & GUTTER, CONC

QUANTITIES - THIS SHEET		
Item	Quantity	Unit
Machine Grading, Sidewalk, Modified	10	Sta
Subgrade Undercutting, Type II	5	Cyd
Earth Excavation	50	Cyd
Subbase, CIP	40	Cyd
Aggregate Surface Course, 23A, CIP	1	Cyd
Conc, Sidewalk, 4 In.	3905	Sft
Conc, Sidewalk, Drive Approach, or Ramp, 6 In.	802	Sft
Conc, Sidewalk, Drive Approach, or Ramp, 6 in., High Early	1314	Sft
Conc, Curb or Curb & Gutter, All Types	6	Lft
Turf Restoration	1100	Sqd

CITY OF ANN ARBOR - PUBLIC SERVICES - ENGINEERING

2024 SIDEWALK GAP PROJECT

STONE SCHOOL ROAD

SIDEWALK LAYOUT PLAN - STONE SCHOOL ROAD

SCALE PLAN: 1" = 20'

DRAWING No. AA23002-6

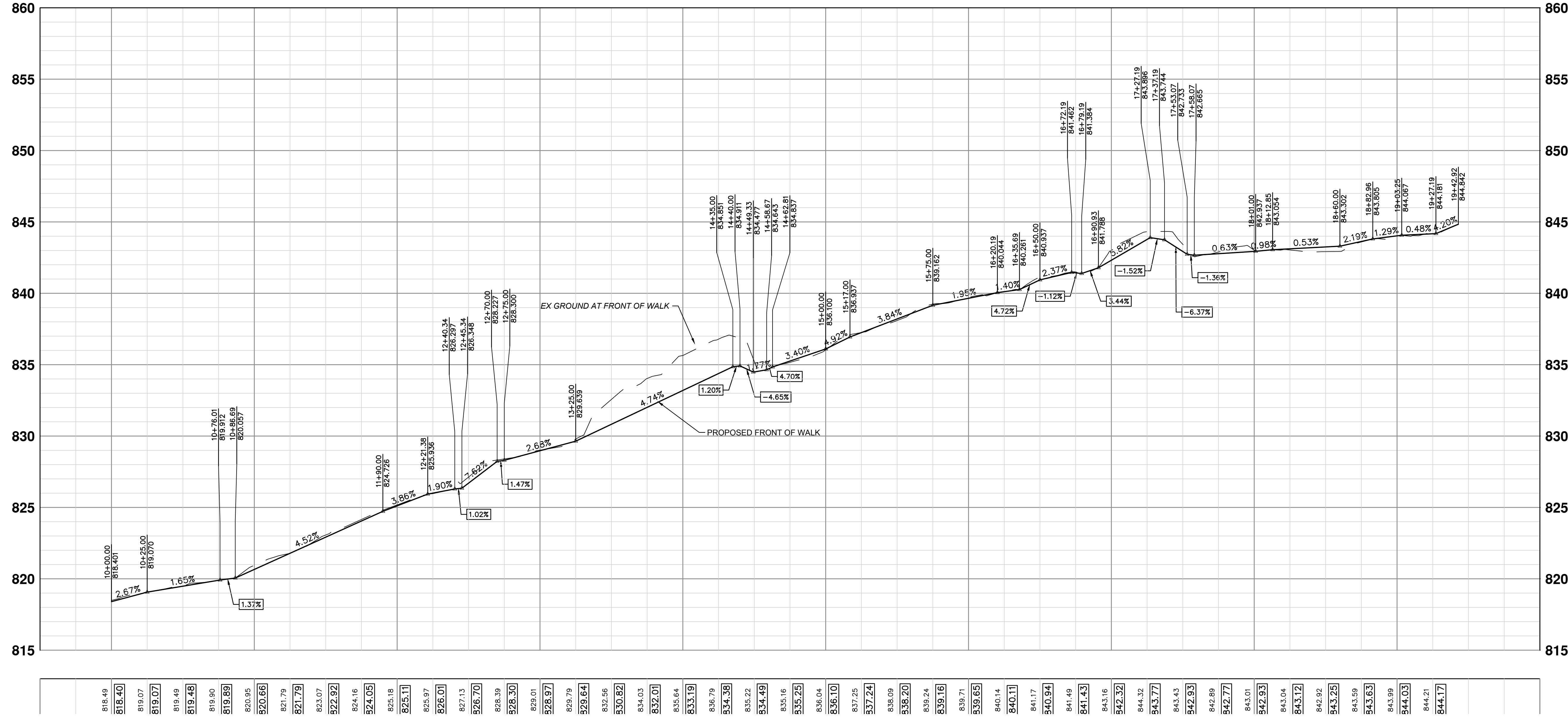
SHEET No. 6 OF 14

811
Know what's below. Call before you dig.

REV.	DESCRIPTION	DATE	DRAWN	CHECKED
4	BID PLANS	03/04/2024	AJC	ST
3	90% PLAN REVIEW	02/15/2024	AJC	ST
2	70% PLAN REVIEW	01/22/2024	AJC	ST
1	BASE PLAN REVIEW	08/03/2023	AJC	ST

CITY OF ANN ARBOR
PUBLIC SERVICES
301 EAST HURON STREET
P.O. BOX 8647
ANN ARBOR MI 48107-8647
www.a2gov.org

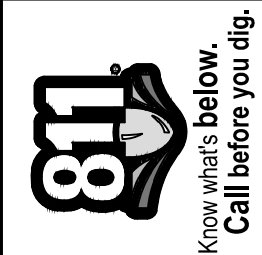
CITY OF ANN ARBOR MICHIGAN



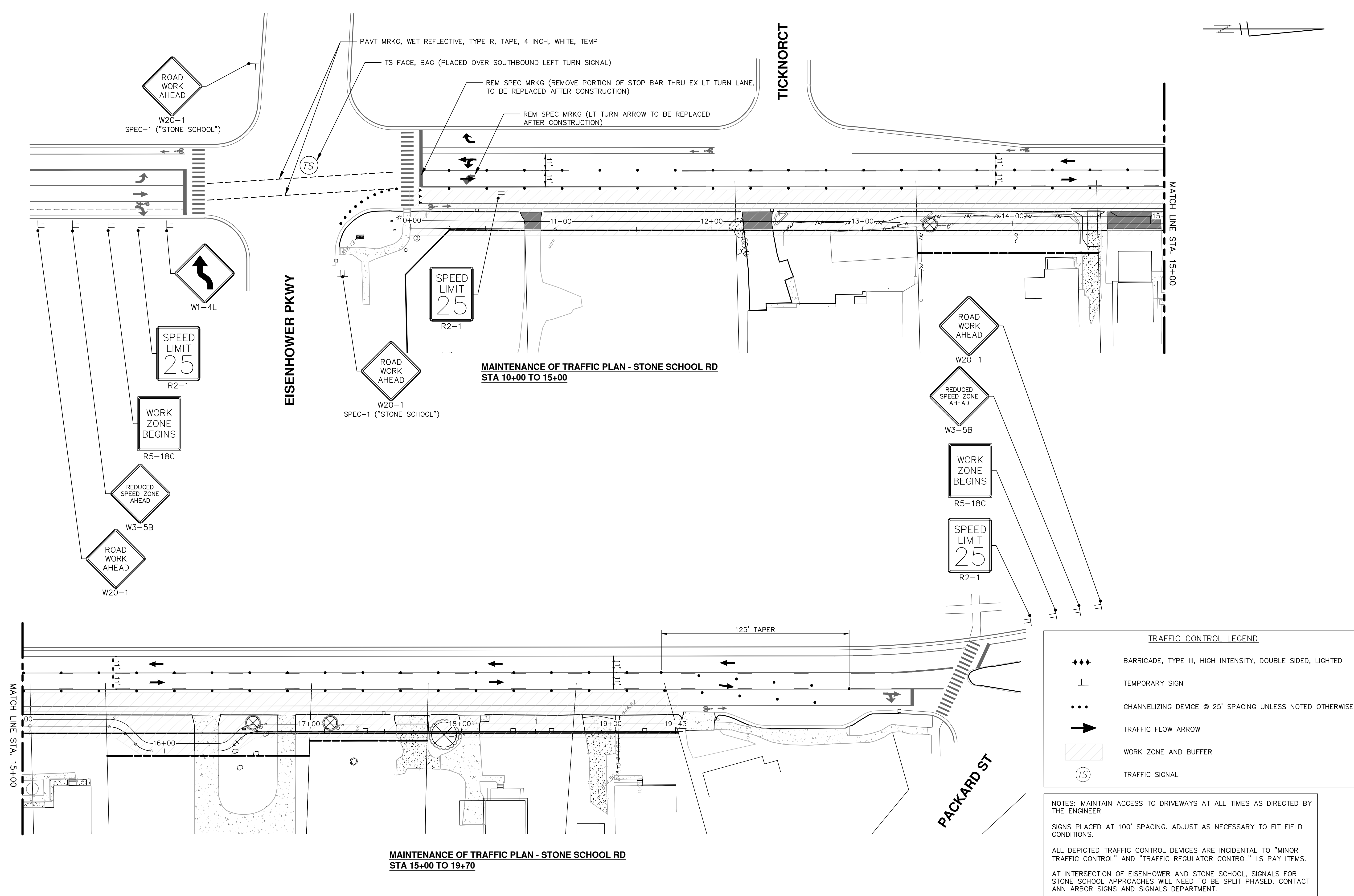
818.49
818.40
819.07
819.07
819.49
819.48
819.90
819.89
820.95
820.66
821.79
821.79
823.07
822.92
824.16
824.05
825.18
825.11
825.97
826.01
827.13
826.70
828.39
828.30
829.01
828.97
829.79
829.64
832.56
830.82
834.03
832.01
835.64
833.19
836.79
834.38
835.22
834.49
835.16
835.25
836.04
836.10
837.25
837.24
838.09
838.20
839.24
839.16
839.71
839.65
840.14
840.11
841.17
840.94
841.49
841.43
843.16
842.32
844.32
843.77
843.43
842.93
842.89
842.77
843.01
842.93
843.04
843.12
842.92
843.25
843.59
843.63
843.99
844.03
844.21
844.17



REV.	DESCRIPTION	DATE	DRAWN	CHECKED
4	BID PLANS	03/04/2024	AJC	ST
3	90% PLAN REVIEW	02/15/2024	AJC	ST
2	70% PLAN REVIEW	01/22/2024	AJC	ST
1	BASE PLAN REVIEW	08/03/2023	AJC	ST



J:\AA\Design\AA23002 - 2024 Sidewalk Gap Project\Ann Arbor Cods\Plan Production\AA23002_Mtrf_Stone School.dwg Dwg Created: 21-Feb-24 - _a2 standard bw.stb - Plot Date: 6-Mar-24



TRAFFIC CONTROL LEGEND

◆◆◆	BARRICADE, TYPE III, HIGH INTENSITY, DOUBLE SIDED, LIGHTED
⊥	TEMPORARY SIGN
●●●	CHANNELIZING DEVICE @ 25' SPACING UNLESS NOTED OTHERWISE
➔	TRAFFIC FLOW ARROW
▨	WORK ZONE AND BUFFER
Ⓣ	TRAFFIC SIGNAL

NOTES: MAINTAIN ACCESS TO DRIVEWAYS AT ALL TIMES AS DIRECTED BY THE ENGINEER.

SIGNS PLACED AT 100' SPACING. ADJUST AS NECESSARY TO FIT FIELD CONDITIONS.

ALL DEPICTED TRAFFIC CONTROL DEVICES ARE INCIDENTAL TO "MINOR TRAFFIC CONTROL" AND "TRAFFIC REGULATOR CONTROL" LS PAY ITEMS.

AT INTERSECTION OF EISENHOWER AND STONE SCHOOL, SIGNALS FOR STONE SCHOOL APPROACHES WILL NEED TO BE SPLIT PHASED. CONTACT ANN ARBOR SIGNS AND SIGNALS DEPARTMENT.

CITY OF ANN ARBOR - PUBLIC SERVICES - ENGINEERING

2024 SIDEWALK GAP PROJECT


STONE SCHOOL ROAD

MAINTENANCE OF TRAFFIC - STONE SCHOOL ROAD

SCALE 1" = 30'

DRAWING No. AA23002-8

SHEET No. 8 OF 14

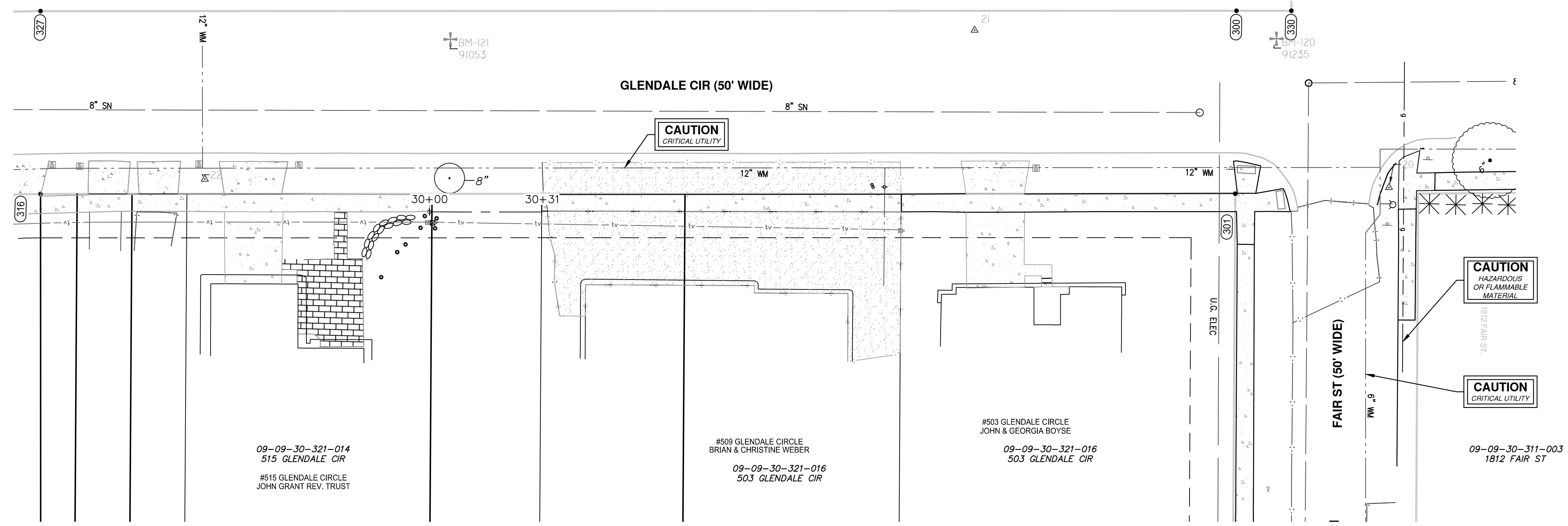


CITY OF ANN ARBOR
PUBLIC SERVICES
301 EAST HURON STREET
ANN ARBOR, MI 48106-1667
www.a2gov.org

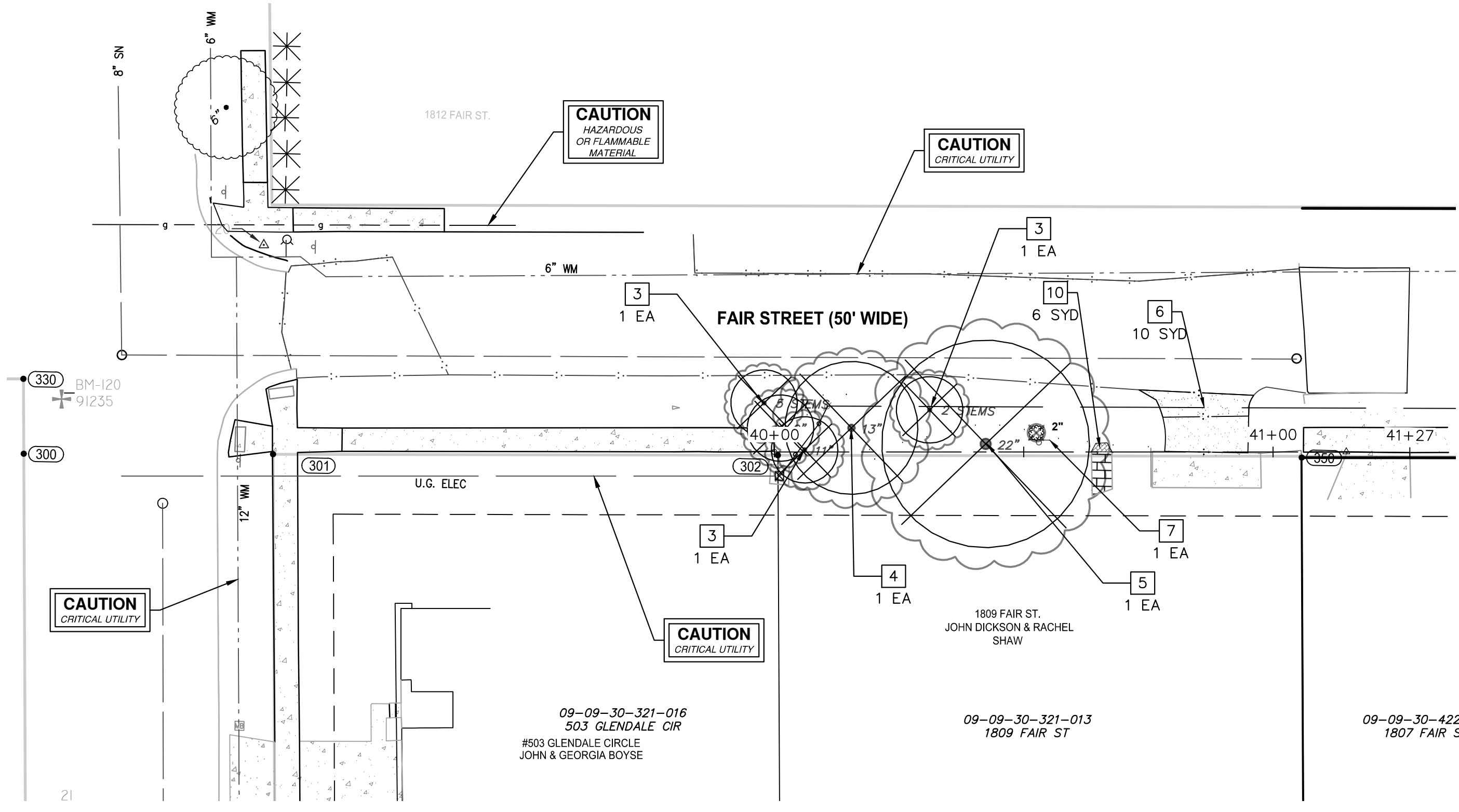
REV.	DESCRIPTION	DATE	DRAWN	CHECKED
4	BID PLANS	03/04/2024	AJC	ST
3	90% PLAN REVIEW	02/15/2024	AJC	ST
2	70% PLAN REVIEW	01/22/2024	AJC	ST
1	BASE PLAN REVIEW	08/03/2023	AJC	ST

Know what's below.
Call Before you dig.

J:\AA\Design\AA23002 - 2024 Sidewalk Gap Project\Ann Arbor Cads\Plan Production\AA23002_Rem2.dwg Dwg Created: 15-Feb-24 - _a2_standard bw.stb - Plot Date: 6-Mar-24



REMOVAL PLAN - GLENDALE CIRCLE (WEST)



REMOVAL PLAN - FAIR STREET

REMOVAL HATCH KEY

	DRIVEWAY, REM
	SIDEWALK, REM
	BRICK PAVERS, SIDEWALK, REM AND REINSTALL

REMOVAL KEY

KEY	DESCRIPTION
1	EROSION CONTROL, INLET FILTER, FABRIC DROP
2	EROSION CONTROL, SILT FENCE
3	TREE, REM, 6 IN. - 12 IN.
4	TREE, REM, 13 IN. - 19 IN.
5	TREE, REM, 20 IN. - 29 IN.
6	SIDEWALK, SIDEWALK RAMP, AND DRIVEWAY APPROACH, ANY THICKNESS, REM
7	SIGN, SALV AND RE-ERECT
8	FENCE, REM
9	TIMBER WALL, REM
10	BRICK PAVERS, SIDEWALK, REM AND REINSTALL

QUANTITIES - THIS SHEET

Item	Quantity	Unit
Tree, Rem, 6 in. - 12 in.	3	Ea
Tree, Rem, 13 in. - 19 in.	1	Ea
Tree, Rem, 20 in. - 29 in.	1	Ea
Sidewalk, Sidewalk Ramp, and Driveway Approach, Any Thickness, Rem	10	Syd
Brick Pavers, Sidewalk, Rem and Reinstall	6	Sft
DS_Sign, Salv and Re-Erect	1	Ea

*SAWCUT FULL DEPTH AT REMOVAL LIMITS

811
Know what's below. Call before you dig.

327
BM-121
91053
21
300
BM-120
91235

09-09-30-321-014
515 GLENDALE CIR
JOHN GRANT REV. TRUST

#503 GLENDALE CIRCLE
BRIAN & CHRISTINE WEBER
09-09-30-321-016
503 GLENDALE CIR

#503 GLENDALE CIRCLE
JOHN & GEORGIA BOYSE
09-09-30-321-016
503 GLENDALE CIR

09-09-30-311-003
1812 FAIR ST

307
301
302
300

1812 FAIR ST.

1809 FAIR ST.
JOHN DICKSON & RACHEL SHAW

09-09-30-321-016
503 GLENDALE CIR
JOHN & GEORGIA BOYSE

09-09-30-321-013
1809 FAIR ST

09-09-30-422-010
1807 FAIR ST

4 BID PLANS
03/04/2024

3 90% PLAN REVIEW
02/15/2024

2 70% PLAN REVIEW
01/22/2024

1 BASE PLAN REVIEW
08/03/2023

REV. DATE DESCRIPTION

CITY OF ANN ARBOR
PUBLIC SERVICES
301 EAST HURON STREET
ANN ARBOR, MI 48106-6647
www.a2gov.org

CITY OF ANN ARBOR
MICHIGAN

CITY OF ANN ARBOR - PUBLIC SERVICES - ENGINEERING
2024 SIDEWALK GAP PROJECT
GLENDALE CIRCLE (WEST)

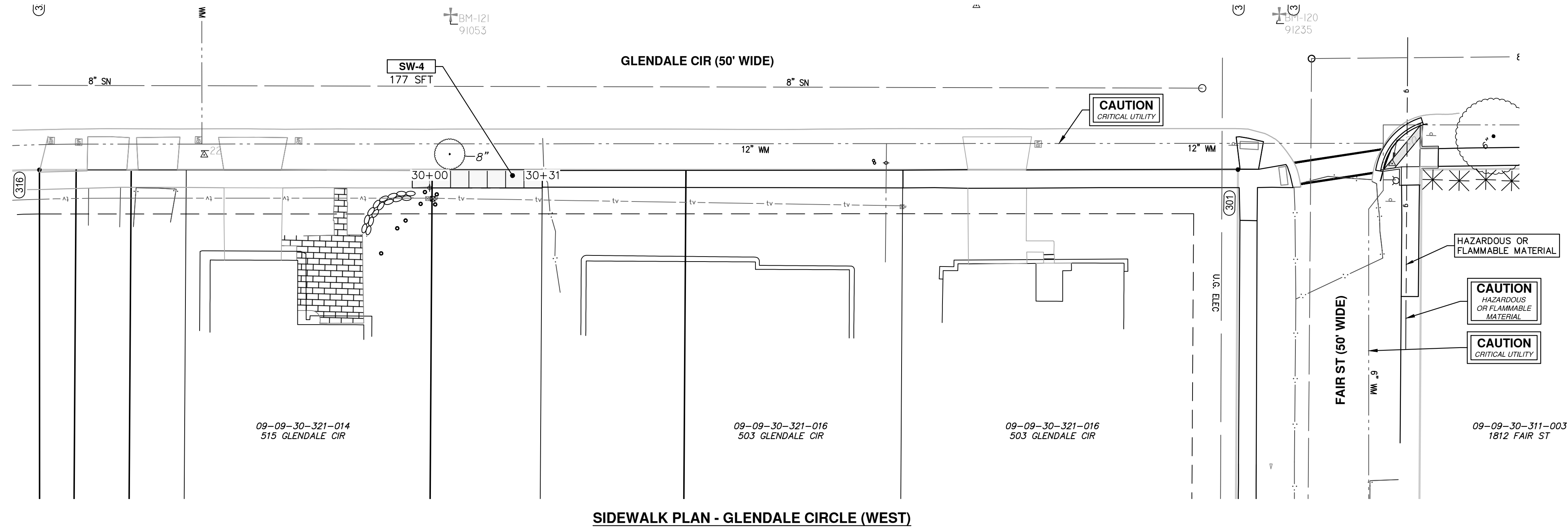
REMOVAL PLAN - GLENDALE CIR & FAIR ST (WEST)

SCALE: 1/20

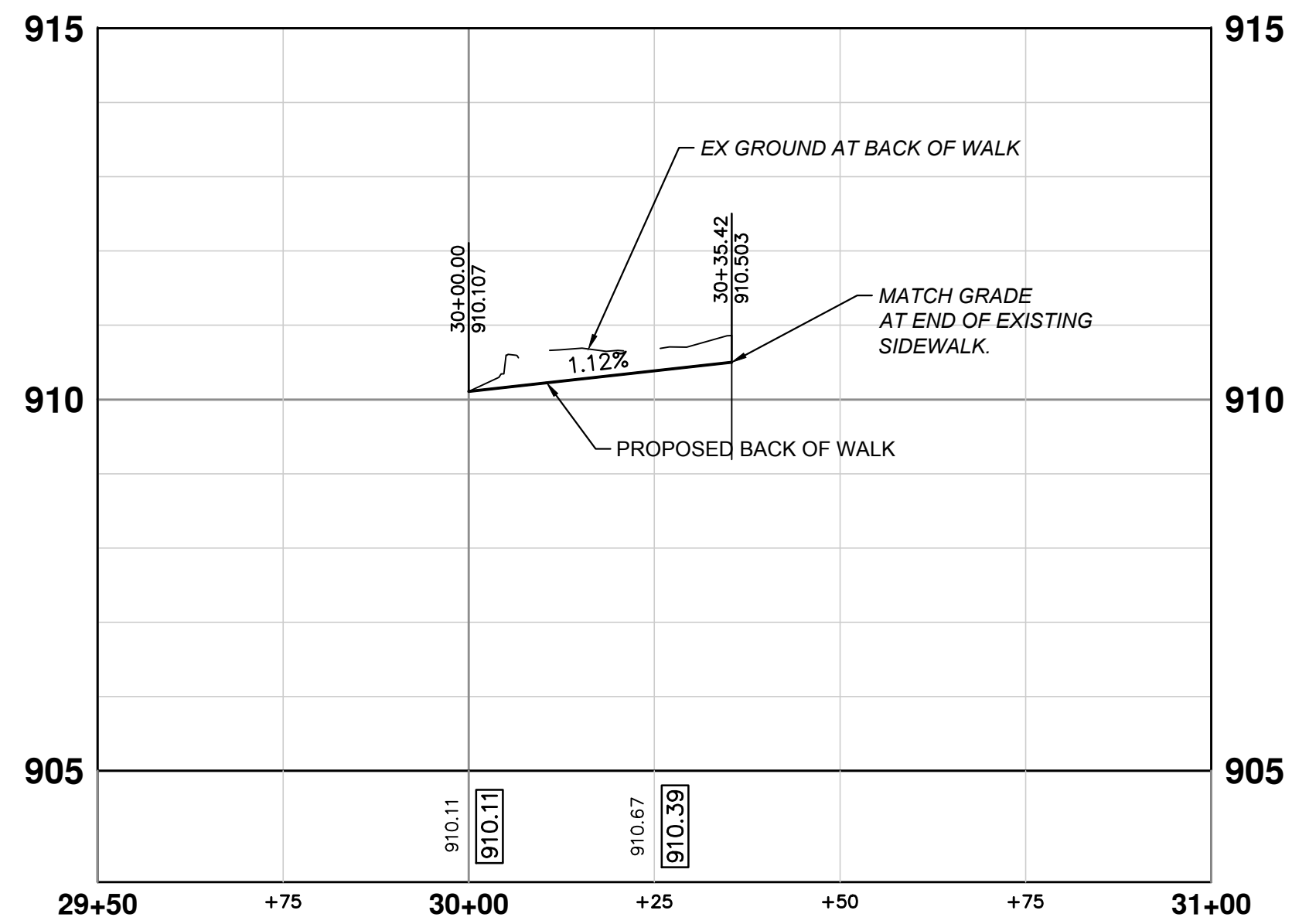
DRAWING No.
AA23002-9

SHEET No.
9 OF 14

J:\AA\Design\AA23002 - 2024 Sidewalk Gap Project\Ann Arbor Cads\Plan Production\AA23002_PP\wk2.dwg Dwg Created: 6-Mar-24 -- _a2_standard_bw.stb -- Plot Date: 6-Mar-24



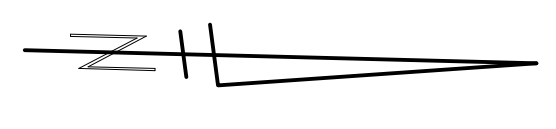
SIDEWALK PLAN - GLENDALE CIRCLE (WEST)



CONSTRUCTION KEY	
KEY	DESCRIPTION
SW-4	PLACE CONC, SIDEWALK, 4 IN.

QUANTITIES - THIS SHEET

Item	Quantity	Unit
Machine Grading, Sidewalk, Modified	0.3	Sta
Subgrade Undercutting, Type II	1	Cyd
Subbase, CIP	5	Cyd
Conc, Sidewalk, 4 In.	177	Sft
Turf Restoration	30	Syd



REV.	DESCRIPTION	DATE	DRAWN	CHECKED
4	BID PLANS	03/04/2024	AJC	ST
3	90% PLAN REVIEW	02/15/2024	AJC	ST
2	70% PLAN REVIEW	01/22/2024	AJC	ST
1	BASE PLAN REVIEW	08/03/2023	AJC	ST

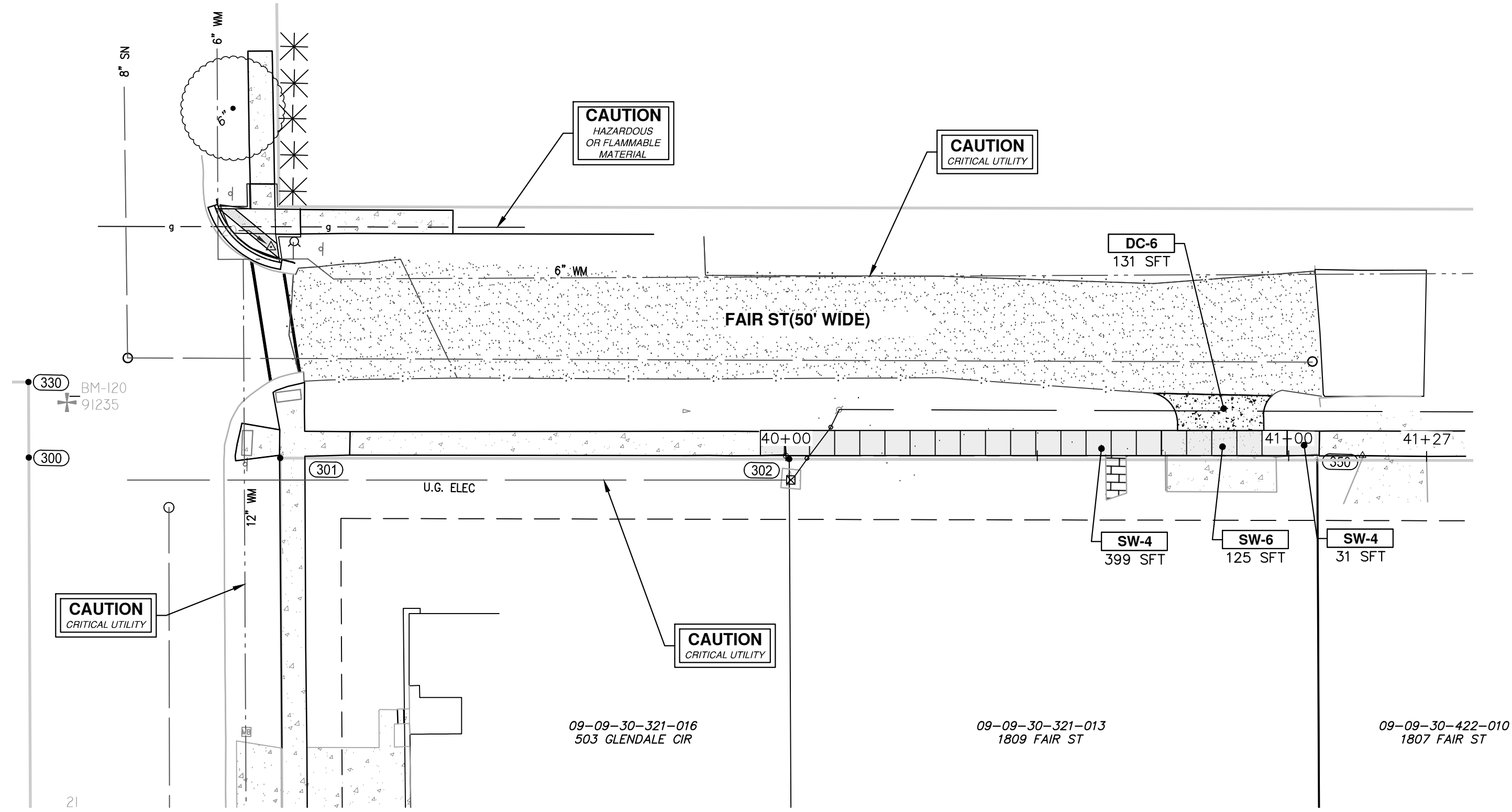
CITY OF ANN ARBOR
PUBLIC SERVICES
301 EAST HURON STREET
ANN ARBOR MI 48106-0647
www.a2gov.org



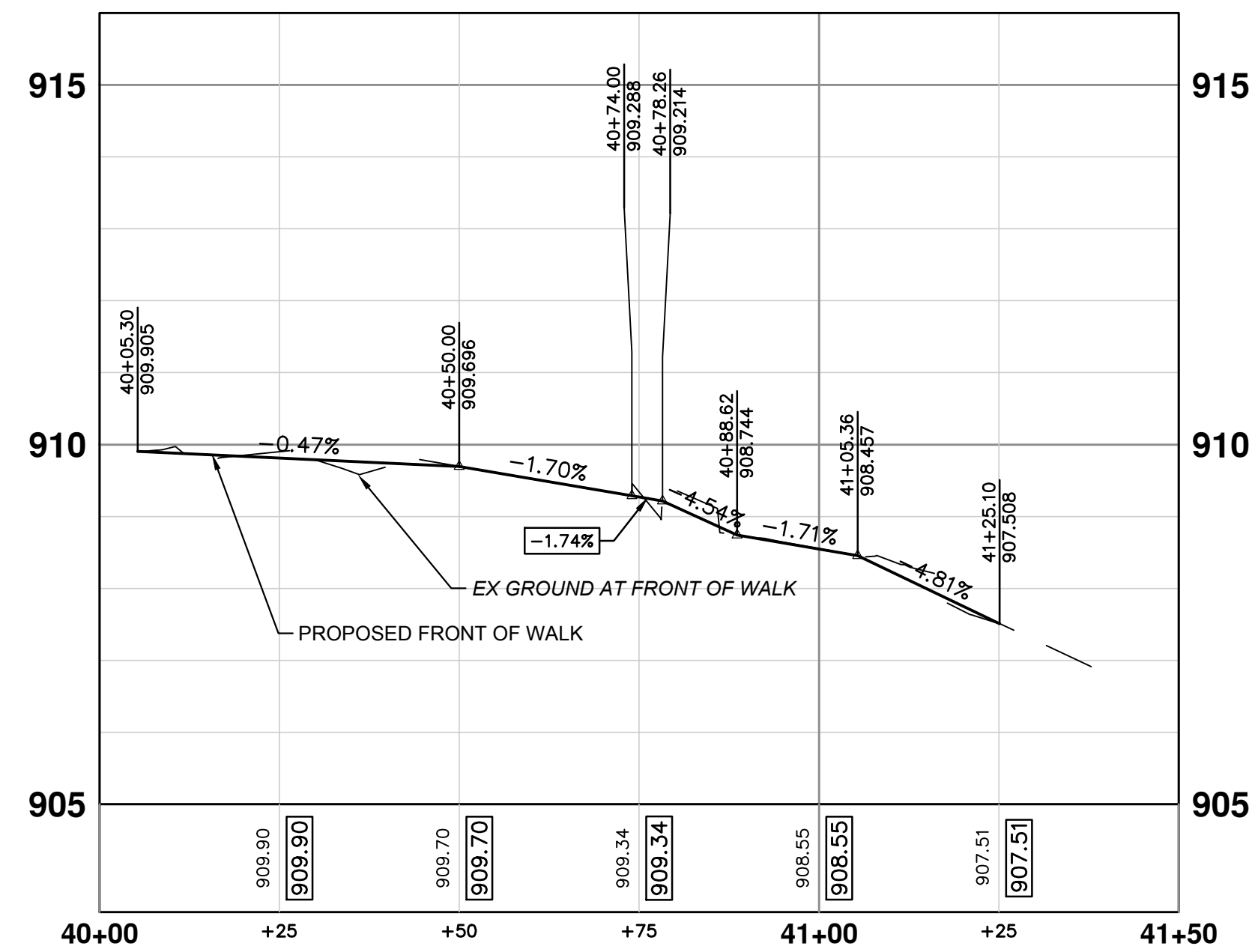
CITY OF ANN ARBOR - PUBLIC SERVICES - ENGINEERING
2024 SIDEWALK GAP PROJECT
GLENDALE CIRCLE (WEST)
SIDEWALK LAYOUT PLAN & PROFILE - GLENDALE CIR & FAIR ST (WEST)

SCALE PLAN: 1" = 20'
PROFILE: 1" = 20'
DRAWING No. AA23002-10

J:\AA\Design\AA23002 - 2024 Sidewalk Gap Project\Ann Arbor Cads\Plan Production\AA23002_PP\wk2.dwg Dwg Created: 6-Mar-24 -- _a2 standard bw.stb -- Plot Date: 6-Mar-24



SIDEWALK PLAN - FAIR ST



CONSTRUCTION KEY	
KEY	DESCRIPTION
SW-4	PLACE CONC, SIDEWALK, 4 IN.
SW-6	PLACE CONC, SIDEWALK, 6 IN.
DC-6	PLACE CONC, DRIVE APPROACH, NON-REINFORCED, P-NC, 6 INCH. PLACE AND COMPACT 6 INCH SUBBASE, CIP, CLASS II GRANULAR MATERIAL, MODIFIED.

QUANTITIES - THIS SHEET

Item	Quantity	Unit
Machine Grading, Sidewalk, Modified	1.1	Sta
Subgrade Undercutting, Type II	1	Cyd
Subbase, CIP	14	Cyd
Conc, Sidewalk, 4 In.	430	Sft
Conc, Sidewalk, Drive Approach, or Ramp, 6 In.	125	Sft
Conc, Sidewalk, Drive Approach, or Ramp, 6 in., High Early	131	Sft
Turf Restoration	90	Syd



REV.	DESCRIPTION	DATE	DRAWN	CHECKED
4	BID PLANS	03/04/2024	AJC	ST
3	90% PLAN REVIEW	02/15/2024	AJC	ST
2	70% PLAN REVIEW	01/22/2024	AJC	ST
1	BASE PLAN REVIEW	08/03/2023	AJC	ST

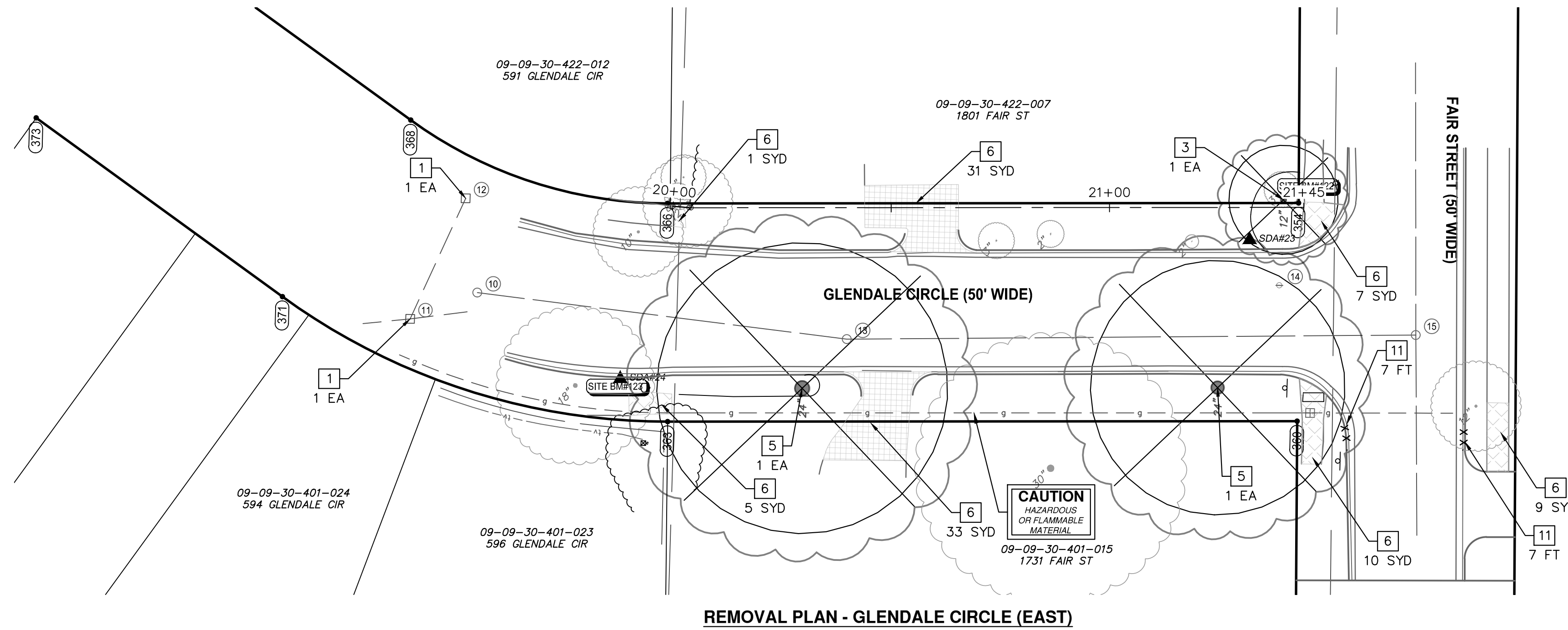
CITY OF ANN ARBOR
PUBLIC SERVICES
301 EAST HURON STREET
ANN ARBOR, MI 48106-6647
www.a2gov.org



CITY OF ANN ARBOR - PUBLIC SERVICES - ENGINEERING
2024 SIDEWALK GAP PROJECT
FAIR STREET
SIDEWALK LAYOUT PLAN AND PROFILE - FAIR STREET

SCALE PLAN: 1" = 20'
PROFILE: 1" = 20'
DRAWING No. AA23002-11

j:\AAA\Design\AA23002 - 2024 Sidewalk Gap Project\Ann Arbor\Cads\Plan Production\AA23002_Rem2.dwg Dwg Created: 15-Feb-24 -- _a2_standard bw.stb -- Plot Date: 6-Mar-24



REMOVAL HATCH KEY

	DRIVEWAY, REM
	SIDEWALK, REM
	BRICK PAVERS, SIDEWALK, REM AND REINSTALL
	CURB AND GUTTER, REM


REMOVAL KEY

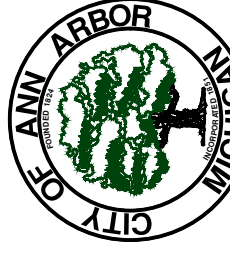
KEY	DESCRIPTION
1	EROSION CONTROL, INLET FILTER, FABRIC DROP
2	EROSION CONTROL, SILT FENCE
3	TREE, REM, 6 IN. - 12 IN.
4	TREE, REM, 13 IN. - 19 IN.
5	TREE, REM, 20 IN. - 29 IN.
6	SIDEWALK, SIDEWALK RAMP, AND DRIVEWAY APPROACH, ANY THICKNESS, REM
7	SIGN, REMOVAL, PRIVATE ORNAMENTAL SIGNS
8	FENCE, REM
9	TIMBER WALL, REM
10	BRICK PAVERS, SIDEWALK, REM AND REINSTALL
11	CURB, GUTTER, AND CURB AND GUTTER, ANY TYPE, REM

QUANTITIES - THIS SHEET

Item	Quantity	Unit
Erosion Control, Inlet Protection, Fabric Drop	2	Ea
Tree, Rem, 6 in. - 12 in.	1	Ea
Tree, Rem, 20 in. - 29 in.	2	Syd
Curb, Gutter, and Curb and Gutter, Any Type, Rem	14	Ft
Sidewalk, Sidewalk Ramp, and Driveway Approach, Any Thickness, Rem	65	Syd

*SAWCUT FULL DEPTH AT REMOVAL LIMITS





CITY OF ANN ARBOR - PUBLIC SERVICES - ENGINEERING

2024 SIDEWALK GAP PROJECT

GLENDALE CIRCLE (EAST)

REMOVAL PLAN - GLENDALE CIR EAST

SCALE: #####

DRAWING No. **AA23002-12**

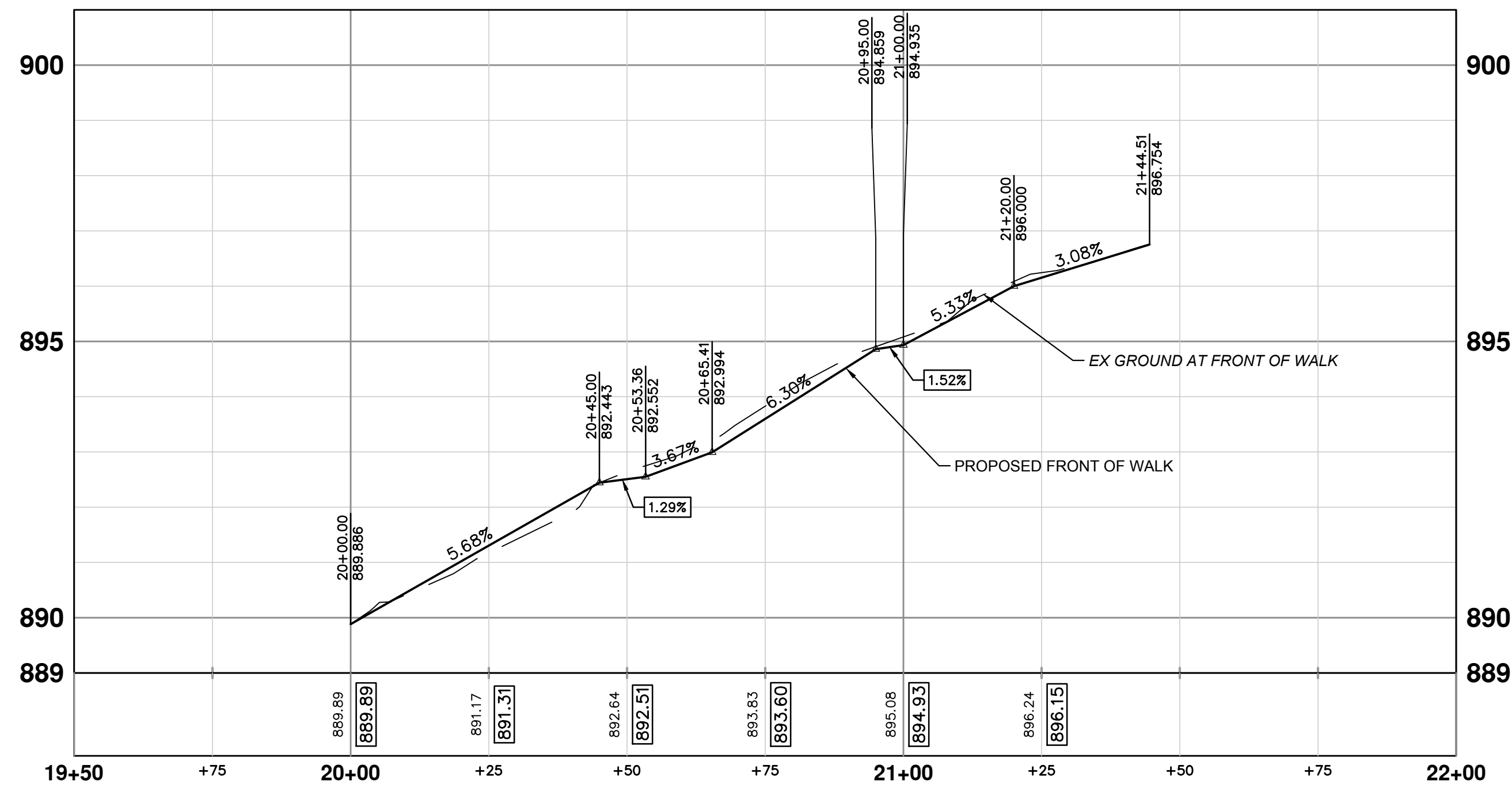
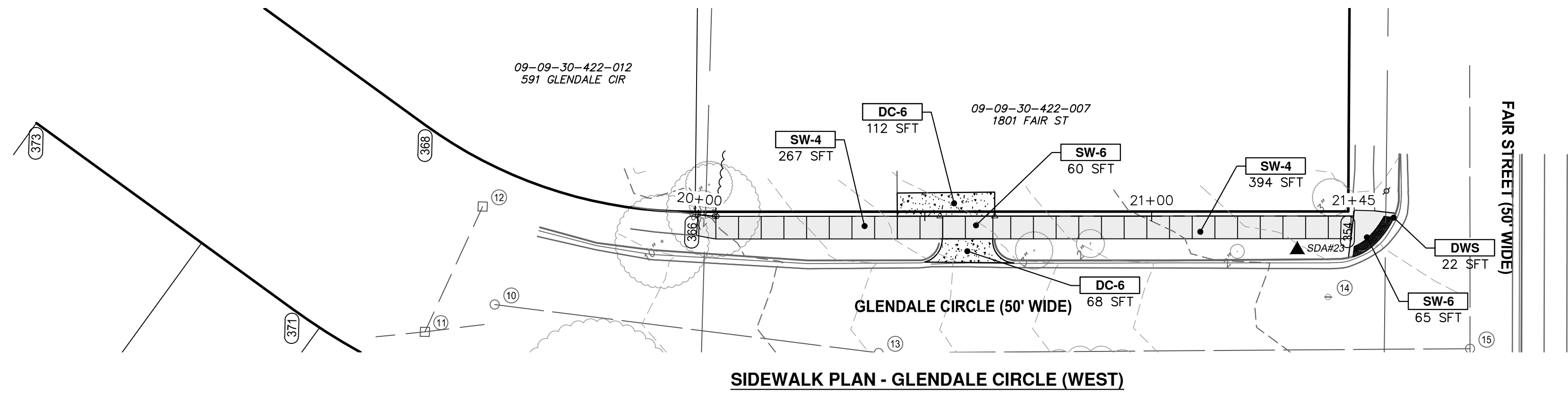
SHEET No. **12 OF 14**

4	BID PLANS	03/04/2024	AJC	ST	CHECKED
3	90% PLAN REVIEW	02/15/2024	AJC	ST	DRAWN
2	70% PLAN REVIEW	01/22/2024	AJC	ST	DRAWN
1	BASE PLAN REVIEW	05/03/2023	AJC	ST	CHECKED
REV.	DESCRIPTION	DATE	AJC	ST	DRAWN

CITY OF ANN ARBOR
PUBLIC SERVICES
301 EAST HURON STREET
P.O. BOX 8647
ANN ARBOR MI 48106-8647
www.a2gov.org

Know what's below.
Call Before you dig.


J:\AA\Design\AA23002 - 2024 Sidewalk Gap Project\Ann Arbor Cads\Plan Production\AA23002_PP\wk2.dwg Dwg Created: 6-Mar-24 - _a2 standard bw.stb - Plot Date: 6-Mar-24




CONSTRUCTION KEY	
KEY	DESCRIPTION
SW-4	CONC, SIDEWALK, 4 IN.
SW-6	CONC, SIDEWALK, RAMP, 6 IN.
DWS	DETECTABLE WARNING, CAST IN PLACE

QUANTITIES - THIS SHEET

Item	Quantity	Unit
Machine Grading, Sidewalk, Modified	1.5	Sta
Subgrade Undercutting, Type II	1.5	Cyd
Subbase, CIP	5	Cyd
Conc, Sidewalk, 4 In.	661	Sft
Conc, Sidewalk, Drive Approach, or Ramp, 6 In.	125	Sft
Conc, Sidewalk, Drive Approach, or Ramp, 6 in., High Early	180	Sft
Detectable Warning Surface	22	Sft
Turf Restoration	100	Syd



CITY OF ANN ARBOR - PUBLIC SERVICES - ENGINEERING
2024 SIDEWALK GAP PROJECT
 GLENDALE CIRCLE (EAST)
 SIDEWALK LAYOUT PLAN AND PROFILE - GLENDALE CIR (WEST)



Know what's below.
Call Before you dig.

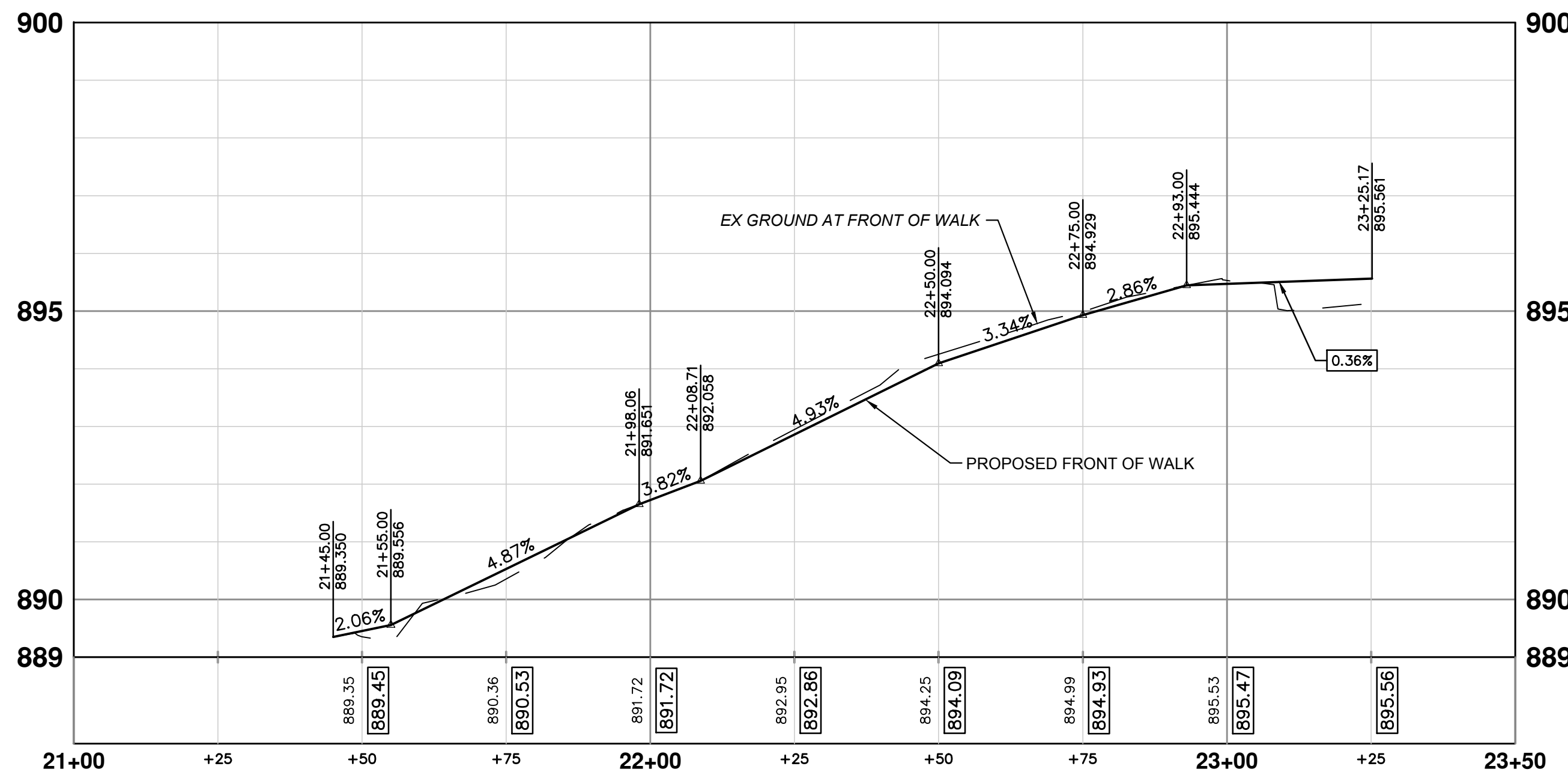
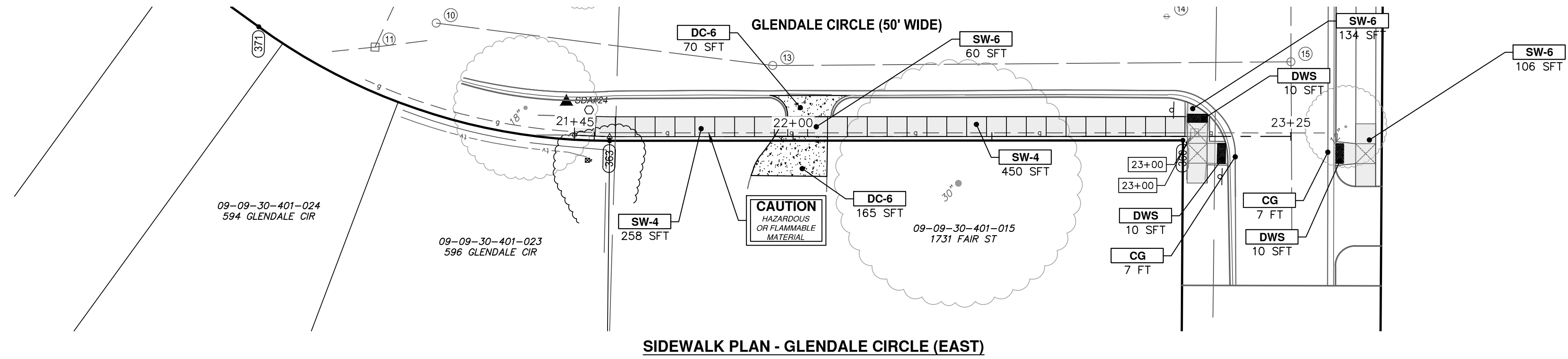
REV.	DESCRIPTION	DATE	AJC	ST	CHECKED
4	BID PLANS	03/04/2024	AJC	ST	CHECKED
3	90% PLAN REVIEW	02/15/2024	AJC	ST	CHECKED
2	70% PLAN REVIEW	01/22/2024	AJC	ST	CHECKED
1	BASE PLAN REVIEW	08/03/2023	AJC	ST	CHECKED

CITY OF ANN ARBOR
 PUBLIC SERVICES
 301 EAST HURON STREET
 P.O. BOX 8647
 ANN ARBOR, MI 48106-8647
 www.a2gov.org

SCALE PLAN: #####
 PROFILE: 1" = 20'
 DRAWING No. AA23002-13

SHEET No. **13 OF 14**

J:\AA\Design\AA23002 - 2024 Sidewalk Gap Project\Ann Arbor Cads\Plan Production\AA23002_PP\wk2.dwg Dwg Created: 6-Mar-24 - _a2_standard_bw.stb - Plot Date: 6-Mar-24



CONSTRUCTION KEY

KEY	DESCRIPTION
SW-4	CONC, SIDEWALK, 4 IN.
SW-6	CONC, SIDEWALK, RAMP, 6 IN.
CG	CONC CURB AND GUTTER
DWS	DETECTABLE WARNING, CAST IN PLACE

QUANTITIES - THIS SHEET

Item	Quantity	Unit
Machine Grading, Sidewalk, Modified	1.5	Sta
Subgrade Undercutting, Type II	1.5	Cyd
Subbase, CIP	5	Cyd
Conc, Sidewalk, 4 In.	710	Sft
Conc, Sidewalk, Drive Approach, or Ramp, 6 In.	300	Sft
Conc, Curb or Curb & Gutter, All Types	235	Sft
Detectable Warning Surface	14	Ft
Turf Restoration	30	Sft
	100	Syd

CITY OF ANN ARBOR - PUBLIC SERVICES - ENGINEERING
2024 SIDEWALK GAP PROJECT
 GLENDALE CIRCLE (EAST)
 SIDEWALK LAYOUT PLAN AND PROFILE - GLENDALE CIR (EAST)

REV.	DESCRIPTION	DATE	DRAWN	CHECKED
4	BID PLANS	03/04/2024	AJC	ST
3	90% PLAN REVIEW	02/15/2024	AJC	ST
2	70% PLAN REVIEW	01/22/2024	AJC	ST
1	BASE PLAN REVIEW	08/03/2023	AJC	ST

CITY OF ANN ARBOR
 PUBLIC SERVICES
 301 EAST HURON STREET
 ANN ARBOR, MI 48106-6647
 www.a2gov.org

SHEET No. **14 OF 14**