

ADDENDUM No. 2

RFP No. 23-61

Crescents Water Main Replacement and Resurfacing

Due Date: December 19, 2023 by 3:00 p.m. (local time)

The information contained herein shall take precedence over the original documents and all previous addenda (if any) and is appended thereto. **This Addendum includes a total of 2 pages including 1 plan sheet.**

The Proposer is to acknowledge **receipt of this Addendum No. 2 by signing and submitting attachment B**, including all attachments in its Proposal by so indicating in the proposal that the addendum has been received. Proposals submitted without acknowledgement of receipt of this addendum may be considered non-conforming.

The following forms provided within the RFP Document should be included in submitted proposal:

- **Attachment D - Prevailing Wage Declaration of Compliance**
- **Attachment E - Living Wage Declaration of Compliance**
- **Attachment G - Vendor Conflict of Interest Disclosure Form**
- **Attachment H - Non-Discrimination Declaration of Compliance**

Proposals that fail to provide these completed forms listed above upon proposal opening may be rejected as non-responsive and may not be considered for award.

I. CORRECTIONS/ADDITIONS/DELETIONS

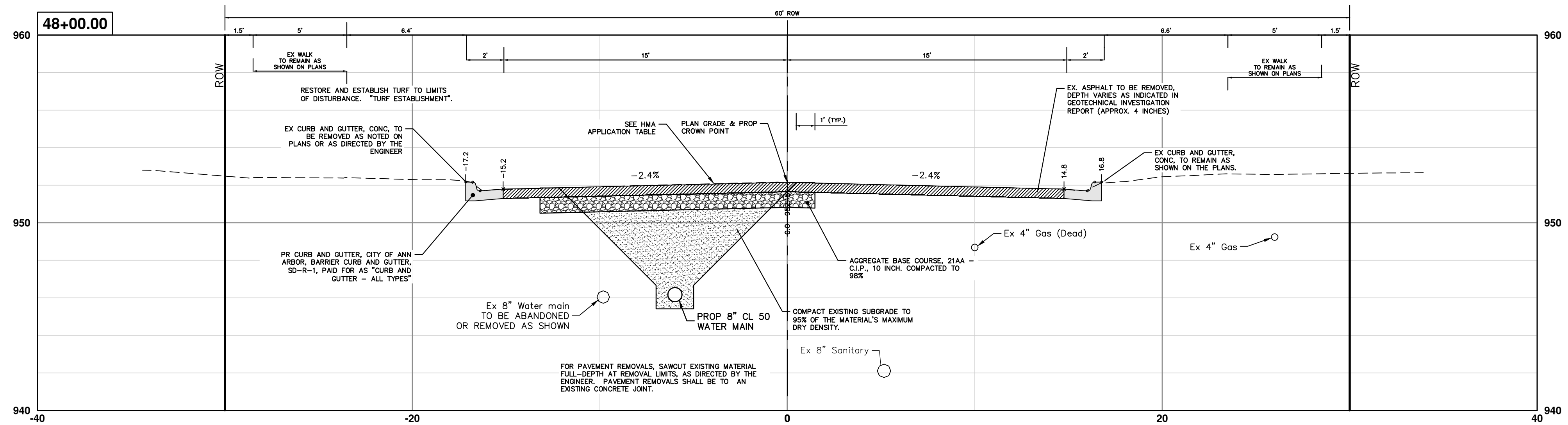
Changes to the RFP documents which are outlined below are referenced to a page or Section in which they appear conspicuously. Offerors are to take note in its review of the documents and include these changes as they may affect work or details in other areas not specifically referenced here.

Section/Page(s)	Change
------------------------	---------------

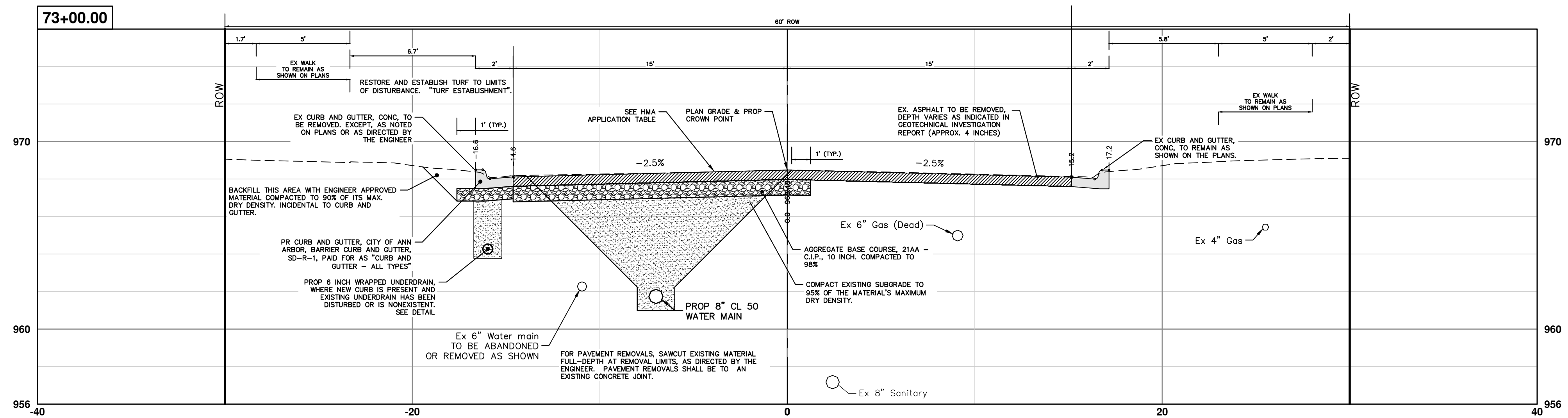
New Plan Sheet A1	Typical Cross Sections for Hatcher, Saunders
-------------------	--

Offerors are responsible for any conclusions that they may draw from the information contained in the Addendum.

R:\2022012 Crescents WM Replacement\Plan Production\2022012_XSctn.dwg Dwg Created: 14-Dec-23 - _a2 standard bw.stb - Plot Date: 14-Dec-23



**HATCHER CRESCENT
TYPICAL SECTION**
0+00 TO 59+00



**SAUNDERS CRESCENT
TYPICAL SECTION**
59+00 TO 83+93



01	Addendum #2	12-14-2023	KB	NB
00	EGLC PERMIT	11-14-2023	DF/CC/KB	NB
		DATE	DRAWN	CHECKED
		DESCRIPTION		
		REV.		

CITY OF ANN ARBOR
PUBLIC SERVICES
301 EAST HURON STREET
ANN ARBOR, MI 48106-8647
ANN ARBOR: 734.794.4410
WWW.A2GOV.ORG



CITY OF ANN ARBOR - PUBLIC SERVICES - ENGINEERING
CRESCENTS WATER MAIN REPLACEMENT PROJECT
TYPICAL SECTIONS
HATCHER & SAUNDERS CRESCENT

SCALE PLAN: 1" = 4'
DRAWING No. 2022012-A1