

May 1, 2013

**ADDENDUM NO. 1  
TO THE  
INVITATION TO BID(ITB) - 4288  
WEST MADISON STREET IMPROVEMENT PROJECT  
FOR THE  
CITY OF ANN ARBOR, MICHIGAN**

The following changes, additions, and/or deletions shall be made to the Bid Documents for the W. Madison Street Improvement Project, for the City of Ann Arbor, Michigan, Invitation To Bid No. ITB - 4288.

The information contained herein shall take precedence over the original documents and all previous addenda, and is appended thereto. **This Addendum includes 39 page(s) and 4 drawing(s).**

**The Contractor is to acknowledge receipt of this Addendum No. 1 on page P-1 of the Bid Documents prior to submitting its Proposal.**

Changes in the Bid Documents which are outlined below are referenced to a page or drawing in which they appear conspicuously. The Bidder is to take note in its review of the documents and include these changes as they affect work or details in other areas not specifically referenced here.

- Item #1: Contract Documents, Advertisement, Page AD-1;  
Replace page AD-1 with the attached revised AD-1(ADD-1-3)
  
- Item #2: Contract Documents, BF-2 through BF-3;  
Replace pages BF-1 through BF-3 with the attached revised BF-1(ADD-2-3) through BF-3(ADD -2 -5).
  
- Item #3: Contract Documents, Appendix B – Standard Contract Language for Clean Water and Drinking Water State Revolving Fund;  
Replace Davis-Bacon/Prevailing Federal Wage Rates pages with the attached pages (Publication Date 4/26/2013).
  
- Item #4: Contract Plan Set; replace plan sheet 5, Details Sheet  
The Stone Reservoir Detail was revised

Item #5: Contract Plan Set; replace plan sheet 9, Bioretention Details Sheet  
The Planrer Plan, Planter Section View, and Planter Wall Detail no longer  
applicable.

Item #6: Contract Plan Set; replace plan sheets 30 and 31, Storm Sewer Sheets  
The revised Stone Reservoir is shown.

ADVERTISEMENT FOR THE WEST MADISON STREET  
IMPROVEMENTS PROJECT  
CITY OF ANN ARBOR

ITB # 4288

Sealed Bids will be received by the City of Ann Arbor Procurement Unit, Fifth (5<sup>th</sup>) Floor, Guy Larcom City Hall, on or before Wednesday, May 8, 2013 by 11:00 AM for construction of West Madison Street Improvements Project. Bids will be publicly opened and read aloud at this time.

Work to be done includes the reconstruction of West Madison Street between Main Street and Seventh Street including replacement of HMA pavement, sand subbase, aggregate base, curb, and storm sewer, installation of the storm water management system, water main replacement, and permanent pavement markings and all related work.

A pre-bid conference will be held Thursday, April 25, 2013 at 2:00 p.m. in the 4th floor Conference Room, City Hall located at 301 E. Huron St., Ann Arbor, Michigan 48104. Attendance is highly recommended.

Bid documents, specifications, plans and addendum shall be downloaded by vendors at either of the following web sites, Michigan Inter-governmental Trade Network (MITN) [www.mitn.info](http://www.mitn.info) or City of Ann Arbor web site [www.A2gov.org](http://www.A2gov.org). It is the bidder's responsibility to verify they have obtained all information before submitting a bid.

Each Bid shall be accompanied by a certified check, or Bid Bond by a recognized surety, in the amount of 5% of the total of the bid price. A Bid, once submitted, becomes the property of the City. In the sole discretion of the City, the City reserves the right to allow a bidder to reclaim submitted documents provided the documents are requested and retrieved no later than 48 hours prior to the scheduled bid opening.

The successful Bidder will be required to furnish satisfactory performance and labor and material bonds in the amount of 100% of the bid price and satisfactory insurance coverage.

Precondition for entering into a contract with the City of Ann Arbor: (i) compliance with Chapter 112 of Title IX of the Code of the City of Ann Arbor. (ii) compliance with applicable prevailing wage and living wage requirements of Chapter 23 of Title I of the Code of the City of Ann Arbor. Further information is outlined in the contract documents.

After the time of opening, no Bid may be withdrawn for a period of 90 days. The City reserves the right to accept any Bid, to reject any or all Bids, to waive irregularities and/or informalities in any Bid, and to make the award in any manner the City believes to be in its best interest.

Any further information may be obtained from the Ann Arbor Procurement Office,  
(734) 794-6500  
CITY OF ANN ARBOR, MICHIGAN

BID FORM

Section 1 - Schedule of Prices

Item	Description	Unit	Estimated Quantity	Unit Price	Total Cost
260	Sand Subbase Course, Class II - CIP	CY	4000	\$	\$
261	21AA Limestone - C.I.P.	CY	200	\$	\$
262	Aggregate Base Course, 21AA - C.I.P.	CY	3400	\$	\$
270	"No Parking" Signs	EA	28	\$	\$
271	Portable, Changeable Message Sign, Furn. & Oper.	EA	6	\$	\$
272	Plastic Drum - Lighted, Furnished and Operated	EA	150	\$	\$
273	Type III Lighted Barricade, Furnished & Operated	EA	18	\$	\$
274	Temporary Type B Signs	SF	1380	\$	\$
280	Rain Garden Weir Wall, Conc	EA	7	\$	\$
281	Rip-Rap Plain Modified	CY	30	\$	\$
282	Planting, Tree	EA	14	\$	\$
286	Planting, Plug	EA	300	\$	\$
287	Mulch, Modified	SY	150	\$	\$
288	Watering & Cultivating, First Season, Min. \$5,000, Mod	LS	1	\$	\$
289	Watering & Cultivating, Second Season, Min. \$5,000, M	LS	1	\$	\$
290	Rain Garden	SF	1600	\$	\$
290	Mulch Blanket, Modified	SY	6000	\$	\$
292	Bioretention Site Preparation	SY	200	\$	\$
293	Spillway, Concrete	EA	7	\$	\$
295	Brick Pavers, Dry Set	SF	1400	\$	\$
305	8 inch SDR 35 PVC Trench Detail 1	LF	80	\$	\$
315	8 inch N 12 HDPE Trench Detail VI	LF	75	\$	\$
320	12 inch Class IV RCP Trench Detail I	LF	486	\$	\$
321	18 inch Class IV RCP Trench Detail I	LF	325	\$	\$
322	24 inch Class IV RCP Trench Detail I	LF	338	\$	\$
323	36 inch Class IV RCP Trench Detail I	LF	196	\$	\$
324	48 inch Class IV RCP Trench Detail I	LF	413	\$	\$
325	15 inch Class IV RCP Trench Detail I	LF	65	\$	\$
335	8 inch x 4 inch SDR 35 PVC Wye	EA	4	\$	\$
353	4 inch SDR 35 PVC Service Lead	LF	110	\$	\$
360	Type I Manhole 0-10 feet Deep, 4 foot dia	EA	10	\$	\$
361	Type 1 Manhole Additional Depth, 4 foot dia	VF	9	\$	\$
362	Type II Manhole, 0-10 feet Deep, 5 and 6 foot dia	EA	9	\$	\$
363	Type II Manhole Additional Depth, 5 and 6 foot dia	VF	9	\$	\$
366	Inlet Junction Chamber	EA	4	\$	\$
367	Single Inlet	EA	25	\$	\$
385	Sewer Pipe Abandonment	LF	3000	\$	\$
386	Sewer Structure Abandonment	EA	49	\$	\$
391	Pipe Undercut & Refill (6AA)	CY	200	\$	\$
400	12 inch, Class 50 DIP w/polywrap, TD-I	LF	690	\$	\$
401	8 inch, Class 50 DIP w/polywrap, TD-I	LF	2700	\$	\$

TOTAL THIS PAGE \$ \_\_\_\_\_

(Also Enter on BF-3)

BID FORM

Section 1 - Schedule of Prices

Item	Description	Unit	Estimated Quantity	Unit Price	Total Cost
402	6 inch Class 50 DIP w/polywrap, TD-I	LF	70	\$	\$
403	4 inch Class 50 DIP w/polywrap, TD-I	LF	20	\$	\$
413	12" 22.5° Bend	EA	4	\$	\$
414	12" 45° Bend	EA	22	\$	\$
415	8" 90° Bend	EA	2	\$	\$
416	8" 22-1/2° Bend	EA	10	\$	\$
417	8" 11-1/4° Bend	EA	4	\$	\$
419	8" 45° Bend	EA	53	\$	\$
420	8" x 6" Reducer	EA	18	\$	\$
421	8" X 4" Reducer	EA	1	\$	\$
422	12" x 8" Reducer	EA	1	\$	\$
423	12" x 6" Reducer	EA	1	\$	\$
432	8" x 8" x 8" Tee	EA	14	\$	\$
433	12" x 12" x 12" Tee	EA	5	\$	\$
434	12"x12"x12"x12" cross	EA	1	\$	\$
436	12" x 12" x 8" Tee	EA	3	\$	\$
440	Fire Hydrant Assembly	EA	7	\$	\$
442	12" Gate Valve-in Box	EA	5	\$	\$
443	8" Gate Valve-in Box	EA	17	\$	\$
448	12" Gate Valve-in Well	EA	1	\$	\$
449	8" Gate Valve-in Well	EA	1	\$	\$
450	12" x 6" Tapping Sleeve and Valve in Box	EA	1	\$	\$
451	12" x 8" Tapping Sleeve and Valve in Box	EA	1	\$	\$
460	Excavate and Backfill for Water Services and Leads	LF	570	\$	\$
481	Water Main Pipe Abandonment	LF	3480	\$	\$
482	Gate Valve-in-Box Abandonment	EA	3	\$	\$
483	Gate Valve-in-Well Abandonment	EA	12	\$	\$
564	Reconstruct Structure	EA	2	\$	\$
590	Cold Plastic Pavt. Mrkg Bike Symbol with Arrow	EA	8	\$	\$
591	Pavt. Mrkg Inlaid Cold Plastic Sharrow White	EA	8	\$	\$
595	Hot-Applied, Thermoplastic Pavement Markings 4 inch Yellow	LF	3800	\$	\$
596	Hot-Applied, Thermoplastic Pavement Markings 6 inch White	LF	2465	\$	\$
597	Hot-Applied, Thermoplastic Pavement Markings 24 inch White	LF	860	\$	\$
598	Hot-Applied, Thermoplastic Pavement Markings Arrow Symbol White	EA	5	\$	\$
599	Hot-Applied, Thermoplastic Pavement Markings Only Legend White	EA	5	\$	\$
613	3 inch Schedule 80 PVC Conduit	LF	100	\$	\$
703	Inlet Filter	EA	30	\$	\$
800	Silt Fence	LF	1000	\$	\$
882	Seeding and Mulching	SY	6000	\$	\$
891	Cleanup & Restoration	LS	1	\$	\$

TOTAL THIS PAGE \$ \_\_\_\_\_

TOTAL FROM PAGE BF-1 \$ \_\_\_\_\_

TOTAL FROM PAGE BF-2 \$ \_\_\_\_\_

TOTAL BASE BID : \$ \_\_\_\_\_

General Decision Number: MI130001 04/26/2013 MI1

Superseded General Decision Number: MI20120001

State: Michigan

Construction Types: Highway (Highway, Airport & Bridge xxxxx and Sewer/Incid. to Hwy.)

Counties: Michigan Statewide.

Modification Number Publication Date

0	01/04/2013
1	04/05/2013
2	04/26/2013

\* CARP0004-004 06/01/2012

REMAINDER OF STATE

Rates Fringes

CARPENTER ( Piledriver).....	\$ 24.94	16.87
------------------------------	----------	-------

-----  
CARP0004-005 06/01/2012

LIVINGSTON (Townships of Brighton, Deerfield, Genoa, Hartland, Oceola & Tyrone), MACOMB, MONROE, OAKLAND, SANILAC, ST. CLAIR AND WAYNE COUNTIES

Rates Fringes

CARPENTER (Piledriver).....	\$ 28.24	22.70
-----------------------------	----------	-------

-----  
\* ELEC0017-005 06/04/2012

STATEWIDE

Rates Fringes

Line Construction

Groundman/Driver.....	\$ 26.24	11.56
Journeyman Signal Tech, Communications Tech, Tower Tech & Fiber Optic Splicers.	\$ 35.58	13.97
Journeyman Specialist.....	\$ 40.92	15.34
Operator A.....	\$ 30.16	12.57
Operator B.....	\$ 28.19	12.06

Classifications

Journeyman Specialist: Refers to a crew of only one person working alone.

Operator A: Shall be proficient in operating all power equipment including: Backhoe,

Excavator, Directional Bore and Boom/Digger truck.

Operator B: Shall be proficient in operating any 2 of the above mentioned pieces of equipment listed under Operator A.

-----  
ENGI0324-003 06/01/2012

ALCONA, ALPENA, ARENAC, BAY, CHEBOYGAN, CLARE, CLINTON, CRAWFORD, GENESEE, GLADWIN, GRATIOT, HURON, INGHAM, IOSCO, ISABELLA, JACKSON, LAPEER, LENAWEE, LIVINGSTON, MACOMB, MIDLAND, MONROE, MONTMORENCY, OAKLAND, OGEMAW, OSCODA, OTSEGO, PRESQUE ISLE, ROSCOMMON, SAGINAW, ST. CLAIR, SANILAC, SHIAWASSEE, TUSCOLA, WASHTENAW AND WAYNE COUNTIES:

Rates      Fringes

OPERATOR: Power Equipment  
(Steel Erection)

GROUP 1.....	\$ 42.62	19.95
GROUP 2.....	\$ 43.62	19.95
GROUP 3.....	\$ 41.12	19.95
GROUP 4.....	\$ 42.12	19.95
GROUP 5.....	\$ 39.62	19.95
GROUP 6.....	\$ 40.62	19.95
GROUP 7.....	\$ 39.35	19.95
GROUP 8.....	\$ 40.35	19.95
GROUP 9.....	\$ 38.90	19.95
GROUP 10.....	\$ 39.90	19.95
GROUP 11.....	\$ 38.17	19.95
GROUP 12.....	\$ 39.17	19.95
GROUP 13.....	\$ 37.81	19.95
GROUP 14.....	\$ 38.81	19.95
GROUP 15.....	\$ 37.17	19.95
GROUP 16.....	\$ 35.47	19.95
GROUP 17.....	\$ 30.36	19.95
GROUP 18.....	\$ 28.95	19.95

FOOTNOTE:

Paid Holidays: New Year's Day, Memorial Day, Fourth of July, Labor Day, Thanksgiving Day and Christmas Day.

**POWER EQUIPMENT OPERATOR CLASSIFICATIONS**

GROUP 1: Engineer when operating combination of boom and jib 400' or longer

GROUP 2: Engineer when operating combination of boom and jib 400' or longer on a crane that requires an oiler

GROUP 3: Engineer when operating combination of boom and jib 300' or longer

GROUP 4: Engineer when operating combination of boom and jib 300' or longer on a crane that requires an oiler

GROUP 5: Engineer when operating combination of boom and jib 220' or longer

GROUP 6: Engineer when operating combination of boom and jib 220' or longer on a crane that requires an oiler

GROUP 7: Engineer when operating combination of boom and jib 140' or longer

GROUP 8: Engineer when operating combination of boom and jib 140' or longer on a crane that requires an oiler

GROUP 9: Tower crane & derrick operator (where operator's work station is 50 ft. or more above first sub-level)

GROUP 10: Tower crane & derrick operator (where operator's work station is 50 ft. or more above first sub-level) on a crane that requires an oiler

GROUP 11: Engineer when operating combination of boom and jib 120' or longer

GROUP 12: Engineer when operating combination of boom and jib 120' or longer on a crane that requires an oiler

GROUP 13: Crane operator; job mechanic and 3 drum hoist and excavator

GROUP 14: Crane operator on a crane that requires an oiler

GROUP 15: Hoisting operator; 2 drum hoist and rubber tired backhoe

GROUP 16: Forklift and 1 drum hoist

GROUP 17: Compressor or welder operator

GROUP 18: Oiler

-----  
ENGI0324-004 07/01/2012

AREA 1: ALLEGAN, BARRY, BERRIEN, BRANCH, CALHOUN, CASS, EATON, HILLSDALE, IONIA, KALAMAZOO, KENT, LAKE, MANISTEE, MASON, MECOSTA, MONTCALM, MUSKEGON, NEWAYGO, OCEANA, OSCEOLA, OTTAWA, ST. JOSEPH, VAN BUREN

AREA 2: ANTRIM, BENZIE, CHARLEVOIX, EMMET, GRAND TRAVERSE,



KALKASKA, LEELANAU, MISSAUKEE AND WEXFORD COUNTIES:

Rates Fringes

OPERATOR: Power Equipment  
(Steel Erection)

AREA 1

GROUP 1.....	\$ 29.34	20.20
GROUP 2.....	\$ 29.09	20.20
GROUP 3.....	\$ 28.59	20.20
GROUP 4.....	\$ 23.49	20.20
GROUP 5.....	\$ 21.84	20.20
GROUP 6.....	\$ 19.24	20.20

AREA 2

GROUP 1.....	\$ 29.34	20.20
GROUP 2.....	\$ 29.09	20.20
GROUP 3.....	\$ 28.09	20.20
GROUP 4.....	\$ 23.19	20.20
GROUP 5.....	\$ 21.54	20.20
GROUP 6.....	\$ 18.74	20.20

FOOTNOTES:

Crane operator with main boom and jib 300' or longer: \$1.50 additional to the group 1 rate. Crane operator with main boom and jib 400' or longer: \$3.00 additional to the group 1 rate.

PAID HOLIDAYS: New Year's Day, Memorial Day, Fourth of July, Labor Day, Thanksgiving Day and Christmas Day.

POWER EQUIPMENT OPERATOR CLASSIFICATIONS:

GROUP 1: Crane Operator with main boom & jib 400', 300', or 220' or longer.

GROUP 2: Crane Operator with main boom & jib 140' or longer, Tower Crane; Gantry Crane; Whirley Derrick.

GROUP 3: Regular Equipment Operator, Crane, Dozer, Loader, Hoist, Straddle Wagon, Mechanic, Grader and Hydro Excavator.

GROUP 4: Air Tugger (single drum), Material Hoist Pump 6" or over, Elevators, Brokk Concrete Breaker.

GROUP 5: Air Compressor, Welder, Generators, Conveyors

GROUP 6: Oiler and fire tender

-----  
ENGI0324-005 09/01/2012

AREA 1: GENESEE, LAPEER, LIVINGSTON, MACOMB, MONROE, OAKLAND,  
ST. CLAIR, WASHTENAW AND WAYNE COUNTIES

AREA 2: ALCONA, ALLEGAN, ALPENA, ANTRIM, ARENAC, BARRY, BAY, BENZIE, BERRIEN, BRANCH, CALHOUN, CASS, CHARLEVOIX, CHEBOYGAN, CLARE, CLINTON, CRAWFORD, EATON, EMMET, GLADWIN, GRAND TRAVERSE, GRATIOT, HILLSDALE, HURON, INGHAM, IONIA, IOSCO, ISABELLA, JACKSON, KALAMAZOO, KALKASKA, KENT, LAKE, LEELANAU, LENAWEE, MANISTEE, MASON, MECOSTA, MIDLAND, MISSAUKEE, MONTCALM, MONTMORENCY, MUSKEGON, NEWAYGO, OCEANA, OGEMAW, OSCEOLA, OSCODA, OTSEGO, OTTAWA, PRESQUE ISLE, ROSCOMMON, SAGINAW, SANILAC, SHIAWASSEE, ST. JOSEPH, TUSCOLA, VAN BUREN AND WEXFORD COUNTIES

Rates Fringes

OPERATOR: Power Equipment  
(Undrground construction  
(including sewer)

AREA 1:

GROUP 1.....	\$ 29.98	20.25
GROUP 2.....	\$ 25.25	20.25
GROUP 3.....	\$ 24.52	20.25
GROUP 4.....	\$ 23.95	20.25

AREA 2:

GROUP 1.....	\$ 28.27	20.25
GROUP 2.....	\$ 23.38	20.25
GROUP 3.....	\$ 22.88	20.25
GROUP 4.....	\$ 22.60	20.25

POWER EQUIPMENT OPERATOR CLASSIFICATIONS

GROUP 1: Backfiller tamper; Backhoe; Batch plant operator (concrete); Clamshell; Concrete paver (2 drums or larger); Conveyor loader (Euclid type); Crane (crawler, truck type or pile driving); Dozer; Dragline; Elevating grader; Endloader; Gradall (and similar type machine); Grader; Mechanic; Power shovel; Roller (asphalt); Scraper (self-propelled or tractor drawn); Side boom tractor (type D-4 or equivalent and larger); Slip form paver; Slope paver; Trencher (over 8 ft. digging capacity); Well drilling rig; Concrete pump with boom operator; Hydro Excavator

GROUP 2: Boom truck (power swing type boom); Crusher; Hoist; Pump (1 or more - 6-in. discharge or larger - gas or diesel- powered or powered by generator of 300 amperes or more - inclusive of generator); Side boom tractor (smaller than type D-4 or equivalent); Tractor (pneu-tired, other than backhoe or front end loader); Trencher (8-ft. digging capacity and smaller);Vac Truck

GROUP 3: Air compressors (600 cfm or larger); Air compressors (2 or more-less than 600 cfm); Boom truck (non-swinging, non- powered type boom); Concrete breaker (self-propelled or truck mounted - includes compressor); Concrete paver (1

drum-1/2 yd. or larger); Elevator (other than passenger); Maintenance person; Pump (2 or more-4-in. up to 6-in. discharge-gas or diesel powered - excluding submersible pumps); Pumpcrete machine (and similar equipment); Wagon drill (multiple); Welding machine or generator (2 or more-300 amp. or larger - gas or diesel powered)

GROUP 4: Boiler; Concrete saw (40 hp or over); Curing machine (self-propelled); Farm tractor (with attachment); Finishing machine (concrete); Fire person; Hydraulic pipe pushing machine; Mulching equipment; Oiler; Pumps (2 or more up to 4-in. discharge, if used 3 hours or more a day, gas or diesel powered - excluding submersible pumps); Roller (other than asphalt); Stump remover; Trencher (service); Vibrating compaction equipment, self-propelled (6 ft. wide or over); End dump operator; Sweeper (Wayne type); Water wagon and Extend-a boom forklift

-----  
 ENGI0324-006 06/01/2012

AREA 1: GENESEE, MACOMB, MONROE, OAKLAND, WASHTENAW AND WAYNE COUNTIES

AREA 2: ALCONA, ALGER, ALLEGAN, ALPENA, ANTRIM, ARENAC, BARAGA, BARRY, BAY, BENZIE, BERRIEN, BRANCH, CALHOUN, CASS, CHARLEVOIX, CHEBOYGAN, CHIPPEWA, CLARE, CLINTON, CRAWFORD, DELTA, DICKINSON, EATON, EMMET, GLADWIN, GOGEBIC, GRAND TRAVERSE, GRATIOT, HILLSDALE, HOUGHTON, HURON, INGHAM, IONIA, IOSCO, IRON, ISABELLA, JACKSON, KALAMAZOO, KALKASKA, KENT, KEWEENAW, LAKE, LAPEER, LEELANAU, LENAWEE, LIVINGSTON, LUCE, MACKINAC, MANISTEE, MARQUETTE, MASON, MECOSTA, MENOMINEE, MIDLAND, MISSAUKEE, MONTCALM, MONTMORENCY, MUSKEGON, NEWAYGO, OCEANA, OGEMAW, ONTONAGON, OSCEOLA, OSCODA, OTSEGO, OTTAWA, PRESQUE ISLE, ROSCOMMON, SAGINAW, ST. CLARE, ST. JOSEPH, SANILAC, SCHOOLCRAFT, SHIAWASSEE, TUSCOLA, VAN BUREN AND WEXFORD COUNTIES

Rates      Fringes

Power equipment operators:  
 (AIRPORT, BRIDGE & HIGHWAY  
 CONSTRUCTION)

AREA 1

GROUP 1.....	\$ 29.11	20.25
GROUP 2.....	\$ 22.38	20.25
GROUP 3.....	\$ 23.68	20.25
GROUP 4.....	\$ 21.82	20.25
GROUP 5.....	\$ 21.65	20.25

AREA 2

GROUP 1.....	\$ 29.11	20.25
GROUP 2.....	\$ 22.23	20.25
GROUP 3.....	\$ 23.53	20.25
GROUP 4.....	\$ 21.67	20.25
GROUP 5.....	\$ 21.35	20.25

## POWER EQUIPMENT OPERATOR CLASSIFICATIONS

GROUP 1: Asphalt plant operator; Crane operator (does not include work on bridge construction projects when the crane operator is erecting structural components); Dragline operator; Shovel operator; Locomotive operator; Paver operator (5 bags or more); Elevating grader operator; Pile driving operator; Roller operator (asphalt); Blade grader operator; Trenching machine operator (ladder or wheel type); Auto-grader; Slip form paver; Self-propelled or tractor-drawn scraper; Conveyor loader operator (Euclid type); Endloader operator (1 yd. capacity and over); Bulldozer; Hoisting engineer; Tractor operator; Finishing machine operator (asphalt); Mechanic; Pump operator (6-in. discharge or over, gas, diesel powered or generator of 300 amp. or larger); Shouldering or gravel distributing machine operator (self-propelled); Backhoe (with over 3/8 yd. bucket); Side boom tractor (type D-4 or equivalent or larger); Tube finisher (slip form paving); Gradall (and similar type machine); Asphalt paver (self-propelled); Asphalt planer (self-propelled); Batch plant (concrete-central mix); Slurry machine (asphalt); Concrete pump (3 in. and over); Roto-mill; Swinging boom truck (over 12 ton capacity); Hydro demolisher (water blaster); Farm-type tractor with attached pan

GROUP 2: Screening plant operator; Washing plant operator; Crusher operator; Backhoe (with 3/8 yd. bucket or less); Side boom tractor (smaller than D-4 type or equivalent); Sweeper (Wayne type and similar equipment); Vacuum truck operator; Batch plant (concrete dry batch)

### GROUP 3: Grease Truck

GROUP 4: Air compressor operator (600 cu. ft. per min or more); Air compressor operator (two or more, less than 600 cfm); Wagon drill operator; Concrete breaker; Tractor operator (farm type with attachment)

GROUP 5: Boiler fire tender; Oiler; Fire tender; Trencher (service); Flexplane operator; Cleftplane operator; Grader operator (self-propelled fine-grade or form (concrete)); Finishing machine operator (concrete); Boom or winch hoist truck operator; Endloader operator (under 1 yd. capacity); Roller operator (other than asphalt); Curing equipment operator (self-propelled); Concrete saw operator (40 h.p. or over); Power bin operator; Plant drier operator (asphalt); Vibratory compaction equipment operator (6 ft. wide or over); Guard post driver operator (power driven); All mulching equipment; Stump remover; Concrete pump (under 3-in.); Mesh installer (self-propelled); Tractor operator (farm type); End dump; Skid steer

---

ENGI0324-007 05/01/2012

ALGER, BARAGA, CHIPPEWA, DELTA, DICKINSON, GOGEBIC, HOUGHTON,  
 IRON, KEWEENAW, LUCE, MACKINAC MARQUETTE, MENOMINEE, ONTONAGON  
 AND SCHOOLCRAFT COUNTIES:

Rates Fringes

OPERATOR: Power Equipment  
 (Steel Erection)

Compressor, welder and forklift.....	\$ 24.03	19.95
Crane operator, main boom & jib 120' or longer.....	\$ 27.78	19.95
Crane operator, main boom & jib 140' or longer.....	\$ 28.03	19.95
Crane operator, main boom & jib 220' or longer.....	\$ 28.28	19.95
Mechanic with truck and tools.....	\$ 28.78	19.95
Oiler and fireman.....	\$ 22.73	19.95
Regular operator.....	\$ 27.28	19.95

-----  
 ENGI0324-008 10/01/2012

ALCONA, ALGER, ALLEGAN, ALPENA, ANTRIM, ARENAC, BARAGA, BARRY,  
 BAY, BENZIE, BERRIEN, BRANCH, CALHOUN, CASS, CHARLEVOIX,  
 CHEBOYGAN, CHIPPEWA, CLARE, CLINTON, CRAWFORD, DELTA,  
 DICKINSON, EATON, EMMET, GENESEE, GLADWIN, GOGEBIC, GRAND  
 TRAVERSE, GRATIOT, HILLSDALE, HOUGHTON, HURON, INGHAM, IONIA,  
 IOSCO, IRON, ISABELLA, JACKSON, KALAMAZOO, KALKASKA, KENT,  
 KEWEENAW, LAKE, LAPEER, LEELANAU, LENAWEE, LIVINGSTON, LUCE,  
 MACKINAC, MACOMB, MANISTEE, MARQUETTE, MASON, MECOSTA,  
 MENOMINEE, MIDLAND, MISSAUKEE, MONTCALM, MONTMORENCY, MONROE,  
 MUSKEGON, NEWAYGO, OAKLAND, OCEANA, OGEMAW, ONTONAGON, OSCEOLA,  
 OSCODA, OTSEGO, OTTAWA, PRESQUE ISLE, ROSCOMMON, SAGINAW, ST.  
 CLARE, ST. JOSEPH, SANILAC, SCHOOLCRAFT, SHIAWASSEE, TUSCOLA,  
 VAN BUREN, WASHTENAW, WAYNE AND WEXFORD COUNTIES

Rates Fringes

OPERATOR: Power Equipment  
 (Sewer Relining)

GROUP 1.....	\$ 29.65	12.39
GROUP 2.....	\$ 28.12	12.39

SEWER RELINING CLASSIFICATIONS

GROUP 1: Operation of audio-visual closed circuit TV system,  
 including remote in-ground cutter and other equipment used  
 in connection with the CCTV system

GROUP 2: Operation of hot water heaters and circulation

systems, water jettors and vacuum and mechanical debris removal systems

-----  
ENGI0325-010 05/01/2012

ALGER, BARAGA, CHIPPEWA, DELTA, DICKINSON, GOGEBIC, HOUGHTON, IRON, KEWEENAW, LUCE, MACKINAC, MARQUETTE, MENOMINEE, ONTONAGON AND SCHOOLCRAFT COUNTIES:

Rates Fringes

OPERATOR: Power Equipment  
(Underground Construction)

Crane operator, main boom & jib 120' or longer.....\$ 27.38	19.95
Crane operator, main boom & jib 140' or longer.....\$ 27.63	19.95
Crane operator, main boom & jib 220' or longer.....\$ 27.88	19.95
GROUP 1.....\$ 26.88	19.95
GROUP 2.....\$ 23.63	19.95
GROUP 3.....\$ 23.05	19.95
GROUP 4.....\$ 22.11	19.95
Mechanic with truck and tools.....\$ 28.38	19.95

FOOTNOTES: Swing boom truck operator over 15 tons: \$.50 per hour additional. Hydraulic crane operator 75 tons and under: \$.75 per hour additional. Hydraulic crane operator over 75 tons: \$1.00 per hour additional. Lattice boom crane operator: \$1.50 per hour additional. Crusher pit, shafts and tunnel workers: \$2.00 per hour additional.

POWER EQUIPMENT OPERATOR CLASSIFICATIONS

GROUP 1: Regular equipment operator, crane, dozer, front end loader, job mechanic, pumpcrete and squeezecrete, concrete pump, excavator, milling and pulverizing machines, scraper (self-propelled and tractor drawn), welder

GROUP 2: Air track drill, boom truck (non-swing), concrete mixer, material hoist and tugger, pump 6" and over, beltcrete, sweeping machine, trencher, winches, well points and freeze systems

GROUP 3: Air compressor, conveyor, concrete saw, farm tractor (without attachments), fork truck, generator, guard post driver, mulching machine, pumps under 6-in., welding machine and grease person

GROUP 4: Oiler, fire tender, heater operator, brock concrete breaker, elevators (other than passenger), end dumps and skid steer

Crane Operator with main boom and jib 300' or longer shall be paid an additional one dollar and fifty cents (\$1.50) per hour above the 220' of boom and jib wage rate.

Crane Operator with main boom and jib 400' or longer shall be paid an additional one dollar and fifty cents (\$1.50) per hour above the 300 foot of boom wage rate (\$3.00)

-----  
 ENGI0325-011 10/01/2011

AREA 1: GENESEE, LAPEER, LIVINGSTON, MACOMB, MONROE, OAKLAND, ST. CLAIR, WASHTENAW AND WAYNE COUNTIES

AREA 2: ALCONA, ALGER, ALLEGAN, ALPENA, ANTRIM, ARENAC, BARAGA, BARRY, BAY, BENZIE, BERRIEN, BRANCH, CALHOUN, CASS, CHARLEVOIX, CHEBOYGAN, CHIPPEWA, CLARE, CLINTON, CRAWFORD, DELTA, DICKINSON, EATON, EMMET, GLADWIN, GOGEBIC, GRAND TRAVERSE, GRATIOT, HILLSDALE, HOUGHTON, HURON, INGHAM, IONIA, IOSCO, IRON, ISABELLA, JACKSON, KALAMAZOO, KALKASKA, KENT, KEWEENAW, LAKE, LEELANAU, LENAWEE, LUCE, MACKINAC, MANISTEE, MARQUETTE, MASON, MECOSTA, MENOMINEE, MIDLAND, MISSAUKEE, MONTCALM, MONTMORENCY, MUSKEGON, NEWAYGO, OCEANA, OGEMAW, ONTONAGON, OSCEOLA, OSCODA, OTSEGO, OTTAWA, PRESQUE ISLE, ROSCOMMON, SAGINAW, ST. JOSEPH, SANILAC, SCHOOLCRAFT, SHIAWASSEE, TUSCOLA, VAN BUREN AND WEXFORD COUNTIES

Rates            Fringes

Power equipment operators - hazardous waste removal: (AREA 1)

AREA 1: LEVEL A

Engineer when operating crane with boom and jib or leads 140' or longer....\$ 34.68            19.70

Engineer when operating crane with boom and jib or leads 220' or longer....\$ 34.98            19.70

GROUP 1.....\$ 32.03            19.70

GROUP 2.....\$ 27.80            19.70

Regular crane operator, mechanic, dragline operator, boom truck operator and concrete pump with boom operator, power shovel operator.....\$ 33.00            19.70

AREA 1: LEVEL B AND C

Engineer when operating crane with boom and jib or leads 140' or longer....\$ 33.73            19.70

Engineer when operating

crane with boom and jib or leads 220' or longer....\$ 34.03	19.70
GROUP 1.....\$ 31.08	19.70
GROUP 2.....\$ 26.85	19.70
Regular crane operator, mechanic, dragline operator, boom truck operator and concrete pump with boom operator, power shovel operator.....\$ 32.05	19.70
AREA 1: LEVEL D WHEN CAPPING LANDFILL	
Engineer when operating crane with boom and jib or leads 140' or longer....\$ 32.18	19.70
Engineer when operating crane with boom and jib or leads 220' or longer....\$ 32.48	19.70
GROUP 1.....\$ 29.53	19.70
GROUP 2.....\$ 25.30	19.70
Regular crane operator, mechanic, dragline operator, boom truck operator and concrete pump with boom operator, power shovel operator.....\$ 29.88	19.70
AREA 1: LEVEL D	
Engineer when operating crane with boom and jib or leads 140' or longer....\$ 32.43	19.70
Engineer when operating crane with boom and jib or leads 220' or longer....\$ 32.73	19.70
GROUP 1.....\$ 29.78	19.70
GROUP 2.....\$ 25.55	19.70
Regular crane operator, mechanic, dragline operator, boom truck operator and concrete pump with boom operator, power shovel operator.....\$ 30.75	19.70
Power equipment operators - hazardous waste removal: (AREA 2)	
AREA 2: LEVEL A	
Engineer when operating crane with boom and jib or leads 140' or longer....\$ 32.97	19.70
Engineer when operating crane with boom and jib or leads 220' or longer....\$ 33.27	19.70
GROUP 1.....\$ 30.32	19.70
GROUP 2.....\$ 25.92	19.70
Regular crane operator,	



mechanic, dragline  
operator, boom truck  
operator and concrete  
pump with boom operator,  
power shovel operator.....\$ 31.29      19.70

AREA 2: LEVEL B AND C

Engineer when operating  
crane with boom and jib  
or leads 140' or longer....\$ 31.91      19.70

Engineer when operating  
crane with boom and jib  
or leads 220' or longer....\$ 32.23      19.70

GROUP 1.....\$ 29.37      19.70

GROUP 2.....\$ 24.98      19.70

Regular crane operator,  
mechanic, dragline  
operator, boom truck  
operator and concrete  
pump with boom operator,  
power shovel operator.....\$ 30.34      19.70

AREA 2: LEVEL D WHEN

CAPPING LANDFILL

Engineer when operating  
crane with boom and jib  
or leads 140' or longer....\$ 30.47      19.70

Engineer when operating  
crane with boom and jib  
or leads 220' or longer....\$ 30.77      19.70

GROUP 1.....\$ 27.82      19.70

GROUP 2.....\$ 23.43      19.70

Regular crane operator,  
mechanic, dragline  
operator, boom truck  
operator and concrete  
pump with boom operator,  
power shovel operator.....\$ 28.79      19.70

AREA 2: LEVEL D

Engineer when operating  
crane with boom and jib  
or leads 140' or longer....\$ 30.72      19.70

Engineer when operating  
crane with boom and jib  
or leads 220' or longer....\$ 31.02      19.70

GROUP 1.....\$ 28.07      19.70

GROUP 2.....\$ 23.68      19.70

Regular crane operator,  
mechanic, dragline  
operator, boom truck  
operator and concrete  
pump with boom operator,  
power shovel operator.....\$ 29.04      19.70

HAZARDOUS WASTE REMOVAL CLASSIFICATIONS

Group 1: Backhoe, batch plant operator, clamshell, concrete

breaker when attached to hoe, concrete cleaning decontamination machine operator, concrete pump, concrete paver, crusher, dozer, elevating grader, endloader, farm tractor (90 h.p. and higher), gradall, grader, heavy equipment robotics operator, loader, pug mill, pumpcrete machines, pump trucks, roller, scraper (self-propelled or tractor drawn), side boom tractor, slip form paver, slope paver, trencher, ultra high pressure waterjet cutting tool system, vactors, vacuum blasting machine operator, vertical lifting hoist, vibrating compaction equipment (self-propelled), well drilling rig and hydro excavator

GROUP 2: Air compressor, concrete breaker when not attached to hoe, elevator, end dumps, equipment decontamination operator, farm tractor (less than 90 h.p.), forklift, generator, heater, mulcher, pigs (portable reagent storage tanks), power screens, pumps (water), stationary compressed air plant, sweeper, welding machine and water wagon

-----  
 ENGI0325-012 05/01/2012

AREA 1: MACOMB, MONROE, OAKLAND, ST. CLAIR, WASHTENAW AND WAYNE COUNTIES

AREA 2: ALCONA, ALGER, ALLEGAN, ALPENA, ANTRIM, ARENAC, BARAGA, BARRY, BAY, BENZIE, BERRIEN, BRANCH, CALHOUN, CASS, CHARLEVOIX, CHEBOYGAN, CHIPPEWA, CLARE, CLINTON, CRAWFORD, DELTA, DICKINSON, EATON, EMMET, GENESEE, GLADWIN, GOGEBIC, GRAND TRAVERSE, GRATIOT, HILLSDALE, HOUGHTON, HURON, INGHAM, IONIA, IOSCO, IRON, ISABELLA, JACKSON, KALAMAZOO, KALKASKA, KENT, KEWEENAW, LAKE, LAPEER, LEELANAU, LENAWEE, LIVINGSTON LUCE, MACKINAC, MANISTEE, MARQUETTE, MASON, MECOSTA, MENOMINEE, MIDLAND, MISSAUKEE, MONTCALM, MONTMORENCY, MUSKEGON, NEWAYGO, OCEANA, OGEMAW, ONTONAGON, OSCEOLA, OSCODA, OTSEGO, OTTAWA, PRESQUE ISLE, ROSCOMMON, SAGINAW, ST. JOSEPH, SANILAC, SCHOOLCRAFT, SHIAWASSEE, TUSCOLA, VAN BUREN AND WEXFORD COUNTIES

Rates      Fringes

Power equipment operators -  
 gas distribution and duct  
 installation work:

AREA 1		
GROUP 1.....	\$ 26.68	20.20
GROUP 2.....	\$ 26.55	20.20
GROUP 3.....	\$ 25.42	20.20
GROUP 4.....	\$ 24.85	20.20
AREA 2		
GROUP 1.....	\$ 25.77	20.20
GROUP 2-A.....	\$ 25.67	20.20
GROUP 2-B.....	\$ 25.45	20.20
GROUP 3.....	\$ 24.67	20.20
GROUP 4.....	\$ 24.17	20.20

**SCOPE OF WORK:** The construction, installation, treating and reconditioning of pipelines transporting gas vapors within cities, towns, subdivisions, suburban areas, or within private property boundaries, up to and including private meter settings of private industrial, governmental or other premises, more commonly referred to as "distribution work," starting from the first metering station, connection, similar or related facility, of the main or cross country pipeline and including duct installation.

#### AREA 1:

**GROUP 1:** Backhoe, crane, grader, mechanic, dozer (D-6 equivalent or larger), side boom (D-4 equivalent or larger), trencher(except service), endloader (2 yd. capacity or greater).

**GROUP 2:** Dozer (less than D-6 equivalent), endloader (under 2 yd. capacity), side boom (under D-4 capacity), backfiller, pumps (1 or 2 of 6-inch discharge or greater), boom truck (with powered boom), tractor (wheel type other than backhoe or front endloader).

**GROUP 3:** Tamper (self-propelled), boom truck (with non-powered boom), concrete saw (20 hp or larger), pumps (2 to 4 under 6-inch discharge), compressor (2 or more or when one is used continuously into the second day) and trencher(service).

**GROUP 4:** Oiler, hydraulic pipe pushing machine, grease person and hydrostatic testing operator.

#### AREA 2:

**GROUP 1:** Mechanic, crane (over 1/2 yd. capacity), backhoe (over 1/2 yd. capacity), grader (Caterpillar 12 equivalent or larger)

**GROUP 2-A:** Trencher(except service), backhoe (1/2 yd. capacity or less)

**GROUP 2-B:** Crane (1/2 yd. capacity or less), compressor (2 or more), dozer (D-4 equivalent or larger), endloader (1 yd. capacity or larger), pump (1 or 2 six-inch or larger), side boom (D-4 equivalent or larger)

**GROUP 3:** Backfiller, boom truck (powered), concrete saw (20 hp or larger), dozer (less than D-4 equivalent), endloader (under 1 yd. capacity), farm tractor (with attachments), pump (2 - 4 under six-inch capacity), side boom tractor(less than D-4 equivalent), tamper (self-propelled), trencher service and grader maintenance

GROUP 4: Oiler, grease person and hydrostatic testing operator

-----  
IRON0008-007 07/01/2012

ALGER, BARAGA, CHIPPEWA, DELTA, DICKINSON, GOGEBIC, HOUGHTON,  
IRON, KEWEENAW, LUCE, MACKINAC MARQUETTE, MENOMINEE, ONTONAGON  
AND SCHOOLCRAFT COUNTIES:

	Rates	Fringes
Ironworker - pre-engineered metal building erector.....	\$ 23.70	6.95
IRONWORKER		
General contracts \$10,000,000 or greater.....	\$ 25.60	22.67
General contracts less than \$10,000,000.....	\$ 22.51	22.67

Paid Holidays: New Year's Day, Memorial Day, July 4th, Labor  
Day, Thanksgiving Day & Christmas Day.

-----  
IRON0025-002 06/04/2012

ALCONA, ALPENA, ARENAC, BAY, CHEBOYGAN, CLARE, CLINTON,  
CRAWFORD, GENESEE, GLADWIN, GRATIOT, HURON, INGHAM, IOSCO,  
ISABELLA, JACKSON, LAPEER, LIVINGSTON, MACOMB, MIDLAND,  
MONTMORENCY, OAKLAND, OGEMAW, OSCODA, OTSEGO, PRESQUE ISLE,  
ROSCOMMON, SAGINAW, SANILAC, SHIAWASSEE, ST. CLAIR, TUSCOLA,  
WASHTENAW AND WAYNE COUNTIES:

	Rates	Fringes
Ironworker - pre-engineered metal building erector Alcona, Alpena, Arenac, Cheboygan, Clare, Clinton, Crawford, Gladwin, Gratiot, Huron, Ingham, Iosco, Isabella, Jackson, Lapeer, Livingston (west of Burkhardt Road), Montmorency, Ogemaw, Oscoda, Otsego, Presque Isle, Roscommon, Sanilac, Shiawassee, Tuscola & Washtenaw (west of U.S. 23).	\$ 22.17	20.13
Bay, Genesee, Lapeer, Livingston (east of Burkhardt Road), Macomb, Midland, Oakland, Saginaw, St. Clair, The University of Michigan, Washtenaw		

(east of U.S. 23) & Wayne...	\$ 23.39	21.13
<b>IRONWORKER</b>		
Ornamental and Structural...	\$ 33.29	25.34
Reinforcing.....	\$ 28.74	23.35

-----  
IRON0055-005 07/01/2012

LENAWEE AND MONROE COUNTIES:

Rates	Fringes
-------	---------

**IRONWORKER**

Pre-engineered metal buildings.....	\$ 23.59	18.95
All other work.....	\$ 28.32	18.95

-----  
IRON0292-003 06/01/2012

BERRIEN AND CASS COUNTIES:

Rates	Fringes
-------	---------

IRONWORKER (Including pre-engineered metal building erector).....	\$ 26.38	17.91
---	----------	-------

-----  
IRON0340-001 06/01/2012

ALLEGAN, ANTRIM, BARRY, BENZIE, BRANCH, CALHOUN, CHARLEVOIX, EATON, EMMET, GRAND TRAVERSE, HILLSDALE, IONIA, KALAMAZOO, KALKASKA, KENT, LAKE, LEELANAU, MANISTEE, MASON, MECOSTA, MISSAUKEE, MONTCALM, MUSKEGON, NEWAYGO, OCEANA, OSCEOLA, OTTAWA, ST. JOSEPH, VAN BUREN AND WEXFORD COUNTIES:

Rates	Fringes
-------	---------

IRONWORKER (Including pre-engineered metal building erector).....	\$ 20.68	23.32
---	----------	-------

-----  
LABO0005-006 10/01/2012

Rates	Fringes
-------	---------

Laborers - hazardous waste abatement: (ALCONA, ALPENA, ANTRIM, BENZIE, CHARLEVOIX, CHEBOYGAN, CRAWFORD, EMMET, GRAND TRAVERSE, IOSCO, KALKASKA, LEELANAU, MISSAUKEE, MONTMORENCY, OSCODA, OTSEGO, PRESQUE ISLE AND WEXFORD COUNTIES - Zone

10)  
 Levels A, B or C.....\$ 18.62      12.17  
 Work performed in  
 conjunction with site  
 preparation not requiring  
 the use of personal  
 protective equipment;  
 Also, Level D.....\$ 17.62      12.17

Laborers - hazardous waste  
 abatement: (ALGER, BARAGA,  
 CHIPPEWA, DELTA, DICKINSON,  
 GOGEBIC, HOUGHTON, IRON,  
 KEWEENAW, LUCE, MACKINAC,  
 MARQUETTE, MENOMINEE,  
 ONTONAGON AND SCHOOLCRAFT  
 COUNTIES - Zone 11)

Levels A, B or C.....\$ 23.55      12.20  
 Work performed in  
 conjunction with site  
 preparation not requiring  
 the use of personal  
 protective equipment;  
 Also, Level D.....\$ 22.55      12.20

Laborers - hazardous waste  
 abatement: (ALLEGAN, BARRY,  
 BERRIEN, BRANCH, CALHOUN,  
 CASS, IONIA COUNTY (except  
 the city of Portland);  
 KALAMAZOO, KENT, LAKE,  
 MANISTEE, MASON, MECOSTA,  
 MONTCALM, MUSKEGON, NEWAYGO,  
 OCEANA, OSCEOLA, OTTAWA, ST.  
 JOSEPH AND VAN BUREN COUNTIES  
 - Zone 9)

Levels A, B or C.....\$ 20.33      12.17  
 Work performed in  
 conjunction with site  
 preparation not requiring  
 the use of personal  
 protective equipment;  
 Also, Level D.....\$ 19.33      12.17

Laborers - hazardous waste  
 abatement: (ARENAC, BAY,  
 CLARE, GLADWIN, GRATIOT,  
 HURON, ISABELLA, MIDLAND,  
 OGEMAW, ROSCOMMON, SAGINAW  
 AND TUSCOLA COUNTIES - Zone 8)

Levels A, B or C.....\$ 21.31      12.17  
 Work performed in  
 conjunction with site  
 preparation not requiring  
 the use of personal  
 protective equipment;  
 Also, Level D.....\$ 20.31      12.17

Laborers - hazardous waste  
 abatement: (CLINTON, EATON  
 AND INGHAM COUNTIES; IONIA  
 COUNTY (City of Portland);  
 LIVINGSTON COUNTY (west of  
 Oak Grove Rd., including the  
 City of Howell) - Zone 6)

Levels A, B or C.....\$ 22.21      12.17

Work performed in  
 conjunction with site  
 preparation not requiring  
 the use of personal  
 protective equipment;

Also, Level D.....\$ 21.21      12.17

Laborers - hazardous waste  
 abatement: (GENESEE, LAPEER  
 AND SHIAWASSEE COUNTIES -  
 Zone 7)

Levels A, B or C.....\$ 23.31      12.21

Work performed in  
 conjunction with site  
 preparation not requiring  
 the use of personal  
 protective equipment;

Also, Level D.....\$ 22.31      12.21

Laborers - hazardous waste  
 abatement: (HILLSDALE,  
 JACKSON AND LENAWEЕ COUNTIES  
 - Zone 4)

Levels A, B or C.....\$ 21.92      11.99

Work performed in  
 conjunction with site  
 preparation not requiring  
 the use of personal  
 protective equipment;

Also, Level D.....\$ 20.92      11.99

Laborers - hazardous waste  
 abatement: (LIVINGSTON COUNTY  
 (east of Oak Grove Rd. and  
 south of M-59, excluding the  
 city of Howell); AND  
 WASHTENAW COUNTY - Zone 3)

Levels A, B or C.....\$ 28.19      13.13

Work performed in  
 conjunction with site  
 preparation not requiring  
 the use of personal  
 protective equipment;

Also, Level D.....\$ 27.19      13.13

Laborers - hazardous waste  
 abatement: (MACOMB AND WAYNE  
 COUNTIES - Zone 1)

Levels A, B or C.....\$ 27.34      15.92

Work performed in

conjunction with site preparation not requiring the use of personal protective equipment;		
Also, Level D.....	\$ 26.34	15.92
Laborers - hazardous waste abatement: (MONROE COUNTY - Zone 4)		
Levels A, B or C.....	\$ 29.35	13.49
Work performed in conjunction with site preparation not requiring the use of personal protective equipment;		
Also, Level D.....	\$ 28.35	13.49
Laborers - hazardous waste abatement: (OAKLAND COUNTY and the Northeast portion of LIVINGSTON COUNTY bordered by Oak Grove Road on the West and M-59 on the South - Zone 2)		
Level A, B, C.....	\$ 27.34	15.92
Work performed in conjunction with site preparation not requiring the use of personal protective equipment;		
Also, Level D.....	\$ 26.34	15.92
Laborers - hazardous waste abatement: (SANILAC AND ST. CLAIR COUNTIES - Zone 5)		
Levels A, B or C.....	\$ 24.83	14.61
Work performed in conjunction with site preparation not requiring the use of personal protective equipment;		
Also, Level D.....	\$ 23.83	14.61

-----  
LABO0259-001 09/01/2012

AREA 1: MACOMB, OAKLAND AND WAYNE COUNTIES  
 AREA 2: ALCONA, ALGER, ALLEGAN, ALPENA, ANTRIM, ARENAC, BARAGA,  
 BARRY, BAY, BENZIE, BERRIEN, BRANCH, CALHOUN, CASS, CHARLEVOIX,  
 CHEBOYGAN, CHIPPEWA, CLARE, CLINTON, CRAWFORD, DELTA,  
 DICKINSON, EATON, EMMET, GENESEE, GLADWIN, GOGEBIC, GRAND  
 TRAVERSE, GRATIOT, HILLSDALE, HOUGHTON, HURON, INGHAM, IONIA,  
 IOSCO, IRON, ISABELLA, JACKSON, KALAMAZOO, KALKASKA, KENT,  
 KEWEENAW, LAKE, LAPEER, LEELANAU, LENAWEE, LIVINGSTON, LUCE,  
 MACKINAC, MANISTEE, MARQUETTE, MASON, MECOSTA, MENOMINEE,  
 MIDLAND, MISSAUKEE, MONROE, MONTCALM, MONTMORENCY, MUSKEGON,  
 NEWAYGO, OCEANA, OGEMAW, ONTONAGON, OSCEOLA, OSCODA, OTSEGO,  
 OTTAWA, PRESQUE ISLE, ROSCOMMON, SAGINAW, ST. CLARE, ST.



JOSEPH, SANILAC, SCHOOLCRAFT, SHIAWASSEE, TUSCOLA, VAN BUREN,  
 WASHTENAW AND WEXFORD COUNTIES

Rates Fringes

Laborers - tunnel, shaft and  
 caisson:

AREA 1

GROUP 1.....	\$ 21.37	15.53
GROUP 2.....	\$ 21.48	15.53
GROUP 3.....	\$ 21.54	15.53
GROUP 4.....	\$ 21.72	15.53
GROUP 5.....	\$ 21.97	15.53
GROUP 6.....	\$ 22.30	15.53
GROUP 7.....	\$ 15.58	15.53

AREA 2

GROUP 1.....	\$ 22.43	12.17
GROUP 2.....	\$ 22.52	12.17
GROUP 3.....	\$ 22.62	12.17
GROUP 4.....	\$ 22.78	12.17
GROUP 5.....	\$ 23.04	12.17
GROUP 6.....	\$ 23.35	12.17
GROUP 7.....	\$ 15.62	12.17

SCOPE OF WORK: Tunnel, shaft and caisson work of every type and description and all operations incidental thereto, including, but not limited to, shafts and tunnels for sewers, water, subways, transportation, diversion, sewerage, caverns, shelters, aquifers, reservoirs, missile silos and steel sheeting for underground construction.

TUNNEL LABORER CLASSIFICATIONS

GROUP 1: Tunnel, shaft and caisson laborer, dump, shanty, hog house tender, testing (on gas) and watchman

GROUP 2: Manhole, headwall, catch basin builder, bricklayer tender, mortar machine and material mixer

GROUP 3: Air tool operator (jackhammer, bush hammer and grinder), first bottom, second bottom, cage tender, car pusher, carrier, concrete, concrete form, concrete repair, cement invert laborer, cement finisher, concrete shoveler, conveyor, floor, gasoline and electric tool operator, gunite, grout operator, welder, heading dinky person, inside lock tender, pea gravel operator, pump, outside lock tender, scaffold, top signal person, switch person, track, tugger, utility person, vibrator, winch operator, pipe jacking, wagon drill and air track operator and concrete saw operator (under 40 h.p.)

GROUP 4: Tunnel, shaft and caisson mucker, bracer, liner plate, long haul dinky driver and well point

GROUP 5: Tunnel, shaft and caisson miner, drill runner, key board operator, power knife operator, reinforced steel or mesh (e.g. wire mesh, steel mats, dowel bars, etc.)

GROUP 6: Dynamite and powder

GROUP 7: Restoration laborer, seeding, sodding, planting, cutting, mulching and top soil grading; and the restoration of property such as replacing mailboxes, wood chips, planter boxes, flagstones, etc.

-----  
LABO0334-001 09/01/2012

Rates      Fringes

Laborers - open cut:

ZONE 1 - MACOMB, OAKLAND  
AND WAYNE COUNTIES:

GROUP 1.....	\$ 21.22	15.53
GROUP 2.....	\$ 21.33	15.53
GROUP 3.....	\$ 21.38	15.53
GROUP 4.....	\$ 21.46	15.53
GROUP 5.....	\$ 21.52	15.53
GROUP 6.....	\$ 18.97	15.53
GROUP 7.....	\$ 15.59	15.53

ZONE 2 - LIVINGSTON COUNTY  
(east of M-151 (Oak Grove  
Rd.)); MONROE AND  
WASHTENAW COUNTIES:

GROUP 1.....	\$ 22.08	12.17
GROUP 2.....	\$ 22.19	12.17
GROUP 3.....	\$ 22.31	12.17
GROUP 4.....	\$ 22.38	12.17
GROUP 5.....	\$ 22.53	12.17
GROUP 6.....	\$ 19.83	12.17
GROUP 7.....	\$ 16.47	12.17

ZONE 3 - CLINTON, EATON,  
GENESEE, HILLSDALE AND  
INGHAM COUNTIES; IONIA  
COUNTY (City of Portland);  
JACKSON, LAPEER AND  
LENAWEE COUNTIES;  
LIVINGSTON COUNTY (west of  
M-151 Oak Grove Rd.);  
SANILAC, ST. CLAIR AND  
SHIAWASSEE COUNTIES:

GROUP 1.....	\$ 20.27	12.17
GROUP 2.....	\$ 20.41	12.17
GROUP 3.....	\$ 20.53	12.17
GROUP 4.....	\$ 20.58	12.17
GROUP 5.....	\$ 20.72	12.17
GROUP 6.....	\$ 18.02	12.17
GROUP 7.....	\$ 15.17	12.17

ZONE 4 - ALCONA, ALLEGAN,  
 ALPENA, ANTRIM, ARENAC,  
 BARRY, BAY, BENZIE,  
 BERRIEN, BRANCH,  
 CALHOUN, CASS, CHARLEVOIX,  
 CHEBOYGAN, CLARE,  
 CRAWFORD, EMMET,  
 GLADWIN, GRAND TRAVERSE,  
 GRATIOT AND HURON  
 COUNTIES; IONIA COUNTY  
 (EXCEPT THE CITY OF  
 PORTLAND); IOSCO,  
 ISABELLA, KALAMAZOO,  
 KALKASKA, KENT,  
 LAKE,LEELANAU, MANISTEE,  
 MASON, MECOSTA, MIDLAND,  
 MISSAUKEE, MONTCALM,  
 MONTMORENCY, MUSKEGON,  
 NEWAYGO, OCEANA, OGEMAW,  
 OSCEOLA, OSCODA, OSTEGO,  
 OTTAWA, PRESQUE ISLE,  
 ROSCOMMON, SAGINAW, ST.  
 JOSEPH, TUSCOLA, VAN BUREN  
 AND WEXFORD COUNTIES:

GROUP 1.....	\$ 19.28	12.17
GROUP 2.....	\$ 19.41	12.17
GROUP 3.....	\$ 19.52	12.17
GROUP 4.....	\$ 19.59	12.17
GROUP 5.....	\$ 19.71	12.17
GROUP 6.....	\$ 16.93	12.17
GROUP 7.....	\$ 15.27	12.17

ZONE 5 - ALGER, BARAGA,  
 CHIPPEWA, DELTA,  
 DICKINSON, GOGEBIC,  
 HOUGHTON, IRON,  
 KEWEENAW, LUCE, MACKINAC,  
 MARQUETTE, MENOMINEE,  
 ONTONAGON AND SCHOOLCRAFT  
 COUNTIES:

GROUP 1.....	\$ 19.49	12.17
GROUP 2.....	\$ 19.63	12.17
GROUP 3.....	\$ 19.76	12.17
GROUP 4.....	\$ 19.81	12.17
GROUP 5.....	\$ 19.86	12.17
GROUP 6.....	\$ 17.24	12.17
GROUP 7.....	\$ 15.35	12.17

**SCOPE OF WORK:**

Open cut construction work shall be construed to mean work which requires the excavation of earth including industrial, commercial and residential building site excavation and preparation, land balancing, demolition and removal of concrete and underground appurtenances, grading,

paving, sewers, utilities and improvements; retention, oxidation, flocculation and irrigation facilities, and also including but not limited to underground piping, conduits, steel sheeting for underground construction, and all work incidental thereto, and general excavation. For all areas except the Upper Peninsula, open cut construction work shall also be construed to mean waterfront work, piers, docks, seawalls, breakwalls, marinas and all incidental work. Open cut construction work shall not include any structural modifications, alterations, additions and repairs to buildings, or highway work, including roads, streets, bridge construction and parking lots or steel erection work and excavation for the building itself and back filling inside of and within 5 ft. of the building and foundations, footings and piers for the building. Open cut construction work shall not include any work covered under Tunnel, Shaft and Caisson work.

## OPEN CUT LABORER CLASSIFICATIONS

### GROUP 1: Construction laborer

GROUP 2: Mortar and material mixer, concrete form person, signal person, well point person, manhole, headwall and catch basin builder, headwall, seawall, breakwall and dock builder

GROUP 3: Air, gasoline and electric tool operator, vibrator operator, driller, pump person, tar kettle operator, bracer, rodder, reinforced steel or mesh person (e.g., wire mesh, steel mats, dowel bars, etc.), welder, pipe jacking and boring person, wagon drill and air track operator and concrete saw operator (under 40 h.p.), windlass and tugger person and directional boring person

### GROUP 4: Trench or excavating grade person

GROUP 5: Pipe layer (including crock, metal pipe, multi-plate or other conduits)

GROUP 6: Grouting man, audio-visual television operations and all other operations in connection with closed circuit television inspection, pipe cleaning and pipe relining work and the installation and repair of water service pipe and appurtenances

GROUP 7: Restoration laborer, seeding, sodding, planting, cutting, mulching and top soil grading; and the restoration of property such as replacing mailboxes, wood chips, planter boxes, flagstones, etc.

-----  
LABO0465-001 06/01/2012

LABORER: Highway, Bridge and Airport Construction

AREA 1: GENESEE, MACOMB, MONROE, OAKLAND, WASHTENAW AND WAYNE COUNTIES

AREA 2: ALLEGAN, BARRY, BAY, BERRIEN, BRANCH, CALHOUN, CASS, CLINTON, EATON, GRATIOT, HILLSDALE, HURON, INGHAM, JACKSON, KALAMAZOO, LAPEER, LENAWEE, LIVINGSTON, MIDLAND, MUSKEGON, SAGINAW, SANILAC, SHIAWASSEE, ST. CLAIR, ST. JOSEPH, TUSCOLA AND VAN BUREN COUNTIES

AREA 3: ALCONA, ALPENA, ANTRIM, ARENAC, BENZIE, CHARLEVOIX, CHEBOYGAN, CLARE, CRAWFORD, EMMET, GLADWIN, GRAND TRAVERSE, IONIA, IOSCO, ISABELLA, KALKASKA, KENT, LAKE, LEELANAU, MANISTEE, MASON, MECOSTA, MISSAUKEE, MONTCALM, MONTMORENCY, NEWAYGO, OCEANA, OGEMAW, OSCEOLA, OSCODA, OTSEGO, OTTAWA, PRESQUE ISLE, ROSCOMMON AND WEXFORD COUNTIES

AREA 4: ALGER, BARAGA, CHIPPEWA, DELTA, DICKINSON, GOGEBIC, HOUGHTON, IRON, KEWEENAW, LUCE, MACKINAC, MARQUETTE, MENOMINEE, ONTONAGON AND SCHOOLCRAFT COUNTIES

Rates Fringes

LABORER (AREA 1)

GROUP 1.....	\$ 24.89	12.17
GROUP 2.....	\$ 25.02	12.17
GROUP 3.....	\$ 25.20	12.17
GROUP 4.....	\$ 25.28	12.17
GROUP 5.....	\$ 25.49	12.17
GROUP 6.....	\$ 25.79	12.17

LABORER (AREA 2)

GROUP 1.....	\$ 22.89	12.17
GROUP 2.....	\$ 23.09	12.17
GROUP 3.....	\$ 23.33	12.17
GROUP 4.....	\$ 23.68	12.17
GROUP 5.....	\$ 23.55	12.17
GROUP 6.....	\$ 23.89	12.17

LABORER (AREA 3)

GROUP 1.....	\$ 22.14	12.17
GROUP 2.....	\$ 22.35	12.17
GROUP 3.....	\$ 22.64	12.17
GROUP 4.....	\$ 23.08	12.17
GROUP 5.....	\$ 22.70	12.17
GROUP 6.....	\$ 23.13	12.17

LABORER (AREA 4)

GROUP 1.....	\$ 22.14	12.17
GROUP 2.....	\$ 22.35	12.17
GROUP 3.....	\$ 22.64	12.17
GROUP 4.....	\$ 23.08	12.17
GROUP 5.....	\$ 22.70	12.17
GROUP 6.....	\$ 23.13	12.17

LABORER CLASSIFICATIONS

GROUP 1: Asphalt shoveler or loader; asphalt plant misc.; burlap person; yard person; dumper (wagon, truck, etc.); joint filling laborer; miscellaneous laborer; unskilled laborer; sprinkler laborer; form setting laborer; form stripper; pavement reinforcing; handling and placing (e.g., wire mesh, steel mats, dowel bars); mason's tender or bricklayer's tender on manholes; manhole builder; headwalls, etc.; waterproofing,(other than buildings) seal coating and slurry mix, shoring, underpinning; pressure grouting; bridge pin and hanger removal; material recycling laborer; horizontal paver laborer (brick, concrete, clay, stone and asphalt); ground stabilization and modification laborer; grouting; waterblasting; top person; railroad track and trestle laborer; carpenters' tender; guard rail builders' tender; earth retention barrier and wall and M.S.E. wall installer's tender; highway and median installer's tender(including sound, retaining, and crash barriers); fence erector's tender; asphalt raker tender; sign installer; remote control operated equipment.

GROUP 2: Mixer operator (less than 5 sacks); air or electric tool operator (jackhammer, etc.); spreader; boxperson (asphalt, stone, gravel); concrete paddler; power chain saw operator; paving batch truck dumper; tunnel mucker (highway work only); concrete saw (under 40 h.p.) and dry pack machine; roto-mill grounds person.

GROUP 3: Tunnel miner (highway work only); finishers tenders; guard rail builders; highway and median barrier installer; earth retention barrier and wall and M.S.E. wall installer's (including sound, retaining and crash barriers); fence erector; bottom person; powder person; wagon drill and air track operator; diamond and core drills; grade checker; certified welders; curb and side rail setter's tender.

GROUP 4: Asphalt raker

GROUP 5: Pipe layers, oxy-gun

GROUP 6: Line-form setter for curb or pavement; asphalt screed checker/screw man on asphalt paving machines.

-----  
 \* LABO1076-005 04/01/2013

MICHIGAN STATEWIDE

Rates      Fringes

LABORER (DISTRIBUTION WORK)

Zone 1.....	\$ 18.65	12.46
Zone 2.....	\$ 17.17	12.46
Zone 3.....	\$ 15.40	12.46

Zone 4.....	\$ 14.77	12.46
Zone 5.....	\$ 14.77	12.46

DISTRIBUTION WORK - The construction, installation, treating and reconditioning of distribution pipelines transporting coal, oil, gas or other similar materials, vapors or liquids, including pipelines within private property boundaries, up to and including the meter settings on residential, commercial, industrial, institutional, private and public structures. All work covering pumping stations and tank farms not covered by the Building Trades Agreement. Other distribution lines with the exception of sewer, water and cable television are included.

Underground Duct Layer Pay: \$.40 per hour above the base pay rate.

- Zone 1 - Macomb, Oakland and Wayne
- Zone 2 - Monroe and Washtenaw
- Zone 3 - Bay, Genesee, Lapeer, Midland, Saginaw, Sanilac, Shiawassee and St. Clair
- Zone 4 - Alger, Baraga, Chippewa, Delta, Dickinson, Gogebic, Houghton, Iron, Keweenaw, Luce, Mackinac, Marquette, Menominee, Ontonagon and Schoolcraft
- Zone 5 - Remaining Counties in Michigan

-----  
PAIN0022-002 07/01/2008

HILLSDALE, JACKSON AND LENAWEE COUNTIES; LIVINGSTON COUNTY (east of the eastern city limits of Howell, not including the city of Howell, north to the Genesee County line and south to the Washtenaw County line); MACOMB, MONROE, OAKLAND, WASHTENAW AND WAYNE COUNTIES:

Rates      Fringes

PAINTER.....	\$ 25.06	14.75
--------------	----------	-------

FOOTNOTES: For all spray work and journeyman rigging for spray work, also blowing off, \$0.80 per hour additional (applies only to workers doing rigging for spray work on off the floor work. Does not include setting up or moving rigging on floor surfaces, nor does it apply to workers engaged in covering up or tending spray equipment. For all sandblasting and spray work performed on highway bridges, overpasses, tanks or steel, \$0.80 per hour additional. For all brushing, cleaning and other preparatory work (other than spraying or steeplejack work) at scaffold heights of fifty (50) feet from the ground or higher, \$0.50 per hour additional. For all preparatorial work and painting performed on open steel under forty (40) feet when no scaffolding is involved, \$0.50 per hour additional. For all swing stage work-window jacks and window belts-exterior and

interior, \$0.50 per hour additional. For all spray work and sandblaster work to a scaffold height of forty (40) feet above the floor level, \$0.80 per hour additional. For all preparatorial work and painting on all highway bridges or overpasses up to forty (40) feet in height, \$0.50 per hour additional. For all steeplejack work performed where the elevation is forty (40) feet or more, \$1.25 per hour additional.

-----  
PAIN0312-001 06/01/2012

EXCLUDES: ALLEGAN COUNTY (Townships of Dorr, Fillmore, Heath, Hopkins, Laketown, Leighton, Manlius, Monterey, Overisel, Salem, Saugatuck and Wayland); INCLUDES: Barry, Berrian, Branch, Calhoun, Cass, Hillsdale, Kalamazoo, St. Joseph, Van Buren

Rates Fringes

PAINTER

Brush and roller.....\$ 21.05 11.89  
Spray, Sandblast, Sign  
Painting.....\$ 22.25 11.89

-----  
PAIN0845-003 06/01/2011

CLINTON COUNTY; EATON COUNTY (does not include the townships of Bellevue and Olivet); INGHAM COUNTY; IONIA COUNTY (east of Hwy. M 66); LIVINGSTON COUNTY (west of the eastern city limits of Howell, including the city of Howell, north to the Genesee County line and south to the Washtenaw County line); AND SHIAWASSEE COUNTY (Townships of Bennington, Laingsbury and Perry):

Rates Fringes

PAINTER.....\$ 20.74 11.50

-----  
PAIN0845-015 06/01/2011

MUSKEGON COUNTY; NEWAYGO COUNTY (except the Townships of Barton, Big Prairie, Brooks, Croton, Ensley, Everett, Goodwell, Grant, Home, Monroe, Norwich and Wilcox); OCEANA COUNTY; OTTAWA COUNTY (except the townships of Allendale, Blendone, Chester, Georgetown, Holland, Jamestown, Olive, Park, Polkton, Port Sheldon, Tallmadge, Wright and Zeeland):

Rates Fringes

PAINTER.....\$ 20.74 11.50  
-----



PAIN0845-018 06/01/2011

ALLEGAN COUNTY (Townships of Dorr, Fillmore, Heath, Hopkins, Laketown, Leighton, Manlius, Monterey, Overisel, Salem, Saugatuck and Wayland); IONIA COUNTY (west of Hwy. M-66); KENT, MECOSTA AND MONTCALM COUNTIES; NEWAYGO COUNTY (Townships of Barton, Big Prairie, Brooks, Croton, Ensley, Everett, Goodwell, Grant, Home, Monroe, Norwich and Wilcox); OSCEOLA COUNTY (south of Hwy. #10); OTTAWA COUNTY (Townships of Allendale, Blendone, Chester, Georgetown, Holland, Jamestown, Olive, Park, Polkton, Port Sheldon, Tallmadge, Wright and Zeeland):

Rates Fringes

PAINTER.....\$ 20.74 11.50

FOOTNOTES: Lead abatement work: \$1.00 per hour additional.

-----  
PAIN1011-003 06/17/2012

ALGER, BARAGA, CHIPPEWA, DELTA, DICKINSON, GOGEBIC, HOUGHTON, IRON, KEWEENAW, LUCE, MACKINAC, MARQUETTE, MENOMINEE, ONTONAGON AND SCHOOLCRAFT COUNTIES:

Rates Fringes

PAINTER.....\$ 24.00 9.56

FOOTNOTES: High pay (bridges, overpasses, watertower): 30 to 80 ft.: \$.65 per hour additional. 80 ft. and over: \$1.30 per hour additional.

-----  
PAIN1474-002 06/01/2010

HURON COUNTY; LAPEER COUNTY (east of Hwy. M-53); ST. CLAIR, SANILAC AND TUSCOLA COUNTIES:

Rates Fringes

PAINTER.....\$ 23.79 12.02

FOOTNOTES: Lead abatement work: \$1.00 per hour additional. Work with any hazardous material: \$1.00 per hour additional. Sandblasting, steam cleaning and acid cleaning: \$1.00 per hour additional. Ladder work at or above 40 ft., scaffold work at or above 40 ft., swing stage, boatswain chair, window jacks and all work performed over a falling height of 40 ft.: \$1.00 per hour additional. Spray gun work, pick pullers and those handling needles, blowing off by air pressure, and any person rigging (setting up and moving off the ground): \$1.00 per hour additional.

Steeplejack, tanks, gas holders, stacks, flag poles, radio towers and beacons, power line towers, bridges, etc.: \$1.00 per hour additional, paid from the ground up.

-----  
PAIN1803-003 07/23/2012

ALCONA, ALPENA, ANTRIM, ARENAC, BAY, BENZIE, CHARLEVOIX, CHEBOYGAN, CLARE, CRAWFORD, EMMET, GLADWIN, GRAND TRAVERSE, GRATIOT, IOSCO, ISABELLA, KALKASKA, LAKE, LEELANAU, MANISTEE, MASON, MIDLAND, MISSAUKEE, MONTMORENCY AND OGEMAW COUNTIES; OSCEOLA COUNTY (north of Hwy. #10); OSCODA, OTSEGO, PRESQUE ISLE, ROSCOMMON, SAGINAW AND WEXFORD COUNTIES:

Rates Fringes

PAINTER

Work performed on water, bridges over water or moving traffic, radio and powerline towers, elevated tanks, steeples, smoke stacks over 40 ft. of falling heights, recovery of lead-based paints and any work associated with industrial plants, except maintenance of industrial

plants.....\$ 22.85 12.30  
All other work, including maintenance of industrial plant.....\$ 21.78 10.75

FOOTNOTES: Spray painting, sandblasting, blowdown associated with spraying and blasting, water blasting and work involving a swing stage, boatswain chair or spider: \$1.00 per hour additional. All work performed inside tanks, vessels, tank trailers, railroad cars, sewers, smoke stacks, boilers or other spaces having limited egress not including buildings, opentop tanks, pits, etc.: \$1.25 per hour additional.

-----  
PLAS0514-001 06/01/2012

ZONE 1: GENESEE, LIVINGSTON, MACOMB, MONROE, OAKLAND, SAGINAW, WASHTENAW AND WAYNE COUNTIES

ZONE 2: ALCONA, ALGER, ALLEGAN, ALPENA, ANTRIM, ARENAC, BARAGO, BARRY, BAY, BENZIE, BERRIEN, BRANCH, CALHOUN, CASS, CHARLEVOIX, CHEBOYGAN, CHIPPEWA, CLARE, CLINTON, CRAWFORD, DELTA, DICKINSON, EATON, EMMET, GLADWIN, GOGEBIC, GRAND TRAVERSE, GRATIOT, HILLSDALE, HOUGHTON, HURON, INGHAM, IONIA, IOSCO, IRON, ISABELLA, JACKSON, KALAMAZOO, KALKASKA, KENT, KEWEENAW,

LAKE, LAPEER, LEELANAU, LENAWEE, LUCE, MACKINAC, MANISTEE,  
 MARQUETTE, MASON, MECOSTA, MENOMINEE, MIDLAND, MISSAUKEE,  
 MONTCALM, MONTMORENCY, MUSKEGON, NEWAYGO, OCEANA, OGEMAW,  
 ONTONAGON, OSCEOLA, OSCODA, OSTEGO, OTTAWA, PRESQUE ISLE,  
 ROSCOMMON, SANILAC, SCHOOLCRAFT, SHIAWASEE, ST. CLAIR, ST.  
 JOSEPH, TUSCOLA, VAN BUREN AND WEXFORD COUNTIES

Rates Fringes

CEMENT MASON/CONCRETE FINISHER  
 ZONE 1.....\$ 29.03 12.05  
 ZONE 2.....\$ 27.53 12.05

-----  
 PLUM0190-003 05/01/2010

ALCONA, ALGER, ALLEGAN, ALPENA, ANTRIM, ARENAC, BARAGA, BARRY,  
 BAY, BENZIE, BERRIEN, BRANCH, CALHOUN, CASS, CHARLEVOIX,  
 CHEBOYGAN, CHIPPEWA, CLARE, CLINTON, CRAWFORD, DELTA,  
 DICKINSON, EATON, EMMET, GENESEE, GLADWIN, GOGEBIC, GRAND  
 TRAVERSE, GRATIOT, HILLSDALE, HOUGHTON, HURON, INGHAM, IONIA,  
 IOSCO, IRON, ISABELLA, JACKSON, KALAMAZOO, KALKASKA, KENT,  
 KEWEENAW, LAKE, LAPEER, LEELANAU, LENAWEE, LIVINGSTON, LUCE,  
 MACKINAC, MACOMB, MANISTEE, MARQUETTE, MASON, MECOSTA,  
 MENOMINEE, MIDLAND, MISSAUKEE, MONTCALM, MONTMORENCY, MONROE,  
 MUSKEGON, NEWAYGO, OAKLAND, OCEANA, OGEMAW, ONTONAGON, OSCEOLA,  
 OSCODA, OTSEGO, OTTAWA, PRESQUE ISLE, ROSCOMMON, SAGINAW, ST.  
 CLARE, ST. JOSEPH, SANILAC, SCHOOLCRAFT, SHIAWASSEE, TUSCOLA,  
 VAN BUREN, WASHTENAW, WAYNE AND WEXFORD COUNTIES

Rates Fringes

Plumber/Pipefitter - gas  
 distribution pipeline:  
 Welding in conjunction  
 with gas distribution  
 pipeline work.....\$ 27.68 18.29  
 All other work:.....\$ 20.72 11.15

-----  
 SUMI2002-001 05/01/2002

Rates Fringes

Flag Person.....\$ 7.25  
  
 LINE PROTECTOR (ZONE 1:  
 GENESEE, MACOMB, MONROE,  
 OAKLAND, WASHTENAW AND WAYNE)....\$ 18.98 9.57  
  
 LINE PROTECTOR (ZONE 2:  
 STATEWIDE (EXCLUDING GENESEE,  
 MACOMB, MONROE, OAKLAND,  
 WASHTENAW AND WAYNE).....\$ 17.14 10.02

Pavement Marking Machine  
(ZONE 1: GENESEE, MACOMB,  
MONROE, OAKLAND, WASHTENAW  
AND WAYNE COUNTIES)  
Group 1.....\$ 23.72 9.57

Pavement Marking Machine  
(ZONE 1: GENESEE, MACOMB,  
MONROE, OAKLAND, WASHTENAW  
AND WAYNE)  
Group 2.....\$ 21.35 9.57

Pavement Marking Machine  
(ZONE 2: STATEWIDE (EXCLUDING  
GENESEE, MACOMB, MONROE,  
OAKLAND, WASHTENAW AND WAYNE  
COUNTIES)  
Group 1.....\$ 21.42 10.02

Pavement Marking Machine  
(ZONE 2: STATEWIDE (EXCLUDING  
GENESEE, MACOMB, MONROE,  
OAKLAND, WASHTENAW AND WAYNE)  
Group 2.....\$ 19.28 10.02

**WORK CLASSIFICATIONS:**

**PAVEMENT MARKER GROUP 1:** Drives or operates a truck mounted striper, grinder, blaster, groover, or thermoplastic melter for the placement or removal of temporary or permanent pavement markings or markers.

**PAVEMENT MARKER GROUP 2:** Performs all functions involved for the placement or removal of temporary or permanent pavement markings or markers not covered by the classification of Pavement Marker Group 1 or Line Protector.

**LINE PROTECTOR:** Performs all operations for the protection or removal of temporary or permanent pavement markings or markers in a moving convoy operation not performed by the classification of Pavement Marker Group 1. A moving convoy operation is comprised of only Pavement Markers Group 1 and Line Protectors.

-----  
TEAM0007-004 06/01/2012

AREA 1: ALCONA, ALGER, ALLEGAN, ALPENA, ANTRIM, ARENAC, BARAGO, BARRY, BAY, BENZIE, BERRIEN, BRANCH, CALHOUN, CASS, CHARLEVOIX, CHEBOYGAN, CHIPPEWA, CLARE, CLINTON, CRAWFORD, DELTA, DICKINSON, EATON, EMMET, GLADWIN, GOGEBIC, GRAND TRAVERSE, GRATIOT, HILLSDALE, HOUGHTON, HURON, INGHAM, IONIA, IOSCO, IRON, ISABELLA, JACKSON, KALAMAZOO, KALKASKA, KENT, KEWEENAW, LAKE, LAPEER, LEELANAU, LENAWEE, LUCE, MACKINAC, MANISTEE,

MARQUETTE, MASON, MECOSTA, MENOMINEE, MIDLAND, MISSAUKEE,  
 MONTCALM, MONTMORENCY, MUSKEGON, NEWAYGO, OCEANA, OGEMAW,  
 ONTONAGON, OSCEOLA, OSCODA, OSTEGO, OTTAWA, PRESQUE ISLE,  
 ROSCOMMON, SAGINAW, SANILAC, SCHOOLCRAFT, SHIAWASEE, ST. CLAIR,  
 ST. JOSEPH, TUSCOLA, VAN BUREN AND WEXFORD COUNTIES

AREA 2: GENESEE, LIVINGSTON, MACOMB, MONROE, OAKLAND, WASHTENAW  
 AND WAYNE COUNTIES

Rates Fringes

TRUCK DRIVER

AREA 1

Euclids, double bottoms  
 and lowboys.....\$ 24.795 .50 + a+b  
 Trucks under 8 cu. yds.....\$ 24.895 .50 + a+b  
 Trucks, 8 cu. yds. and  
 over.....\$ 25.045 .50 + a+b

AREA 2

Euclids, double bottomms  
 and lowboys.....\$ 24.895 .50 + a+b  
 Trucks under 8 cu. yds.....\$ 24.995 .50 + a+b  
 Trucks, 8 cu. yds. and  
 over.....\$ 25.145 .50 + a+b

Footnote:

- a. \$351.00 per week
- b. \$49.90 daily

-----  
 TEAM0247-004 06/01/2004

AREA 1: ALCONA, ALGER, ALLEGAN, ALPENA, ANTRIM, ARENAC, BARAGO,  
 BARRY, BAY, BENZIE, BERRIEN, BRANCH, CALHOUN, CASS, CHARLEVOIX,  
 CHEBOYGAN, CHIPPEWA, CLARE, CLINTON, CRAWFORD, DELTA,  
 DICKINSON, EATON, EMMET, GLADWIN, GOGEBIC, GRAND TRAVERSE,  
 GRATIOT, HILLSDALE, HOUGHTON, HURON, INGHAM, IONIA, IOSCO,  
 IRON, ISABELLA, JACKSON, KALAMAZOO, KALKASKA, KENT, KEWEENAW,  
 LAKE, LAPEER, LEELANAU, LENAWEE, LUCE, MACKINAC, MANISTEE,  
 MARQUETTE, MASON, MECOSTA, MENOMINEE, MIDLAND, MISSAUKEE,  
 MONTCALM, MONTMORENCY, MUSKEGON, NEWAYGO, OCEANA, OGEMAW,  
 ONTONAGON, OSCEOLA, OSCODA, OSTEGO, OTTAWA, PRESQUE ISLE,  
 ROSCOMMON, SANILAC, SCHOOLCRAFT, SHIAWASEE, ST. CLAIR, ST.  
 JOSEPH, TUSCOLA, VAN BUREN AND WEXFORD COUNTIES

AREA 2: GENESEE, MACOMB, MONROE, OAKLAND, WASHTENAW AND WAYNE  
 COUNTIES

Rates Fringes

Sign Installer

AREA 1

GROUP 1.....\$ 20.18 .15 + a

GROUP 2.....	\$ 19.93	.15 + a
AREA 2		
GROUP 1.....	\$ 21.73	.15 + a
GROUP 2.....	\$ 21.48	.15 + a

FOOTNOTE:

a. \$132.70 per week, plus \$17.80 per day.

SIGN INSTALLER CLASSIFICATION:S

GROUP 1: performs all necessary labor and uses all tools required to construct and set concrete forms required in the installation of highway and street signs

GROUP 2: performs all miscellaneous labor, uses all hand and power tools, and operates all other equipment, mobile or otherwise, required for the installation of highway and street signs

-----  
TEAM0247-010 04/01/2013

AREA 1: LAPEER AND SHIAWASSEE COUNTIES

AREA 2: GENESEE, MACOMB, MONROE, OAKLAND, ST. CLAIR, WASHTENAW AND WAYNE COUNTIES

Rates      Fringes

TRUCK DRIVER (Underground construction)

AREA 1	
GROUP 1.....	\$ 21.97358.65/wk+55.00/day
GROUP 2.....	\$ 22.06358.65/wk+55.00/day
GROUP 3.....	\$ 22.27358.65/wk+55.00/day
AREA 2	
GROUP 1.....	\$ 22.27358.65/wk+55.00/day
GROUP 2.....	\$ 22.41358.65/wk+55.00/day
GROUP 3.....	\$ 22.60358.65/wk+55.00/day

PAID HOLIDAYS: New Year's Day, Memorial Day, Fourth of July, Labor Day, Thanksgiving Day and Christmas Day.

SCOPE OF WORK: Excavation, site preparation, land balancing, grading, sewers, utilities and improvements; also including but not limited to, tunnels, underground piping, retention, oxidation, flocculation facilities, conduits, general excavation and steel sheeting for underground construction. Underground construction work shall not include any structural modifications, alterations, additions and repairs to buildings or highway work, including roads, streets, bridge construction and parking

lots or steel erection.

## TRUCK DRIVER CLASSIFICATIONS

GROUP 1: Truck driver on all trucks (EXCEPT dump trucks of 8 cubic yards capacity or over, pole trailers, semis, low boys, Euclid, double bottom and fuel trucks)

GROUP 2: Truck driver on dump trucks of 8 cubic yards capacity or over, pole trailers, semis and fuel trucks

GROUP 3: Truck driver on low boy, Euclid and double bottom

-----

WELDERS - Receive rate prescribed for craft performing operation to which welding is incidental.

=====

Unlisted classifications needed for work not included within the scope of the classifications listed may be added after award only as provided in the labor standards contract clauses (29CFR 5.5 (a) (1) (ii)).

-----

The body of each wage determination lists the classification and wage rates that have been found to be prevailing for the cited type(s) of construction in the area covered by the wage determination. The classifications are listed in alphabetical order of "identifiers" that indicate whether the particular rate is union or non-union.

### Union Identifiers

An identifier enclosed in dotted lines beginning with characters other than "SU" denotes that the union classification and rate have found to be prevailing for that classification. Example: PLUM0198-005 07/01/2011. The first four letters, PLUM, indicate the international union and the four-digit number, 0198, that follows indicates the local union number or district council number where applicable, i.e., Plumbers Local 0198. The next number, 005 in the example, is an internal number used in processing the wage determination. The date, 07/01/2011, following these characters is the effective date of the most current negotiated rate/collective bargaining agreement which would be July 1, 2011 in the above example.

Union prevailing wage rates will be updated to reflect any

changes in the collective bargaining agreements governing the rates.

0000/9999: weighted union wage rates will be published annually each January.

### Non-Union Identifiers

Classifications listed under an "SU" identifier were derived from survey data by computing average rates and are not union rates; however, the data used in computing these rates may include both union and non-union data. Example: SULA2004-007 5/13/2010. SU indicates the rates are not union majority rates, LA indicates the State of Louisiana; 2004 is the year of the survey; and 007 is an internal number used in producing the wage determination. A 1993 or later date, 5/13/2010, indicates the classifications and rates under that identifier were issued as a General Wage Determination on that date.

Survey wage rates will remain in effect and will not change until a new survey is conducted.

---

### WAGE DETERMINATION APPEALS PROCESS

1.) Has there been an initial decision in the matter? This can be:

- \* an existing published wage determination
- \* a survey underlying a wage determination
- \* a Wage and Hour Division letter setting forth a position on a wage determination matter
- \* a conformance (additional classification and rate) ruling

On survey related matters, initial contact, including requests for summaries of surveys, should be with the Wage and Hour Regional Office for the area in which the survey was conducted because those Regional Offices have responsibility for the Davis-Bacon survey program. If the response from this initial contact is not satisfactory, then the process described in 2.) and 3.) should be followed.

With regard to any other matter not yet ripe for the formal process described here, initial contact should be with the Branch of Construction Wage Determinations. Write to:

Branch of Construction Wage Determinations  
Wage and Hour Division  
U.S. Department of Labor  
200 Constitution Avenue, N.W.



Washington, DC 20210

2.) If the answer to the question in 1.) is yes, then an interested party (those affected by the action) can request review and reconsideration from the Wage and Hour Administrator (See 29 CFR Part 1.8 and 29 CFR Part 7). Write to:

Wage and Hour Administrator  
U.S. Department of Labor  
200 Constitution Avenue, N.W.  
Washington, DC 20210

The request should be accompanied by a full statement of the interested party's position and by any information (wage payment data, project description, area practice material, etc.) that the requestor considers relevant to the issue.

3.) If the decision of the Administrator is not favorable, an interested party may appeal directly to the Administrative Review Board (formerly the Wage Appeals Board). Write to:

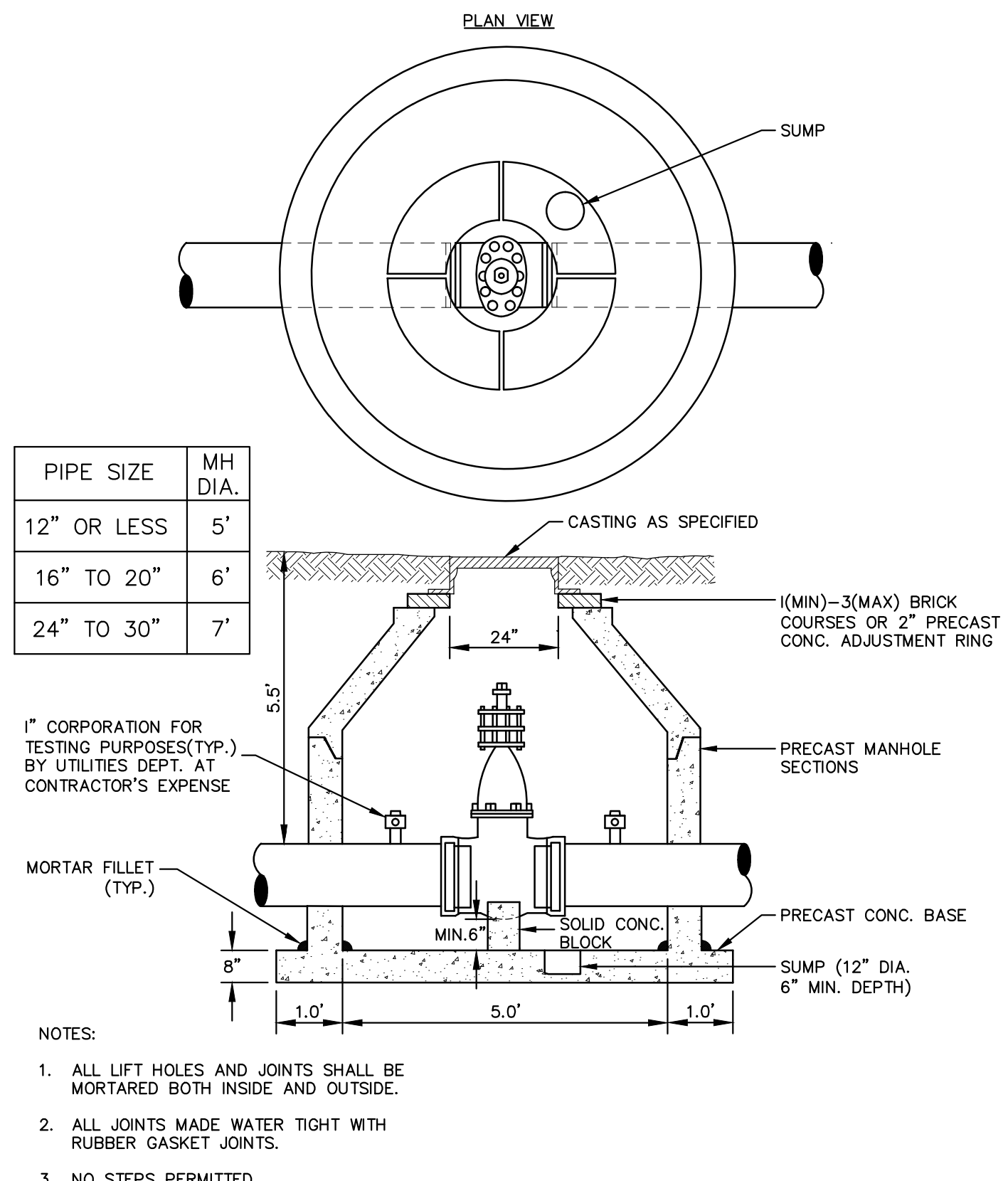
Administrative Review Board  
U.S. Department of Labor  
200 Constitution Avenue, N.W.  
Washington, DC 20210

4.) All decisions by the Administrative Review Board are final.

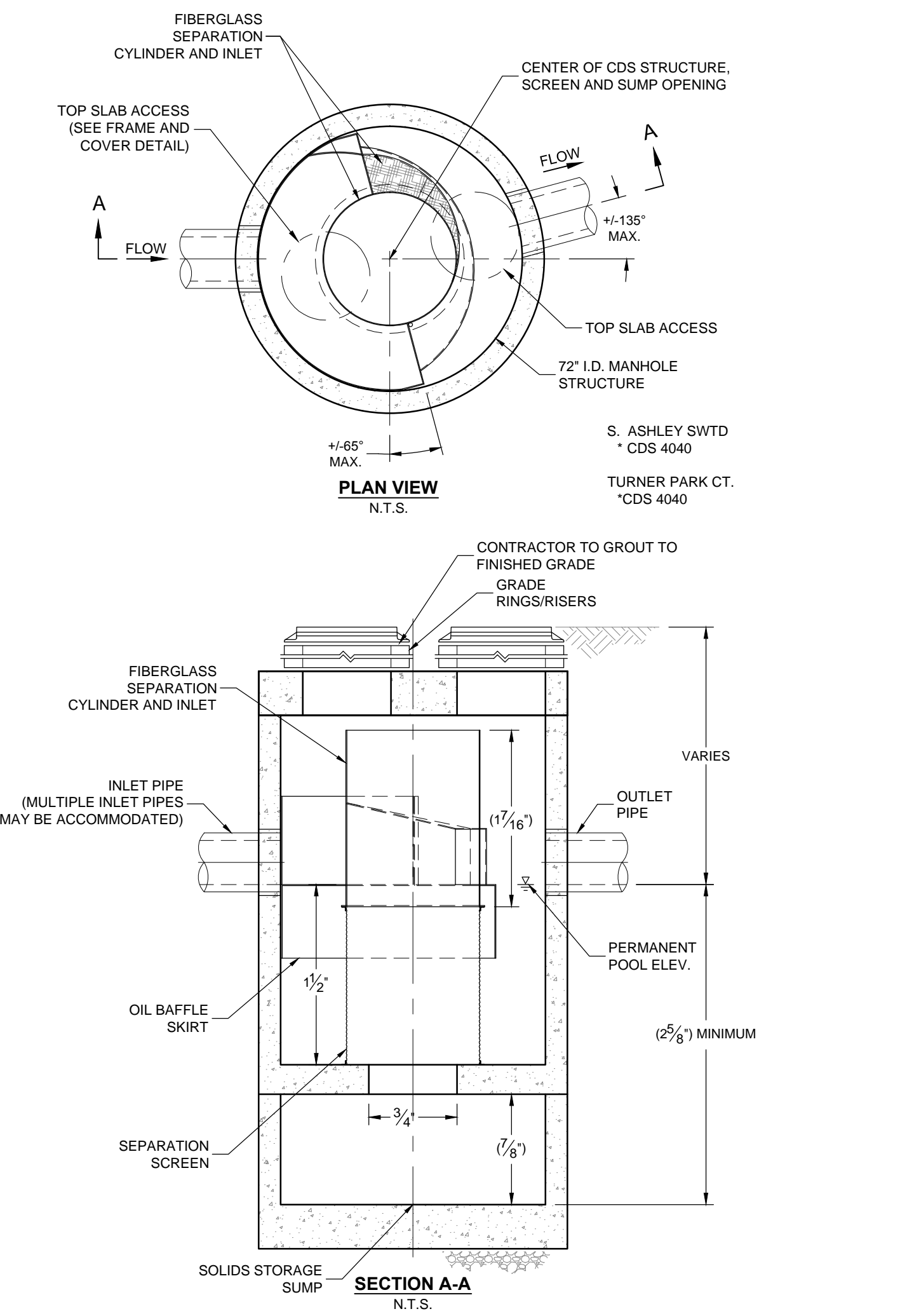
=====

END OF GENERAL DECISION

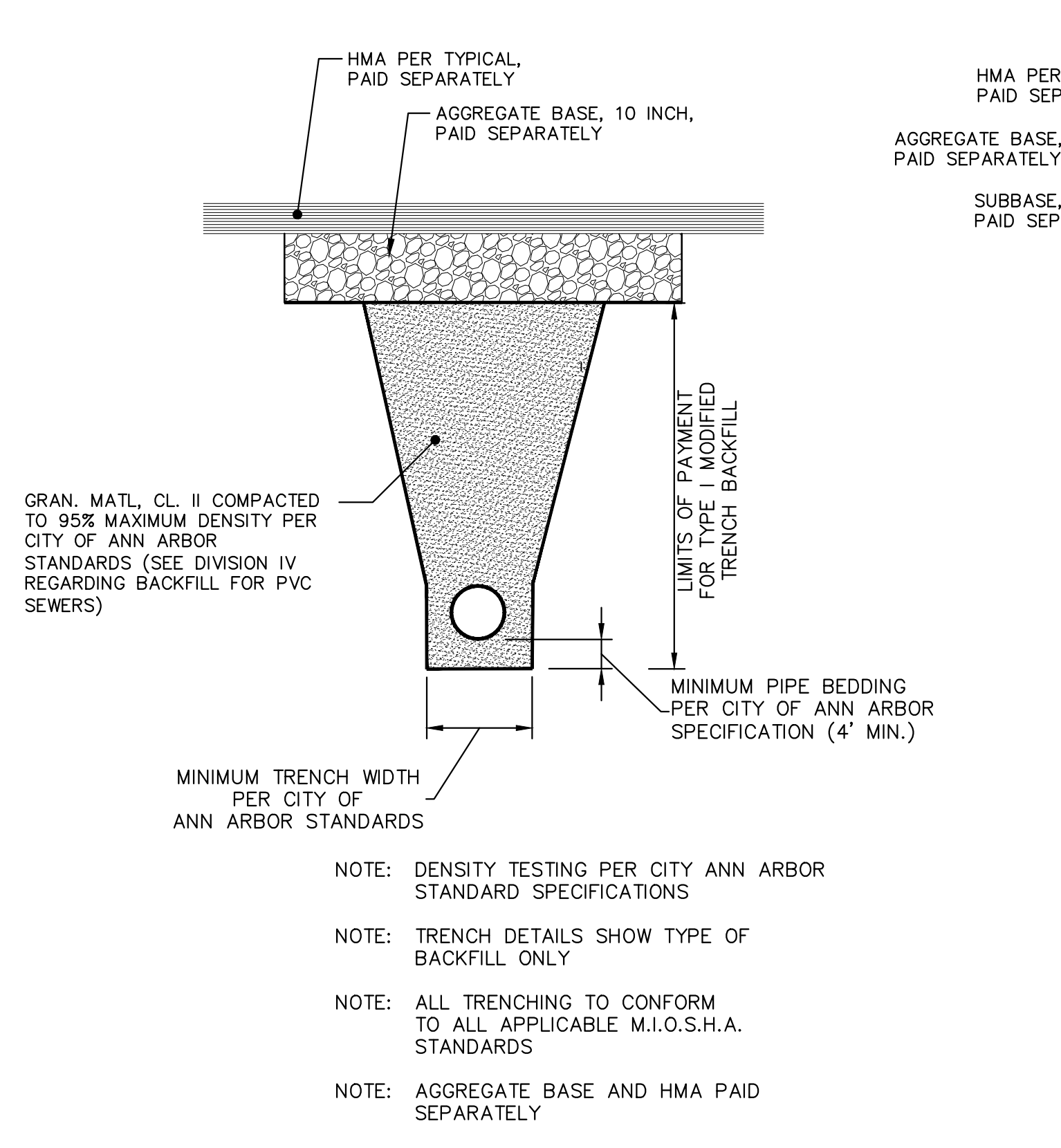
S:\Project Management\Design\2012027 Madison\Plan Production\Primary\2012027DET.dwg Dwg Created: 16-Aug-12 - 02 standard bw.stb - Plot Date: 30-Apr-13



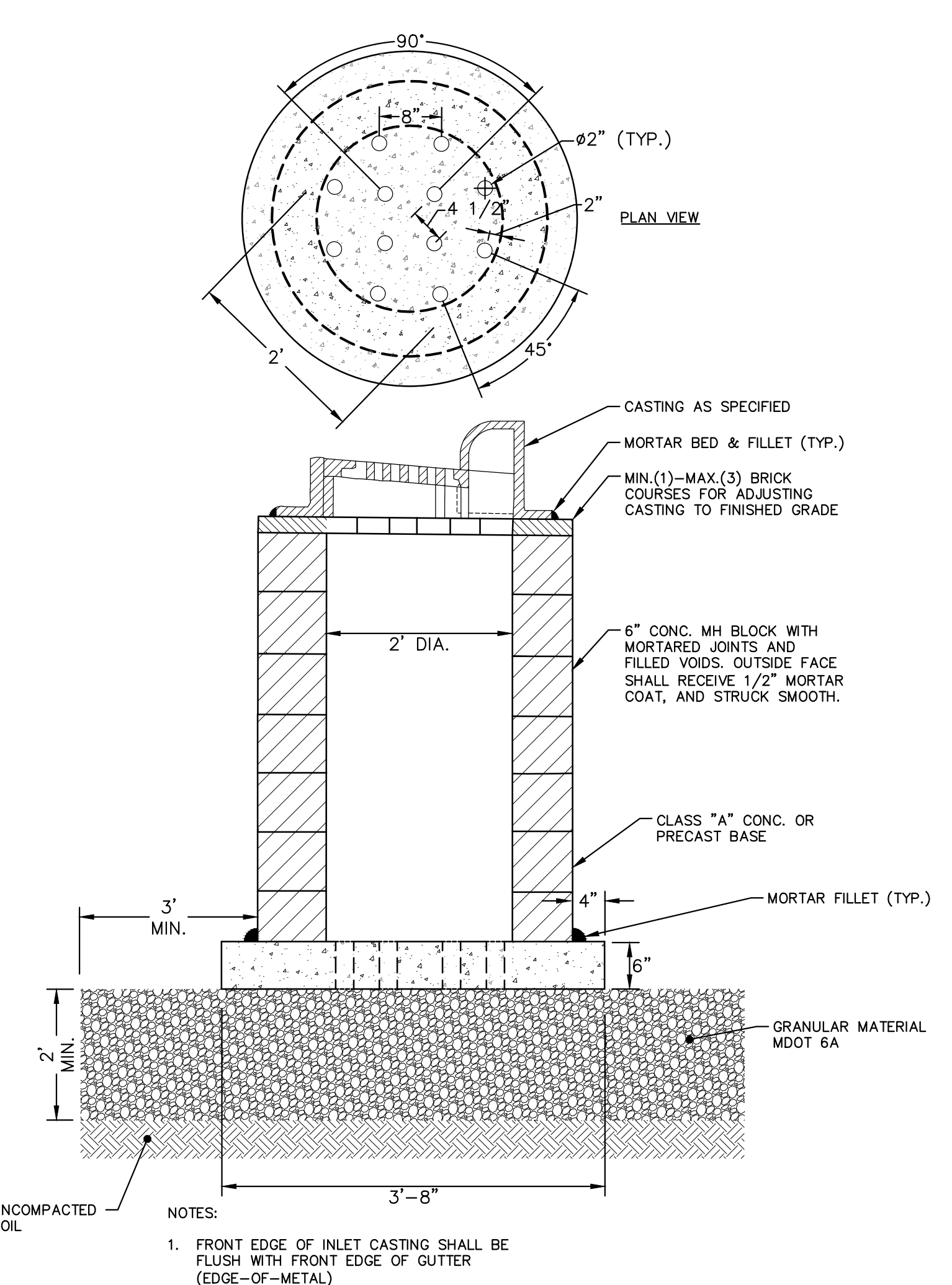
**GATE WELL FOR MAIN 16" & SMALLER SD-W-3**



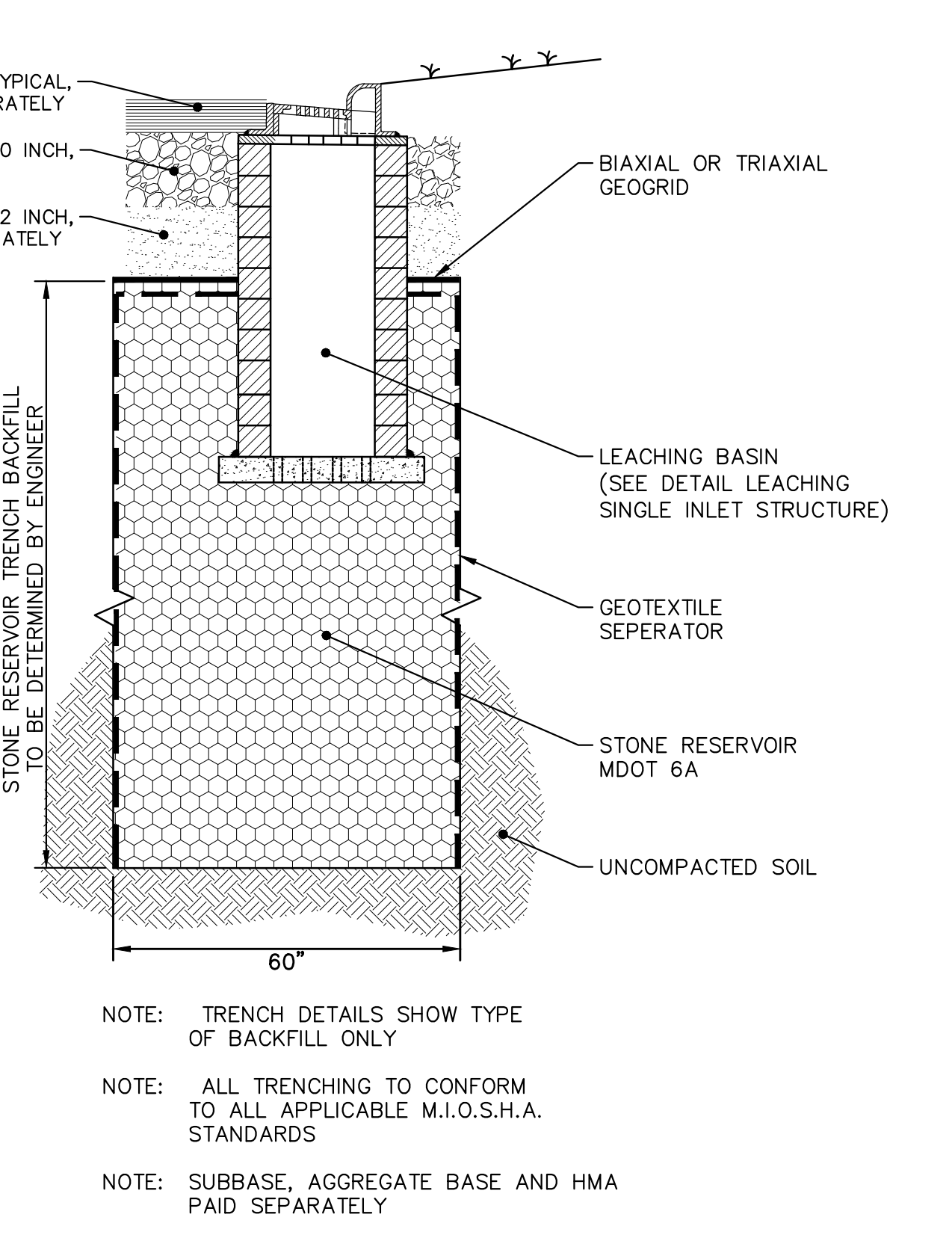
**CDS STORM WATER TREATMENT DEVICE, 72" DIA.**



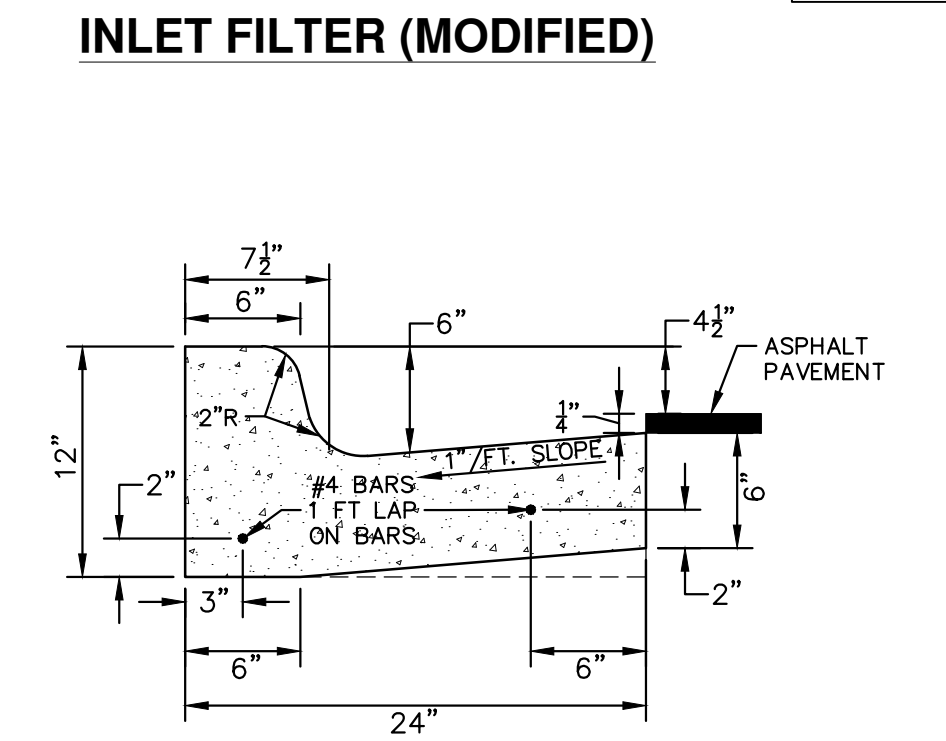
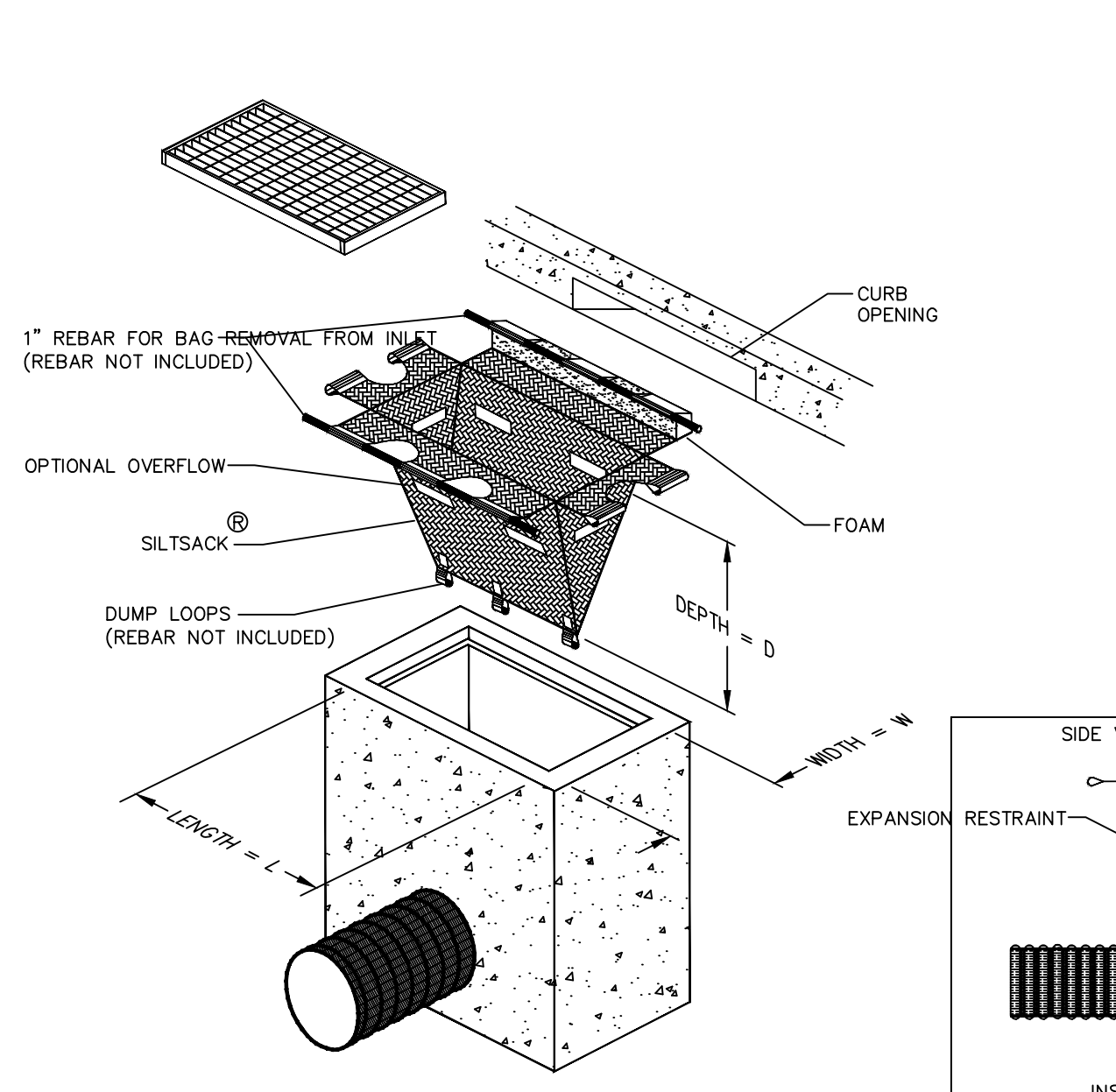
**UTILITY TRENCH - TYPE I MODIFIED**



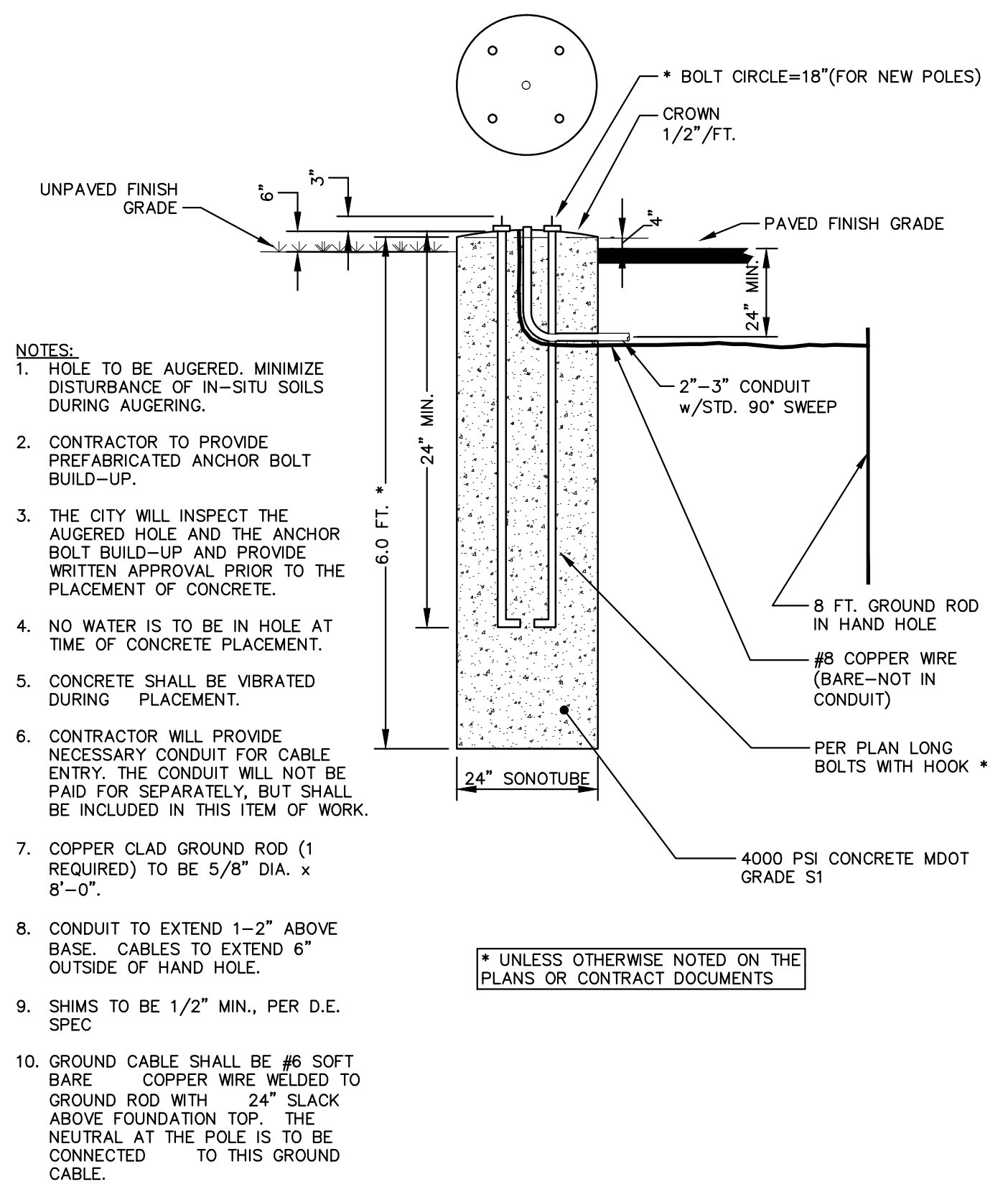
**LEACHING SINGLE INLET STRUCTURE**



**STONE RESERVOIR TRENCH DETAIL**



**BARRIER CURB AND GUTTER SD-R-1**



**STREETLIGHT FOUNDATION SD-SL-1**

**SILTSACK® SPECIFICATIONS**

REGULAR FLOW SILTSACK®  
(FOR AREAS OF LOW TO MODERATE PRECIPITATION AND RUN-OFF)

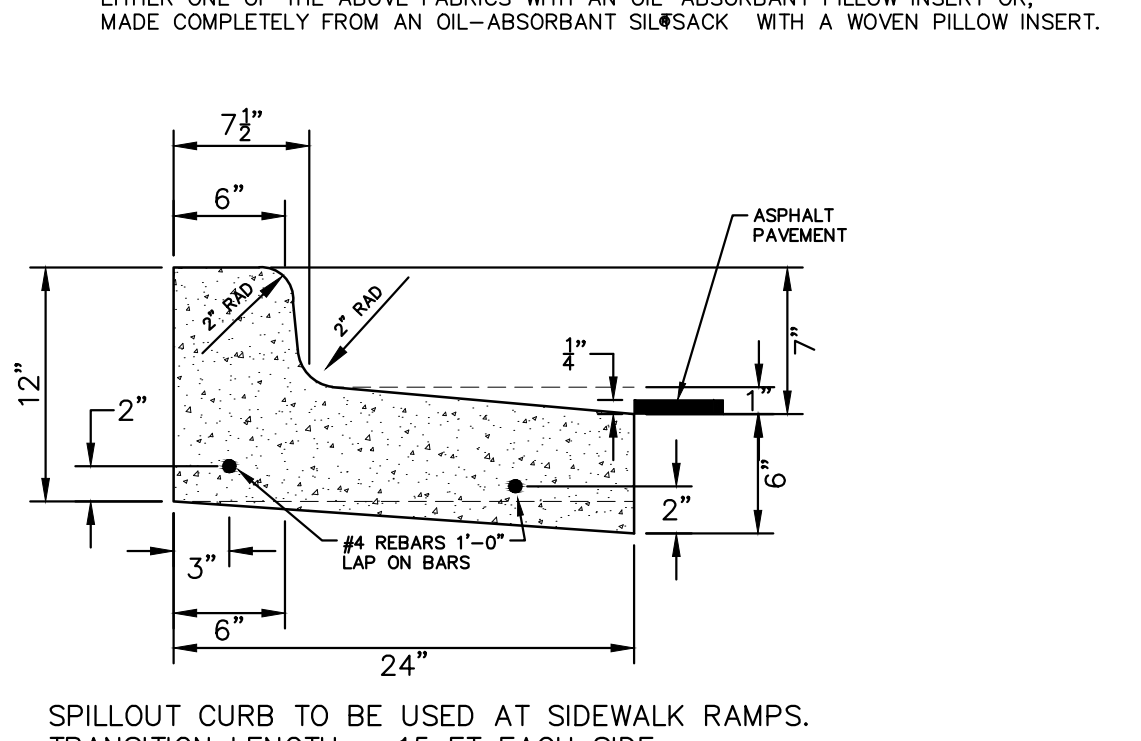
PROPERTIES	REQUIRED VALUE	TEST METHOD
GRAB TENSILE STRENGTH	ASTM D-4632	300 LBS
GRAB TENSILE ELONGATION	ASTM D-4632	20%
PUNCTURE	ASTM D-4833	120 LBS
MULLEN BURST	ASTM D-3786	800 PSI
TRAPEZOID TEAR	ASTM D-4533	120 LBS
UV RESISTANCE	ASTM D-4355	80%
APPARENT OPENING SIZE	ASTM D-4751	40 US SIEVE
FLOW RATE PERMITTIVITY	ASTM D-4491	40 GAL/MIN/SQ FT 0.55 SEC <sup>-1</sup>

HI-FLOW SILTSACK®  
(FOR AREAS OF MODERATE TO HEAVY PRECIPITATION AND RUN-OFF)

PROPERTIES	REQUIRED VALUE	TEST METHOD
GRAB TENSILE STRENGTH	ASTM D-4632	265 LBS
GRAB TENSILE ELONGATION	ASTM D-4632	20%
PUNCTURE	ASTM D-4833	135 LBS
MULLEN BURST	ASTM D-3786	420 PSI
TRAPEZOID TEAR	ASTM D-4533	45 LBS
UV RESISTANCE	ASTM D-4355	90%
APPARENT OPENING SIZE	ASTM D-4751	20 US SIEVE
FLOW RATE PERMITTIVITY	ASTM D-4491	200 GAL/MIN/SQ FT 1.5 SEC <sup>-1</sup>

OIL-ABSORBANT SILTSACK®  
(FOR AREAS WHERE THERE IS A CONCERN FOR OIL RUN-OFF OR SPILLS)

DEPENDING ON YOUR PARTICULAR APPLICATION, THE SILTSACK® CAN BE MADE FROM EITHER ONE OF THE ABOVE FABRICS WITH AN OIL-ABSORBANT FILLING INSERT OR MADE COMPLETELY FROM AN OIL-ABSORBANT SILTSACK WITH A WOVEN FILLING INSERT.



**SPILL-OUT BARRIER CURB & GUTTER SD-R-3**

Know what's below. Call before you dig.

REV.	DATE	DRAWN	CHECKED	DESCRIPTION
02	4-30-13	CEC	DFP/CEC	ADDENDUM 1
01	4-16-13	DFP/CEC	DFP/CEC	OUT FOR BID
00	12-19-12	DFP/CEC	DFP/CEC	MOEQ SUBMITTAL
				REV.

**CITY OF ANN ARBOR**  
 PUBLIC SERVICES  
 301 EAST HURON STREET  
 ANN ARBOR, MI 48106-1410  
 www.a2gov.org

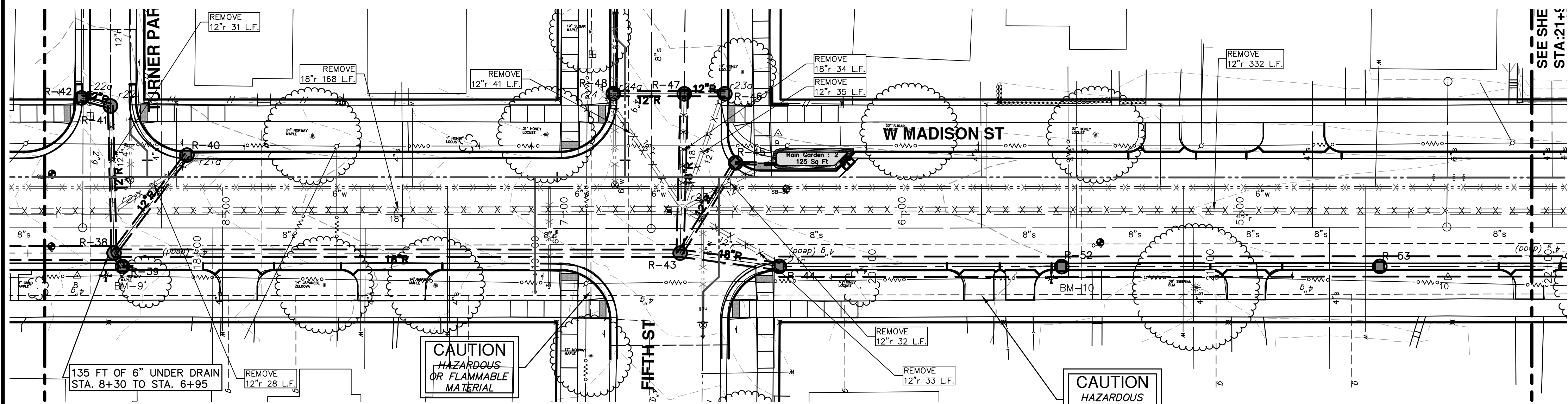
**PROJECT MANAGEMENT - PUBLIC SERVICES - CITY OF ANN ARBOR**  
**WEST MADISON STREET IMPROVEMENTS**

SCALE: N.T.S.  
 DRAWING No. 2012027-05  
 SHEET No. 05 OF 49



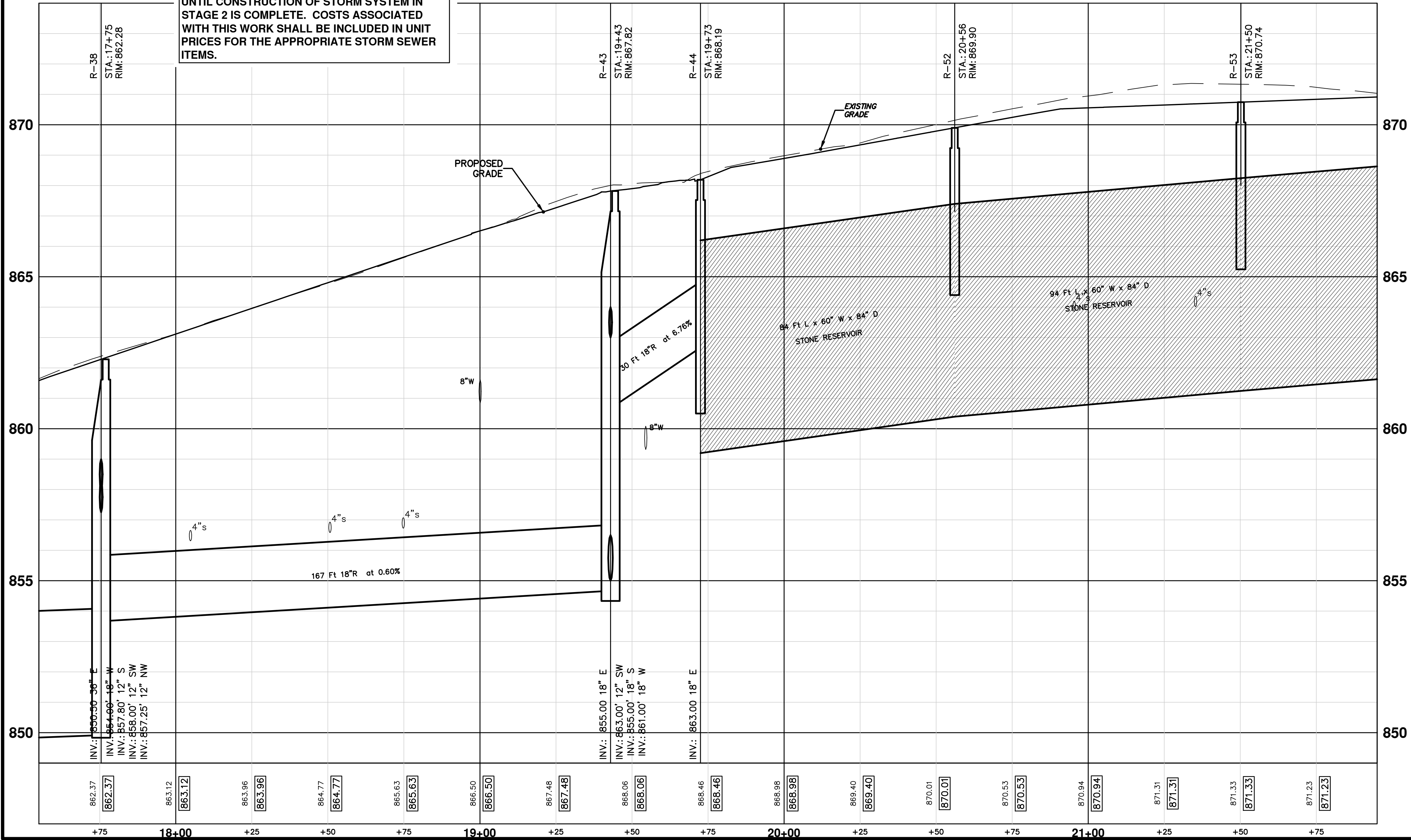


S:\Project Management\Design\20120275\TRM.dwg Dwg Created: 7-Sep-12 - \_a2\_standard bw.stb - Plot Date: 30-Apr-13



THE CONTRACTOR SHALL SUBMIT TEMPORARY DRAINAGE CONTROL PLAN FOR MAINTAINING STORM RUN-OFF FROM STAGE 1 CONSTRUCTION UNTIL CONSTRUCTION OF STORM SYSTEM IN STAGE 2 IS COMPLETE. COSTS ASSOCIATED WITH THIS WORK SHALL BE INCLUDED IN UNIT PRICES FOR THE APPROPRIATE STORM SEWER ITEMS.

**PR STRM**




PR. STORM SEWER STRUCTURE TABLE					
STRUCTURE	UTILITY STATION	RIM	DEPTH	TYPE	INVERTS
R-38	17+75	862.28	11.78	5' MH Cover B	18" W 854.00 12" S 857.80 12" SW 858.00 12" NW 857.25 36" E 850.50
R-39	17+78	862.19	6.69	2' Inlet Cover K	6" W 857.75 12" SE 857.50
R-40	17+97	863.70	5.70	2' Inlet Cover K	12" NE 860.00
R-41	17+74	863.66	4.66	4' MH Cover B	12" E 859.00 12" S 859.85 12" N 859.00
R-42	17+66	863.46	3.46	2' Inlet Cover K	12" W 860.00
R-43	19+43	867.82	12.82	5' MH Cover B	12" SW 863.00 18" S 855.00 18" W 861.00 18" E 855.00
R-44	19+73	868.19	7.19	2' Inlet Cover K	18" E 863.00
R-45	19+56	868.98	7.48	2' Inlet Cover K	8" W 866.00 12" NE 863.50
R-46	19+50	869.43	7.43	2' Inlet Cover K	12" E 864.00
R-47	19+43	869.41	12.41	4' MH Cover B	18" S 863.30 12" E 859.50 12" W 863.00 18" N 859.00
R-48	19+23	868.48	10.48	2' Inlet Cover K	12" W 860.00
R-52	20+56	869.90	5.00	2' Leaching Inlet Cover K	
R-53	21+50	870.74	5.00	2' Leaching Inlet Cover K	

EX. STORM SEWER STRUCTURE TABLE					
STRUCTURE	ROAD STATION	RIM	DEPTH	TYPE	INVERTS
r21	8+33	862.97	5.60	Storm MH (Remove)	18" W 857.37 12" S 858.27 12" SW 858.17 18" E 857.37
r21a	8+09	863.64	3.70	Storm CB (Remove)	12" NE 859.94
r22	8+34	863.87	4.20	Storm MH (Remove)	12" E 859.87 12" S 859.87 12" N 859.67
r22a	8+43	863.25	2.20	Storm CB (Remove)	12" W 861.05
r23	6+65	868.59	7.50	Storm MH (Remove)	12" W 861.49 12" NW 863.39 12" SW 863.19 12" S 863.19 12" SE 862.99 18" S 863.29 18" E 861.09
r23a	6+53	869.37	5.30	Storm CB (Remove)	12" N 866.07
r23b	6+36	869.15	3.00	Storm CB (Remove)	12" NE 866.15
r23c	6+36	868.27	2.80	Storm CB (Remove)	12" SE 865.47
r24	6+88	868.67	5.40	Storm MH (Remove)	12" SW 865.27 12" NW 865.57
r24a	6+84	868.32	2.40	Storm CB (Remove)	12" NE 865.92


BM 10 Elev. 871.84  
RR SPIKE IN S. SIDE POWER POLE ON THE N. SIDE OF MADISON, 1ST POLE W. OF FIFTH

BM 9 Elev. 863.57  
RR SPIKE IN S. SIDE POWER POLE ON THE N. SIDE OF MADISON, OPPOSITE TURNER PARK CT.



Know what's below.  
Call before you dig.

BY	IVK	IVK	IVK	IVK	IVK	IVK	IVK	IVK	IVK
CEC	DPF/CEC	DPF/CEC	DPF/CEC	DPF/CEC	DPF/CEC	DPF/CEC	DPF/CEC	DPF/CEC	DPF/CEC
04-30-13	4-16-13	4-16-13	4-16-13	4-16-13	4-16-13	4-16-13	4-16-13	4-16-13	4-16-13
ADDENDUM 1	OUT FOR BID	MOEQ SUBMITTAL	DATE	DRAWN	CHECKED	REV.	DESCRIPTION	REV.	DESCRIPTION
02	01	00							



**CITY OF ANN ARBOR**  
PUBLIC SERVICES  
301 EAST HURON STREET  
PO BOX 8647  
ANN ARBOR MI 48106-0867  
www.a2gov.org

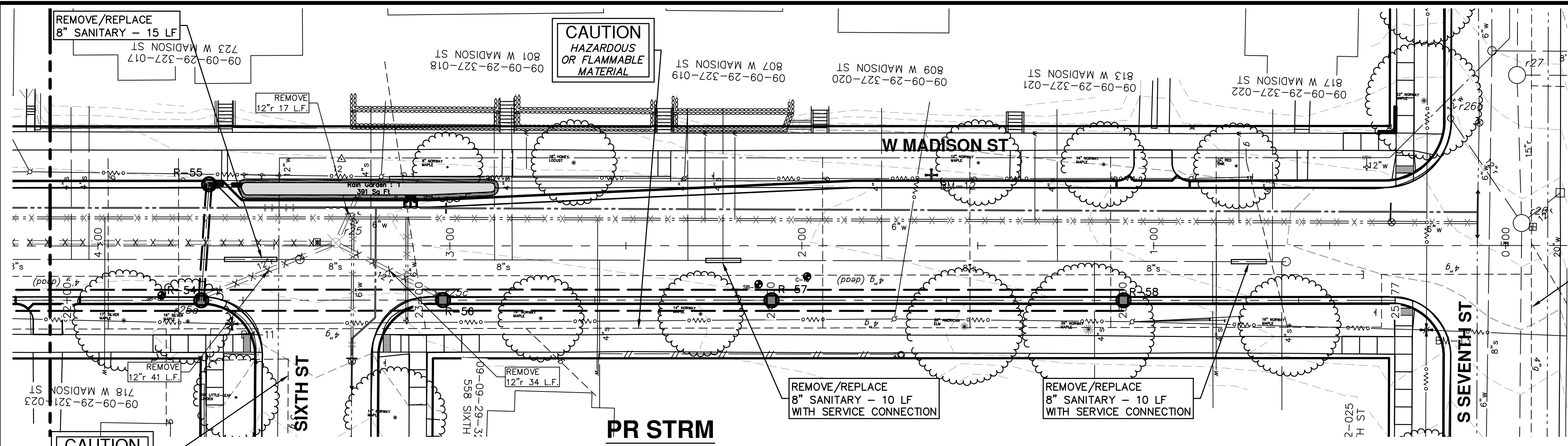
**PROJECT MANAGEMENT - PUBLIC SERVICES - CITY OF ANN ARBOR**  
WEST MADISON STREET IMPROVEMENTS  
STORM SEWER  
STA. 17+35 TO STA. 21+95

SCALE PLAN: 1" = 20'  
PROFILE: 1" = 2'

DRAWING No. **2012027-30**

SHEET No. **30 OF 49**

S:\Project Management\Design\2012027 Madison\Plan Production\Primary\20120275TRM.dwg Dwg Created: 7-Sep-12 - \_a2\_standard bw.stb - Plot Date: 30-Apr-13

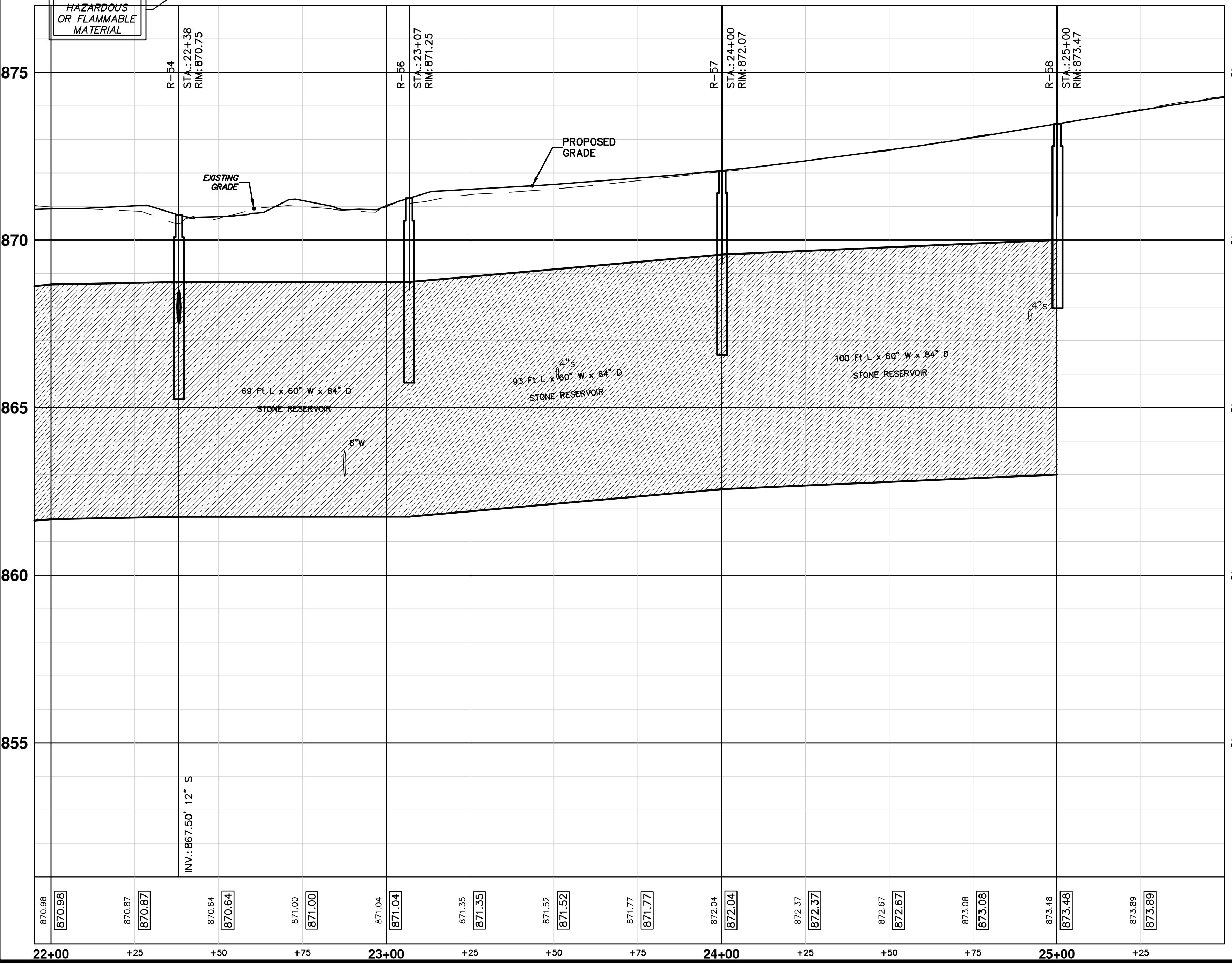


**PR. STORM SEWER STRUCTURE TABLE**

STRUCTURE	UTILITY STATION	RIM	DEPTH	TYPE	INVERTS
R-54	22+38	870.75	5.00	2' Leaching Inlet Cover K	12" S 867.50
R-55	22+40	871.81	5.81	2' Inlet Cover K	8" W 868.33 12" N 868.00
R-56	23+07	871.25	5.00	2' Leaching Inlet Cover K	
R-57	24+00	872.07	5.00	2' Leaching Inlet Cover K	
R-58	25+00	873.47	5.00	2' Leaching Inlet Cover K	

**EX. STORM SEWER STRUCTURE TABLE**

STRUCTURE	ROAD STATION	RIM	DEPTH	TYPE	INVERTS
r25	3+32	871.83	5.10	Storm MH (Remove)	12" NW 866.83 12" NE 866.93 12" SW 866.93 12" E 866.73
r25a	3+71	870.56	4.10	Storm CB	12" SW 868.46
r25b	3+25	871.73	3.00	Storm CB	12" NE 868.73
r25c	3+02	870.92	3.19	Storm CB	12" SE 867.72



THE CONTRACTOR SHALL SUBMIT TEMPORARY DRAINAGE CONTROL PLAN FOR MAINTAINING STORM RUN-OFF FROM STAGE 1 CONSTRUCTION UNTIL CONSTRUCTION OF STORM SYSTEM IN STAGE 2 IS COMPLETE. COSTS ASSOCIATED WITH THIS WORK SHALL BE INCLUDED IN UNIT PRICES FOR THE APPROPRIATE STORM SEWER ITEMS.

**BM 13** Elev. 875.65  
RR SPIKE IN S. SIDE POWER POLE ON THE NE CORNER OF MADISON AND SEVENTH

**BM 12** ELEV. 874.60  
NAIL IN N. SIDE GUY POLE ON THE S SIDE OF MADISON AT HOUSE # 809

**BM 11** Elev. 872.05  
LARGE PK NAIL IN S. SIDE POWER POLE ON THE NE CORNER OF MADISON AND SIXTH

**811**  
Know what's below.  
Call before you dig.

IVK	IVK	IVK	IVK	IVK	IVK	IVK	IVK	IVK	IVK
04-30-13	CEC	DPF/CEC	DPF/CEC	DPF/CEC	DPF/CEC	DPF/CEC	DPF/CEC	DPF/CEC	DPF/CEC
DATE	DATE	DATE	DATE	DATE	DATE	DATE	DATE	DATE	DATE
02	ADDENDUM 1	01	OUT FOR BID	00	MOEQ SUBMITTAL	00	REV.		

**CITY OF ANN ARBOR**  
PUBLIC SERVICES  
301 EAST HURON STREET  
ANN ARBOR, MI 48106-1500  
www.a2gov.org

**PROJECT MANAGEMENT - PUBLIC SERVICES - CITY OF ANN ARBOR**  
WEST MADISON STREET IMPROVEMENTS  
STORM SEWER

STA. 21+95 TO STA. 25+00

SCALE PLAN: 1" = 20'  
PROFILE: 1" = 2'

DRAWING No. **2012027-31**

SHEET No. **31 OF 49**