

PROJECT LOCATION MAP  
NOT TO SCALE  
PROJECT LOCATION  
1010 HURON RIVER DRIVE  
ANN ARBOR, MI 48103

CITY OF ANN ARBOR

# BARTON DAM RIGHT EMBANKMENT DRAINAGE BLANKET INSTALLATION

ITB#:4292

BID SET-AUGUST 2013

Stantec Project Number: 2075116500

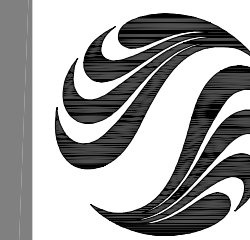
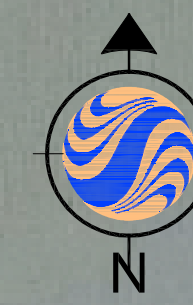
Ferc Project No. 3142

MDEQ File No. 13-81-0016-P

DRAWING INDEX:

DWG	SHEET	TITLE
G-100	01	COVER SHEET
C-101	02	SITE PLAN
C-102	03	DETAILS





**Stantec**

Stantec Consulting Michigan Inc.  
3754 Ranchero Drive  
Ann Arbor MI U.S.A.  
48108-2771  
Tel. 734.761.1010  
Fax. 734.761.1200  
www.stantec.com

Copyright Reserved

The Contractor shall verify and be responsible for all dimensions. DO NOT scale the drawing - any errors or omissions shall be reported to Stantec without delay.  
The Copyrights to all designs and drawings are the property of Stantec. Reproduction or use for any purpose other than that authorized by Stantec is forbidden.

Consultants

Legend

— SILT FENCE

Notes

100 YEAR FLOODPLAIN: ELEV. 779.0

Notes

100 YEAR FLOODPLAIN: ELEV. 779.0

Revision	By	Appd.	YY.MM.DD
C FOR BID	DMD	GRW	13.08.01
B BID SET	DMD	GRW	13.05.01
A FERC REVIEW SET	DMD	GRW	13.04.01
Issued	By	Appd.	YY.MM.DD

File Name:	116500C-101.DWG	FA	GW	DD	13.03.14
		Dem.	Chkd.	Dsgn.	YY.MM.DD

Permit-Seal

Client/Project

CITY OF ANN ARBOR

**BARTON DAM-RIGHT EMBANKMENT  
DRAINAGE BLANKET INSTALLATION**  
Ann Arbor, Michigan

Title

**SITE PLAN**

Project No.

2075116500

Drawing No.

C-101

Scale

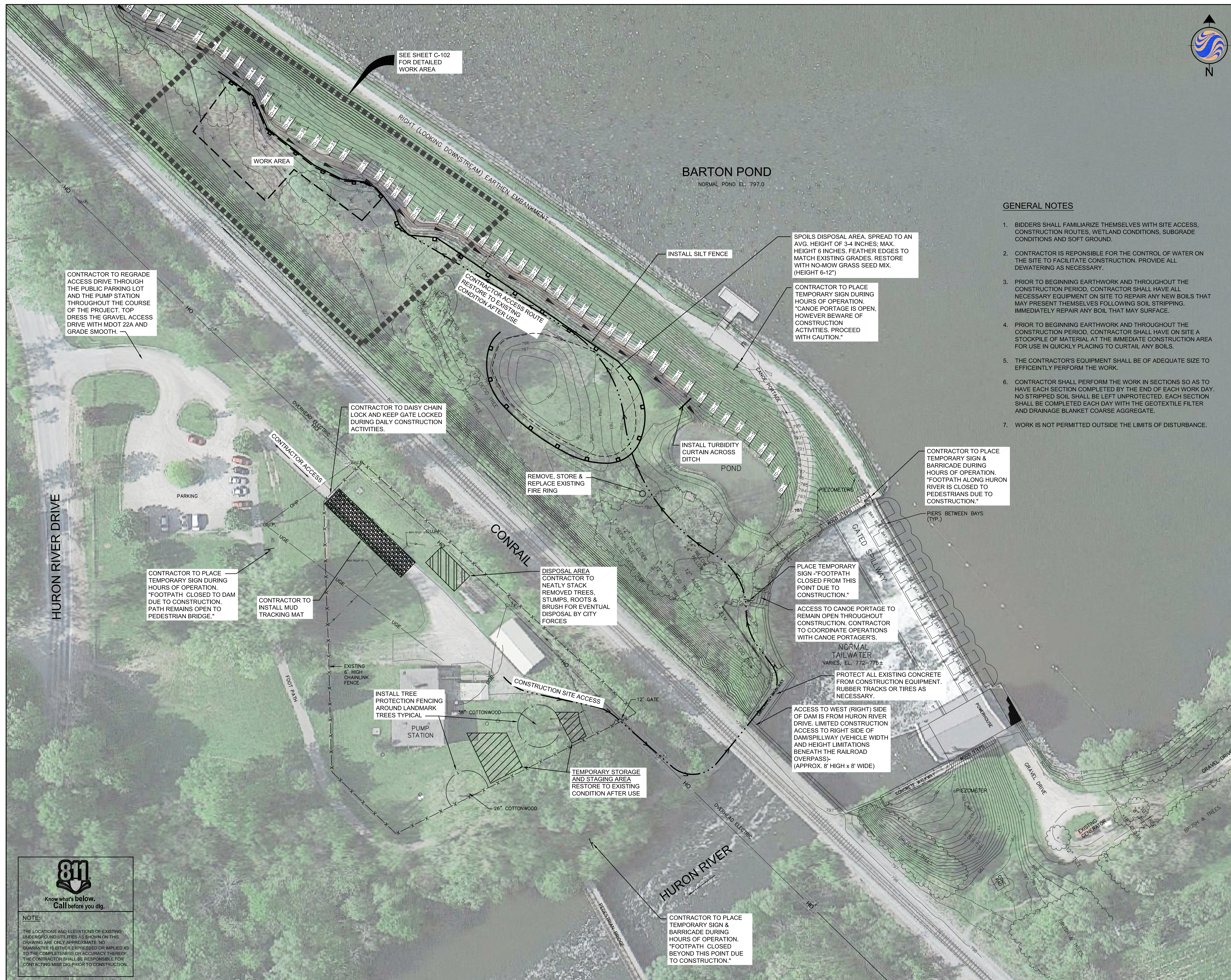
1:40

Sheet

2 of 3

Revision

0



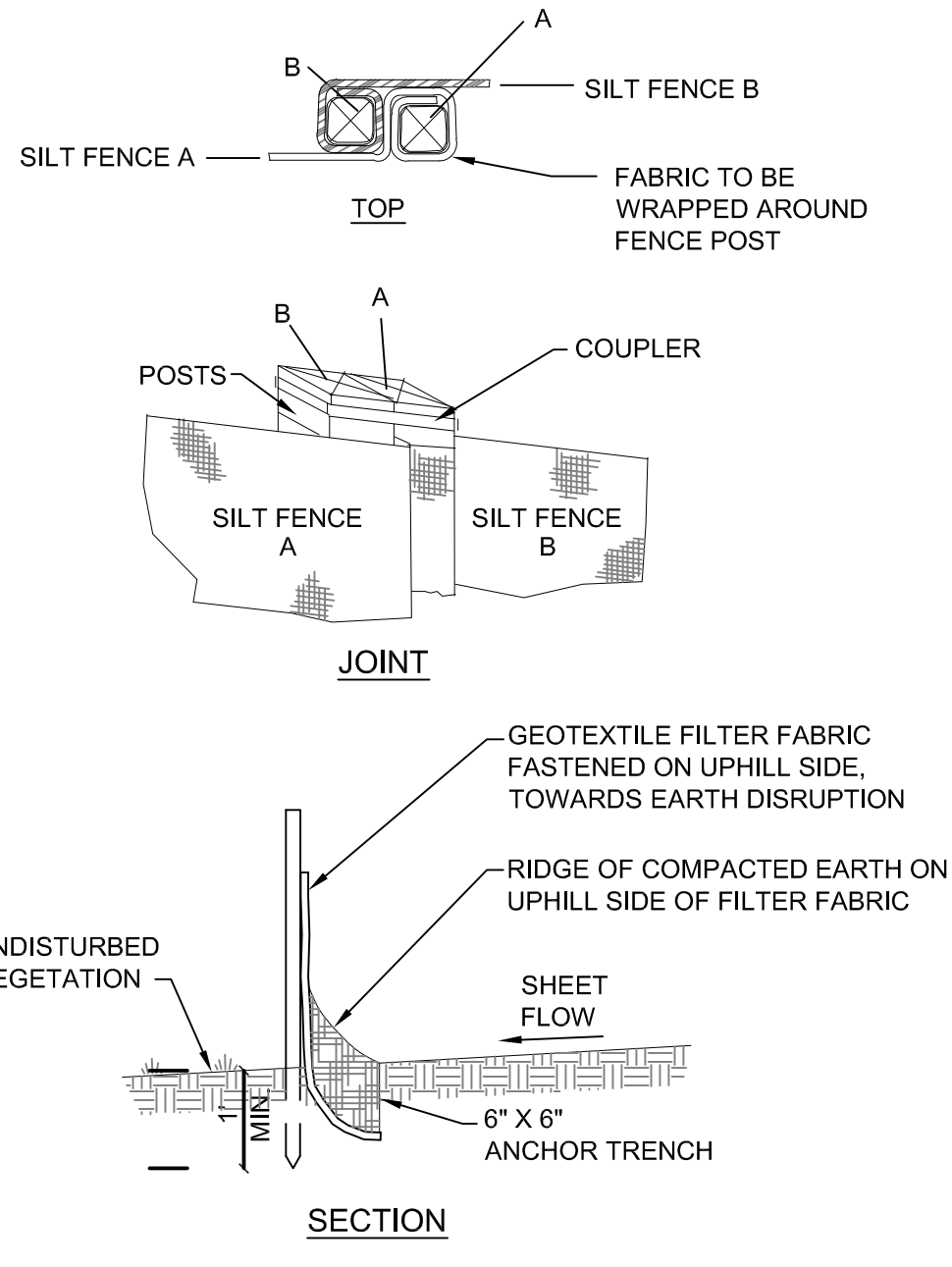
**811**  
Know what's below.  
Call before you dig.

**NOTE:**  
THE LOCATIONS AND ELEVATIONS OF EXISTING UNDERGROUND UTILITIES AS SHOWN ON THIS DRAWING ARE ONLY APPROXIMATE. NO GUARANTEE IS EITHER EXPRESSED OR IMPLIED AS TO THE COMPLETENESS OR ACCURACY THEREOF. THE CONTRACTOR SHALL BE RESPONSIBLE FOR CONTACTING MISS DIG PRIOR TO CONSTRUCTION.

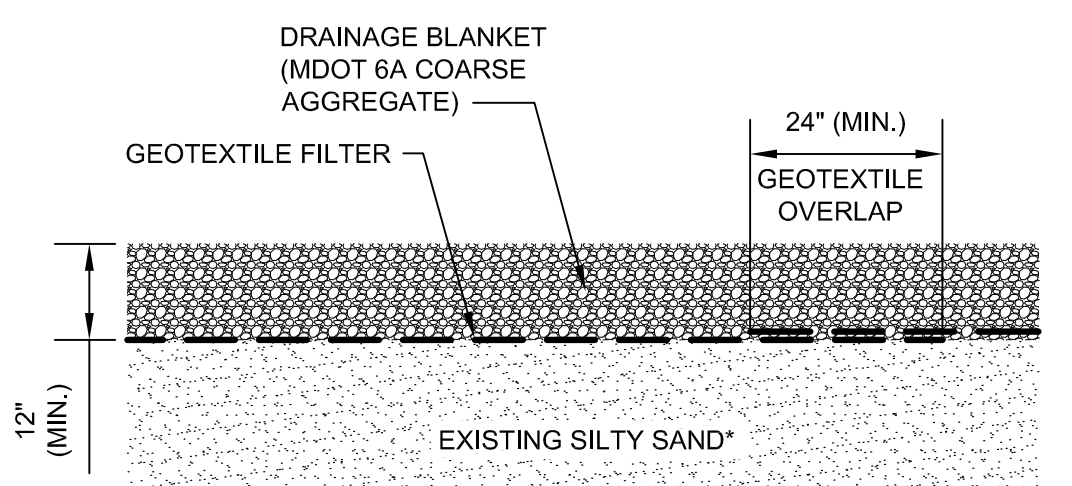
**GENERAL NOTES**

1. BIDDERS SHALL FAMILIARIZE THEMSELVES WITH SITE ACCESS, CONSTRUCTION ROUTES, WETLAND CONDITIONS, SUBGRADE CONDITIONS AND SOFT GROUND.
2. CONTRACTOR IS RESPONSIBLE FOR THE CONTROL OF WATER ON THE SITE TO FACILITATE CONSTRUCTION. PROVIDE ALL DEWATERING AS NECESSARY.
3. PRIOR TO BEGINNING EARTHWORK AND THROUGHOUT THE CONSTRUCTION PERIOD, CONTRACTOR SHALL HAVE ALL NECESSARY EQUIPMENT ON SITE TO REPAIR ANY NEW BOILS THAT MAY PRESENT THEMSELVES FOLLOWING SOIL STRIPPING. IMMEDIATELY REPAIR ANY BOIL THAT MAY SURFACE.
4. PRIOR TO BEGINNING EARTHWORK AND THROUGHOUT THE CONSTRUCTION PERIOD, CONTRACTOR SHALL HAVE ON SITE A STOCKPILE OF MATERIAL AT THE IMMEDIATE CONSTRUCTION AREA FOR USE IN QUICKLY PLACING TO CURTAIL ANY BOILS.
5. THE CONTRACTOR'S EQUIPMENT SHALL BE OF ADEQUATE SIZE TO EFFICIENTLY PERFORM THE WORK.
6. CONTRACTOR SHALL PERFORM THE WORK IN SECTIONS SO AS TO HAVE EACH SECTION COMPLETED BY THE END OF EACH WORK DAY. NO STRIPPED SOIL SHALL BE LEFT UNPROTECTED. EACH SECTION SHALL BE COMPLETED EACH DAY WITH THE GEOTEXTILE FILTER AND DRAINAGE BLANKET COARSE AGGREGATE.
7. WORK IS NOT PERMITTED OUTSIDE THE LIMITS OF DISTURBANCE.



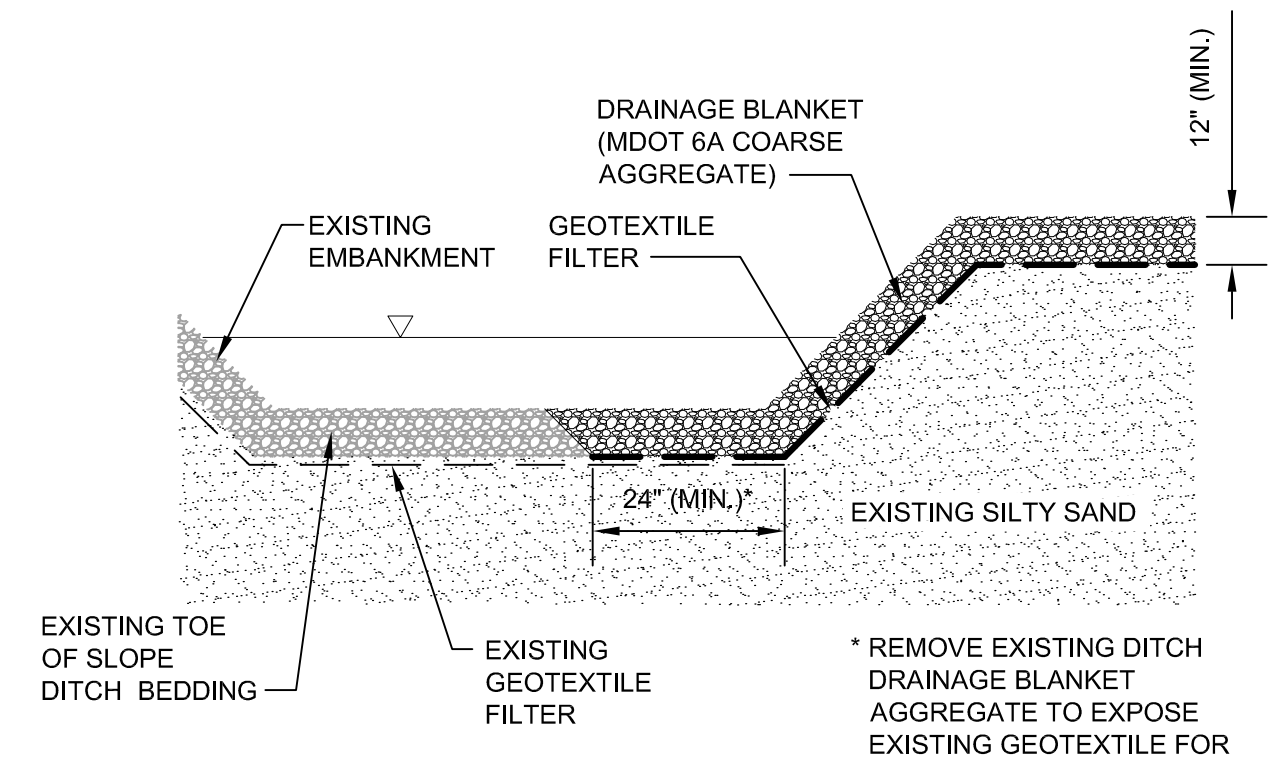


**SILT FENCE INSTALLATION**  
NOT TO SCALE



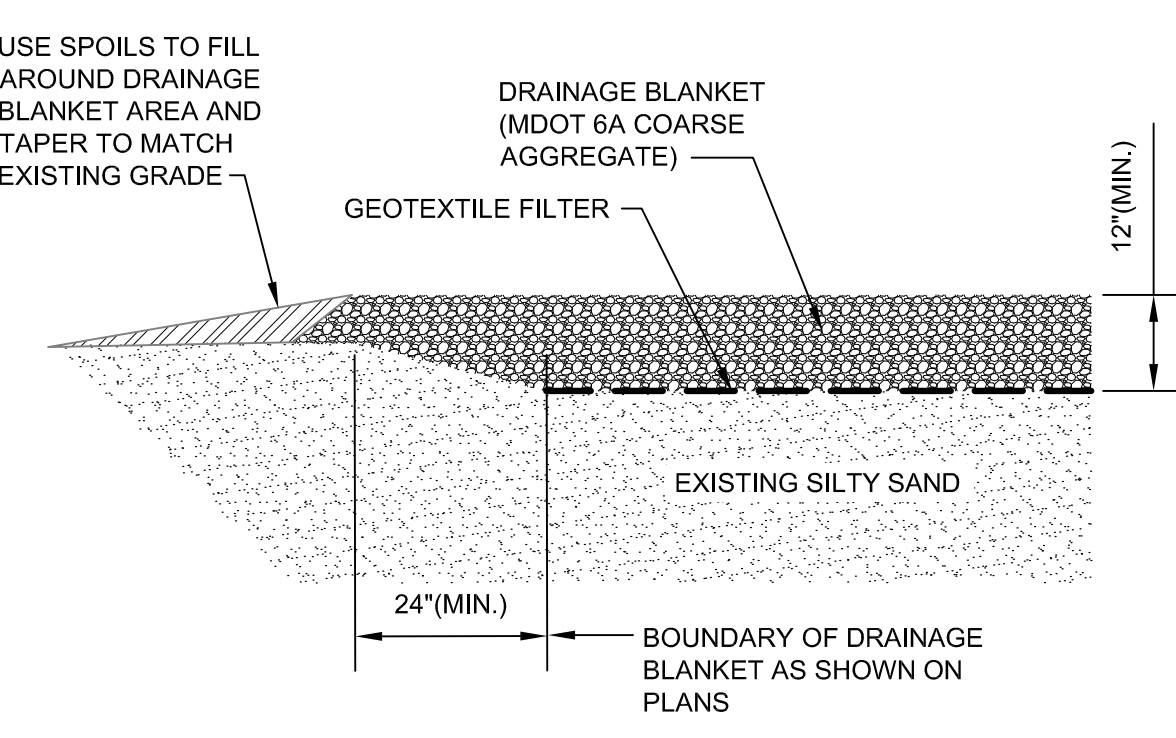
\* AFTER CLEARING & GRUBBING REMOVE TOPSOIL OR TOP 6 INCHES OF EXISTING SILTY SAND, WHICHEVER IS LESS, PRIOR TO PLACING DRAINAGE BLANKET.

**TYPICAL DRAINAGE BLANKET DETAIL**  
N.T.S.

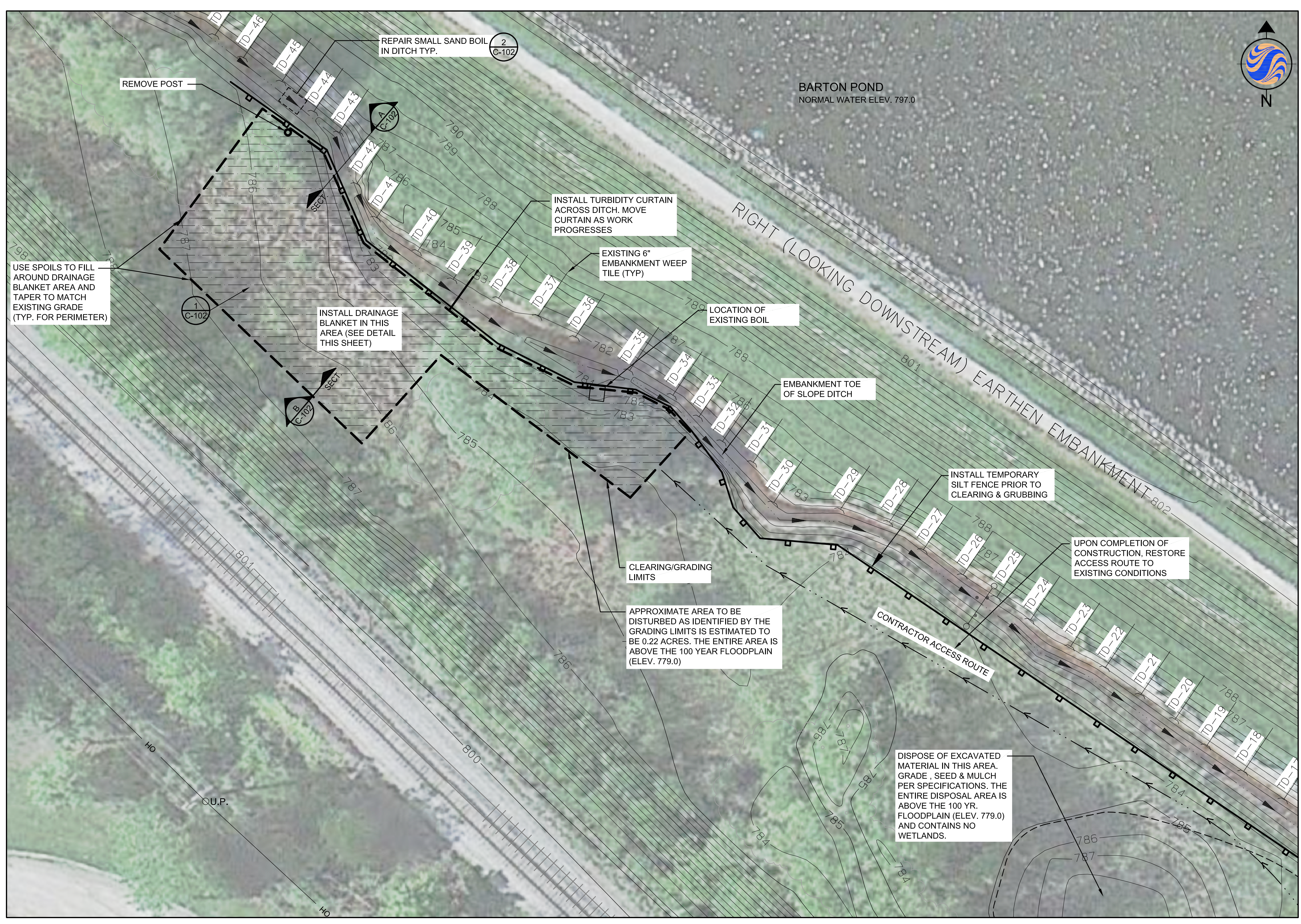


\* REMOVE EXISTING DITCH DRAINAGE BLANKET AGGREGATE TO EXPOSE EXISTING GEOTEXTILE FOR 24" OVERLAP.

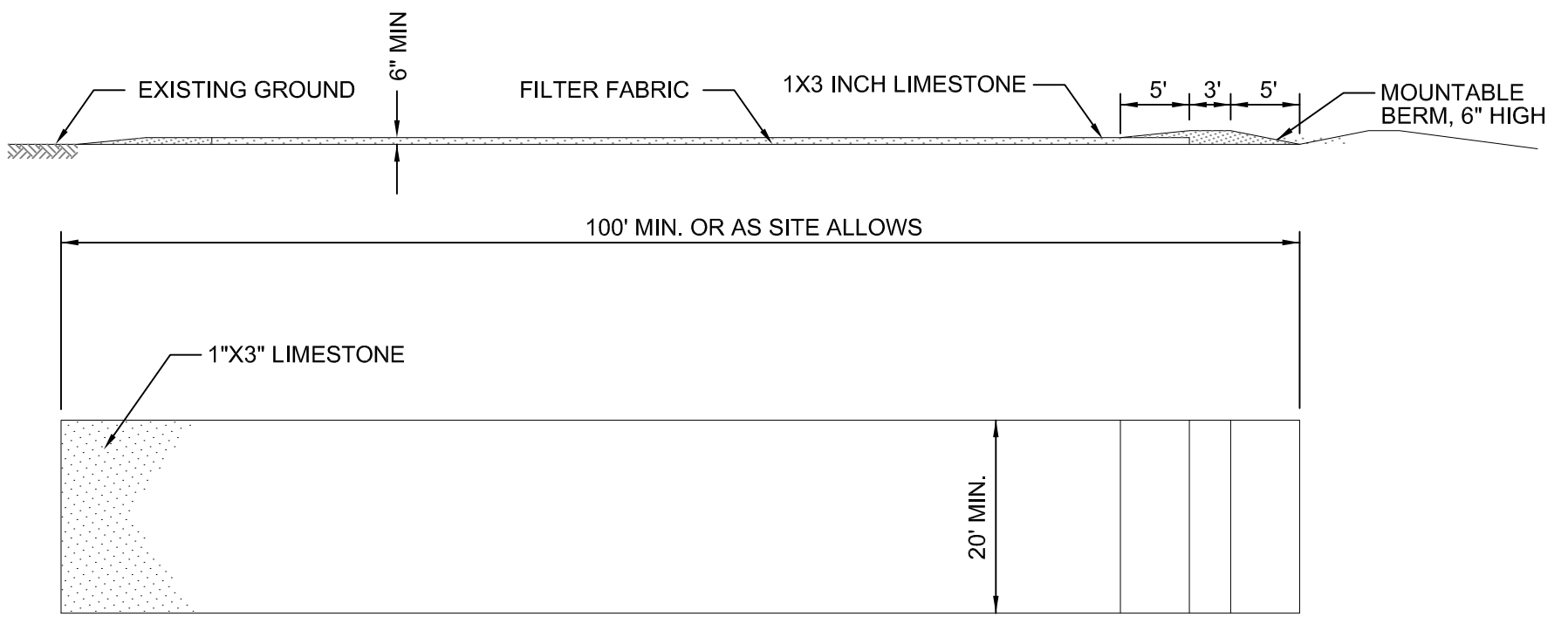
**SECTION - DRAINAGE BLANKET DITCH TERMINATION**  
N.T.S.  
(TYPICAL TOE DRAIN 33 TO 45)



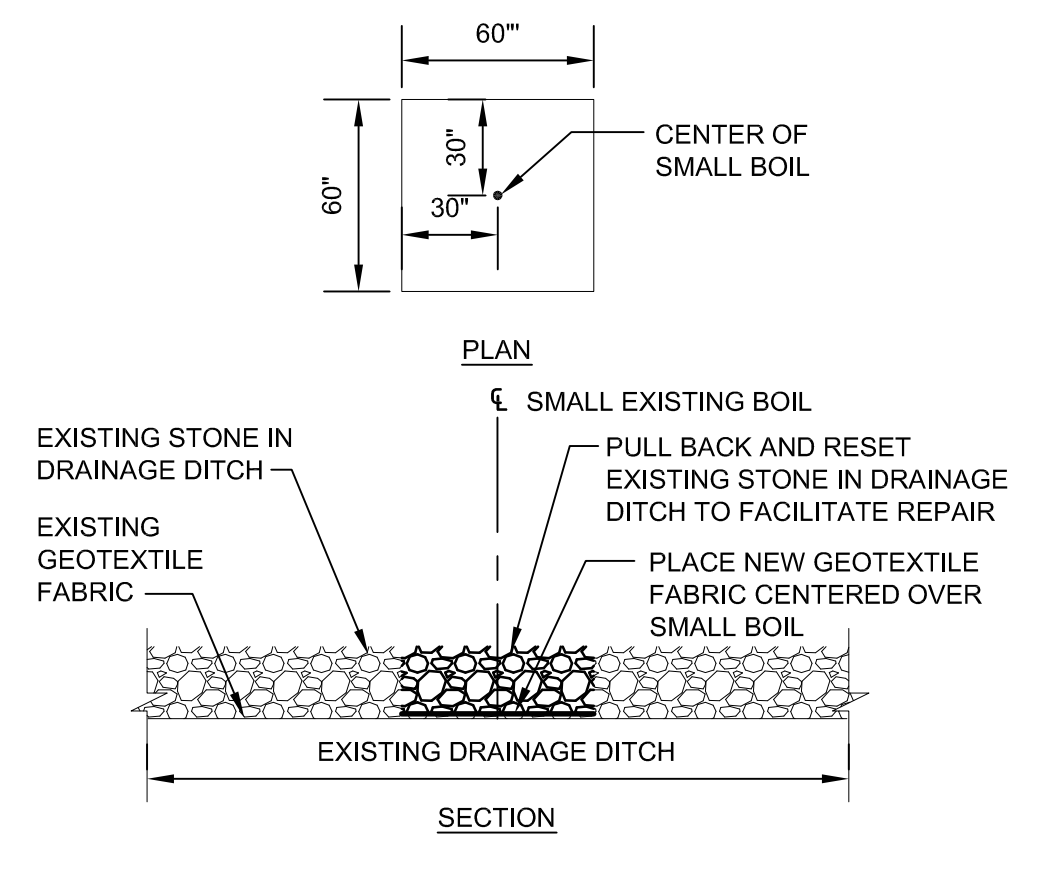
**SECTION - DRAINAGE BLANKET LAND TERMINATION**  
N.T.S.  
(TYPICAL FULL LENGTH OF BLANKET)



**DETAILED SITE PLAN**  
SCALE: 1" = 20'-0"



**MUD TRACKING ROAD (MUD MAT) DETAIL**  
N.T.S.



**TYPICAL EXISTING DRAINAGE BLANKET REPAIR DETAIL**  
N.T.S. (ASSUME QUANTITY OF 4 FOR BIDDING PURPOSES)

**811**  
Know what's below.  
Call before you dig.

**NOTE:**  
THE LOCATIONS AND ELEVATIONS OF EXISTING UNDERGROUND UTILITIES AS SHOWN ON THIS DRAWING ARE ONLY APPROXIMATE. NO GUARANTEE IS EITHER EXPRESSED OR IMPLIED AS TO THE COMPLETENESS OR ACCURACY THEREOF. THE CONTRACTOR SHALL BE RESPONSIBLE FOR CONTACTING MISS DIG PRIOR TO CONSTRUCTION.

Copyright Reserved  
The Contractor shall verify and be responsible for all dimensions. DO NOT scale the drawing - any errors or omissions shall be reported to Stantec without delay.  
The Copyrights to all designs and drawings are the property of Stantec. Reproduction or use for any purpose other than that authorized by Stantec is forbidden.

Consultants  
Legend  
SILT FENCE

Notes

Revision	By	Appd.	YY/MM/DD
C FOR BID	DMD	GRW	13.08.01
B BID SET	DMD	GRW	13.05.01
A FERC REVIEW SET	DMD	GRW	13.04.01
Issued			

File Name:	FA	GW	DD	13.03.14
116500C-102.DWG				

Permit-Seal  
Client/Project  
**CITY OF ANN ARBOR**

**BARTON DAM-RIGHT EMBANKMENT DRAINAGE BLANKET INSTALLATION**  
Ann Arbor, Michigan

Title  
**DETAILS**

Project No.	Scale	Sheet	Revision
2075116500	1:20	3 of 3	0